

BM4474B

**BMW 1 Series (F20/F21)(From 2011), 2 Series (F22/F23)(From 2014),
3 Ser. (F30/F31)(From 2012), 3 Ser. GT (F34)(From 2013), 4 Ser. (F32/F33/F36)(From 2013)**
Type Approval Number E11*55R02/02*13060*00

COMPONENTS		
ITEM	QTY	DESCRIPTION
A	1	Towbar
B	1	Towbar Neck (ZCP4002)
B1	2	Spacer Blocks (ZMSB12.5)
EP	1	Retractable Electrical Mtg Bracket (ZM1490)

BOLT PACK		
ITEM	QTY	DESCRIPTION
C	2	M16 x 50 Bolts, Nuts, Washers & Caps
D	2	M12 x 100 Bolts & Nyloc Nuts

FITTING PROCEDURE

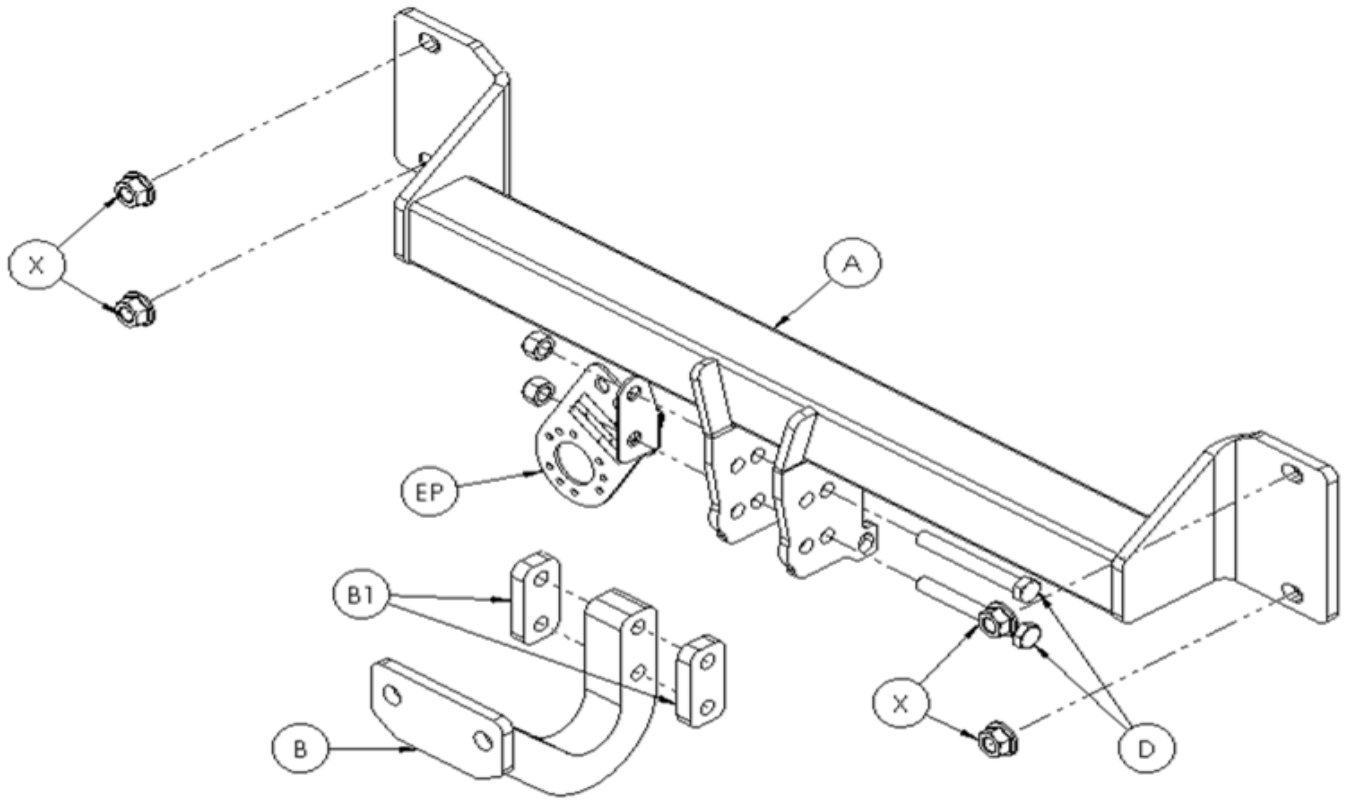
- ⇒ **1 & 2 Series:** Open boot hatch and carefully remove the plastic trim on the inboard edge of each light cluster. Remove 1x nut (1 Series) or 2x nut (2 Series) on each, pull rearward and disconnect wiring harness. Remove 3x torx screws along perimeter of each wheelarch, pull back edge of liner and remove 1x bolt at each tip. Remove 6x bolts on underside of bumper. Pull bumper rearward (Release clips in light cluster area). Disconnect harness for reversing sensors (if fitted).
- ⇒ **3 & 4 Series:** Open boot and carefully remove the plastic trim on the inboard edge of each light cluster (Secured by a plastic screw on certain models). Remove cluster (2x nuts on each) pull rearward and disconnect wiring harness. Remove 1x exposed bolt under each. Remove 2x bolts along perimeter of each wheelarch, pull back edge of liner and remove 1x bolt at each tip. Remove 9x bolts (3 & 4 Series) or 10x bolts (3 Series GT) on underside of bumper. Pull bumper rearward (Release clips in light cluster area). Disconnect harness for reversing sensors (if fitted).
- ⇒ On 3 & 4 Series models, lower undertray (If fitted) & make an incision as illustrated. Certain models have a heatshield in this position that will need trimming to install around the towbar - Ensure no sharp edges are present.
- ⇒ Remove bumper impact beam & retain, leaving in place the foam gaskets covering the chassis openings. Place towbar (**A**) and bumper impact beam over existing mounting studs and loosely attach using existing nuts (**X**). It is recommended a suitable thread lock is used. Fully tighten nuts (**X**). Seal around perimeter of towbar plates to prevent water ingress.
- ⇒ Raise undertray & refit bumper / rear light clusters. On 1 Series models it will be necessary to trim the plastic rib on the inside face of the bumper directly below the towing eye access hole (RHS), and in the corresponding position on the left hand side.
- ⇒ Attach towbar neck (**B**) & electrical mounting bracket (**EP**) to towbar (**A**) using bolts (**D**), with 1 spacer block (**B1**) at each side of towbar neck (**B**). **NOTE: Ensure neck is installed in the correct position representative to vehicle.** (3 Series GT Models (F34) use the position giving the greatest standout; All other models use the position giving the shorter standout). **The electrical mounting bracket carries type approval information required by law and must always be fitted as shown.** Tighten bolts ensuring the faceplate remains vertical.

TIGHTEN ALL BOLTS USING THE FOLLOWING TORQUE SETTINGS

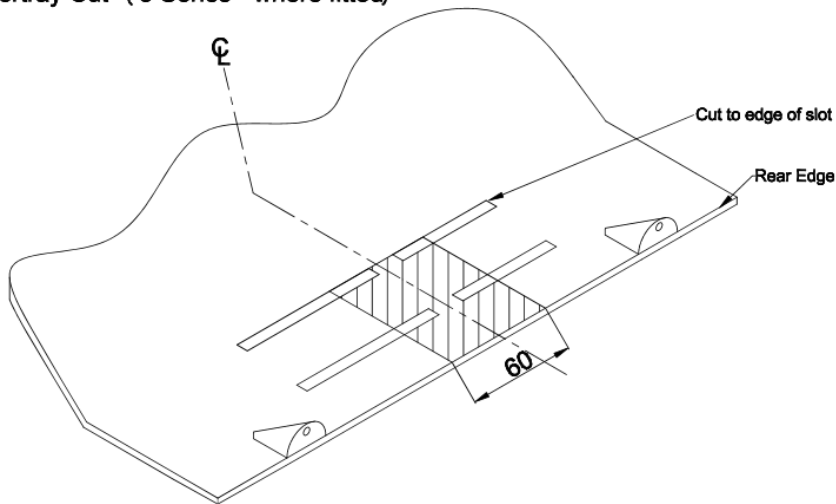
ISO Coarse Pitch: M8=25Nm, M10=51Nm, M12=92Nm, M14=140Nm, M16=215Nm **ISO Fine Pitch:** M8=28Nm, M10=54Nm, M12=96Nm, M14=150Nm

THE VEHICLE MANUFACTURER'S SPECIFICATION FOR THE TRAILER WEIGHT AND NOSE LOAD LIMITS MUST BE OBSERVED.

FITTING DIAGRAM



Undertray Cut (3 Series - where fitted)



3 Series GT (F34) - Mount Neck At This Position

All Other Models - Mount Neck At This Position

IMPORTANT PRODUCT INFORMATION & GUARANTEE

(TO BE RETAINED WITH THE VEHICLE AND PASSED TO SUBSEQUENT OWNERS)

Thank you for purchasing a PCT Automotive product. Please read the following information carefully before fitting or using your PCT Automotive product.

GUARANTEE

We shall free of charge either repair or at our option replace defective goods where the defects appear

- i. if the goods are a towbar manufactured by us, during the economic lifetime of the vehicle it was first fitted to
- ii. in the case of all other products manufactured by us, within 3 years following the date of your order
- iii. in the case of a product not manufactured by us, we will pass on any warranty offered to us by the manufacturer of that product or component

PROVIDED THAT (in each case) such defects shall be found to our reasonable satisfaction to have arisen substantially from our faulty design, workmanship or materials and have not arisen by reason of a failure to follow our instructions (whether written or oral), any modification, misuse, neglect or interference with the installation, any damage or abuse to the goods or vehicle by impact or vandalism or by a failure to carry out reasonable inspection, maintenance and/or adjustment. At all times, the above guarantee is subject to our standard terms and conditions of sale a copy of which is available upon request from our offices.

TOWING LIMITS

Our towbars have been designed for towing up to the vehicle manufacturer's maximum recommended trailer weight and nose load limits for your model. Towing with gross weights above that recommended at any time will invalidate the guarantee and cancel any liability for damage. Towing a twin axle trailer, towing over rough ground or using a bicycle/motorcycle carrier, etc, exerts extreme loads on to a towbar and extra care should be taken in these situations not to exceed the vehicle manufacturer's maximum recommended limits.

PRODUCT IDENTIFICATION MARK

Your product carries a product identification mark. This mark carries important product and batch code information and if the product is type approved it also carries the type approval details which are required by law. Under no circumstances should this mark be defaced, removed or damaged.

INSTALLATION, INSPECTION, MAINTENANCE AND ADJUSTMENT

GENERAL INSTALLATION

- ⇒ All products should only be fitted by competent persons. Electrical products must only be fitted by an experienced auto-electrician.
- ⇒ Read the product fitting instructions carefully and check all components are included in the fitting kit before commencing installation.
- ⇒ Check vehicle for corrosion and/or accident damage. Towbars should not be fitted to any vehicle suffering from corrosion or accident damage or which is not in a roadworthy condition.
- ⇒ Clean off all road dirt, underseal and sound deadening mastic where parts are to fit to ensure correct seating of all components.
- ⇒ Bumper cut information is given as a guide only. Variations in models may occur therefore the fitter should always check that the bumper cut is necessary and of the correct size and shape before commencing with the cut.
- ⇒ All drilling swarf should be removed from the vehicle and all holes drilled in the vehicle should be treated with an appropriate rust inhibitor.
- ⇒ Do not fully tighten bolts before towbar is completely fitted unless instructed to do so in the fitting instruction, this will allow some variances to be overcome before final tightening of bolts.

PAINT & CORROSION

Towbars manufactured by PCT Automotive undergo a phosphate chemical pre-treatment prior to a finishing coat being applied. For long lasting good looks and in order to prevent corrosion the towbar should be regularly inspected for paint damage and wherever necessary re-painted in an appropriate finishing paint or underseal. The vehicle should also be regularly checked for any corrosion that could affect the towbar installation. Towbars should not be used on any vehicle suffering from corrosion that could affect the towbar installation.

BOLTS

All towbar fixing bolts should be checked initially after the first 300 towing miles, or the initial 500 miles of driving uncoupled, and then every 3,000 towing miles or to coincide with the vehicle manufacturer's recommended service intervals, whichever is the sooner. All towbar fixing bolts should be tightened using an appropriate torque wrench to the settings specified in the towbar fitting instruction.

ELECTRICAL INSTALLATION, TEST/COMMISSIONING AND MAINTENANCE

Failure to comply with the following instructions may cause damage to the towing vehicle's wiring loom and/or towing electrics installation.

Where displacement tap connectors e.g. Scotchlocks, are the preferred method of connection, always use the correct colour coded tap connector for the size of cable to which it is to be connected. All towing relays and modules manufactured by PCT Automotive have cabling with a copper cross-sectional area in the range 0.5mm² to 1mm².

After installation of the 12N/12S/13Pin sockets, prior to testing, a water displacement agent e.g. WD40 should be applied into the rear connection void through the water drain hole at the bottom of the sockets and also into the front pins under the socket flap. This socket maintenance should be carried out at least twice a year in the spring and autumn.

The towing electrics test procedure must be undertaken with the engine running. If any of the towing relays fail to function correctly, with the engine running and no other vehicle electrical systems turned on, check that the voltage across the vehicle's battery is between 13V and 14V approx, if this voltage is not correct, check the condition of the vehicle's battery/alternator.

Always ensure that the trailer/caravan/lighting board's own electrical systems are installed and functioning correctly before coupling to the vehicle's 12N/12S/13Pin sockets.

Every six months (spring and autumn recommended) the battery and alternator of the vehicle should be checked to determine correct electrical functioning. All connections of the electrical installation including the earth should be checked for mechanical soundness and electrical quality. Plugs, sockets, relays and fixings should be checked for water ingress, mechanical soundness, electrical quality and general wear and tear.

Please complete the following information to validate the guarantee and for future reference.

VEHICLE OWNER NAME & ADDRESS:

VEHICLE MAKE & MODEL:

VEHICLE REGISTRATION NUMBER:

FITTER NAME & ADDRESS:

DATE TOWBAR FITTED:

If you have any comments or suggestions about the PCT Automotive product fitted to your vehicle, please address them to PCT Automotive Limited, New Street, Holbrook Industrial Estate, Sheffield S20 3GH or email techsupport@pctautomotive.com
Your comments will help us in our aim to continually upgrade our products to meet the high standards expected by our customers.