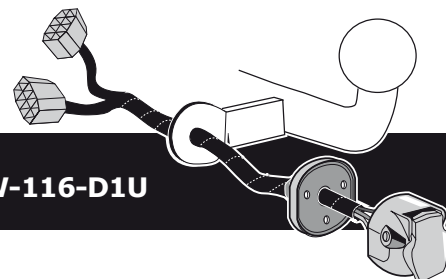


SEAT Altea 2004- & 2009-2012
SEAT Altea Free Track 2007- & 2009-2012
SEAT Altea XL 2006- & 2009-2012
SEAT Toledo 2005-2012
SEAT Leon 2005- & 2009-2012

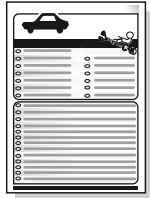
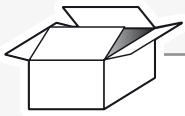


Partnr.: VW-116-D1U

- Fitting instructions electric wiring kit tow bar with 13-P socket up to DIN/ISO Norm 11446.
- We would expressly point out that assembly not carried out properly by a competent installer will result in cancellation of any right to damage compensation, in particular those arising by virtue of the product liability act.
- Contents of these kits and their fitting manuals are subject to alteration without notice, please ensure that these instructions are read and fully understood before commencing installation.
- Do not overload circuits; the maximum loads per connection are detailed in this manual.
- Attention! Before Installation, please read this manual carefully and inform your customer to consult the vehicle owners manual to check for any vehicle modifications required before towing.
- In the event of functional problems, troubleshooting must be limited to about 0.5 hours, contact the technical support:
ukts@ecs-electronics.com / 07440 202 052.



Part list



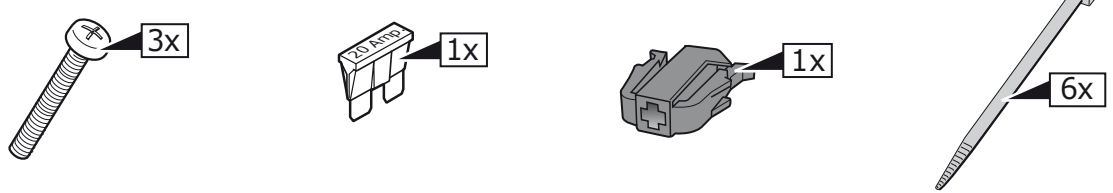
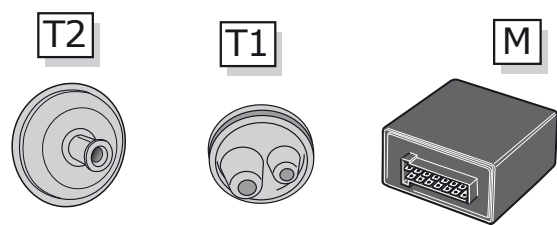
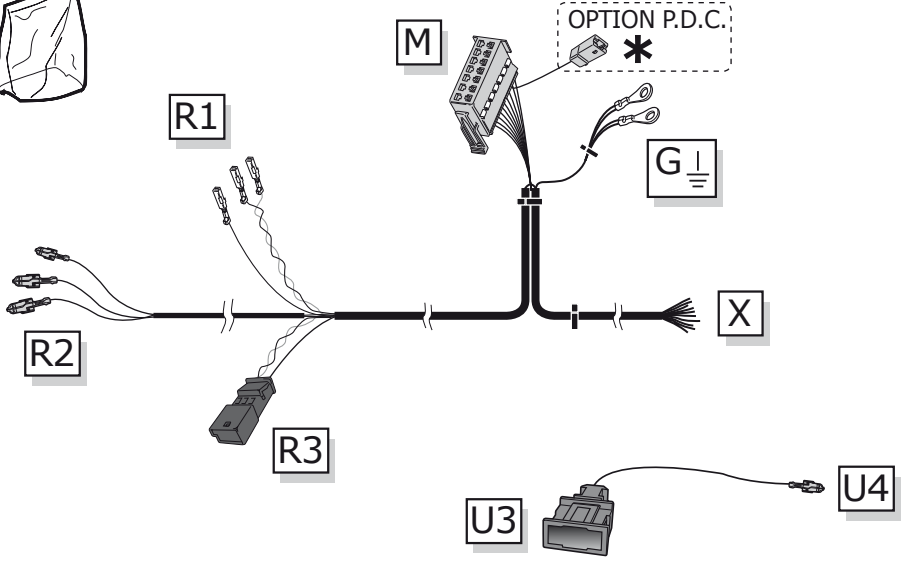
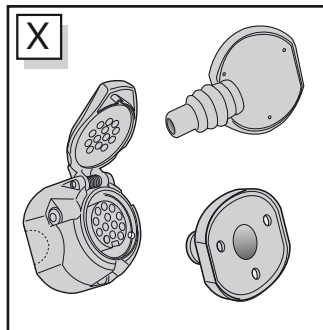
Option P.D.C. *

PARK DISTANCE CONTROL

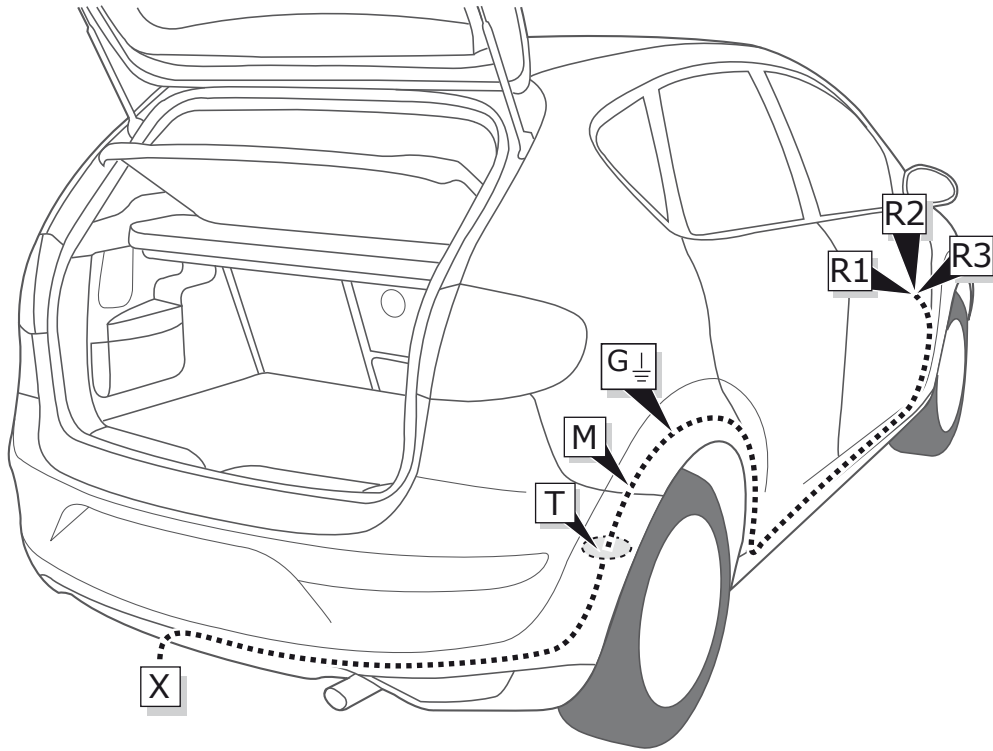
↓

PARK DISTANCE CONTROL

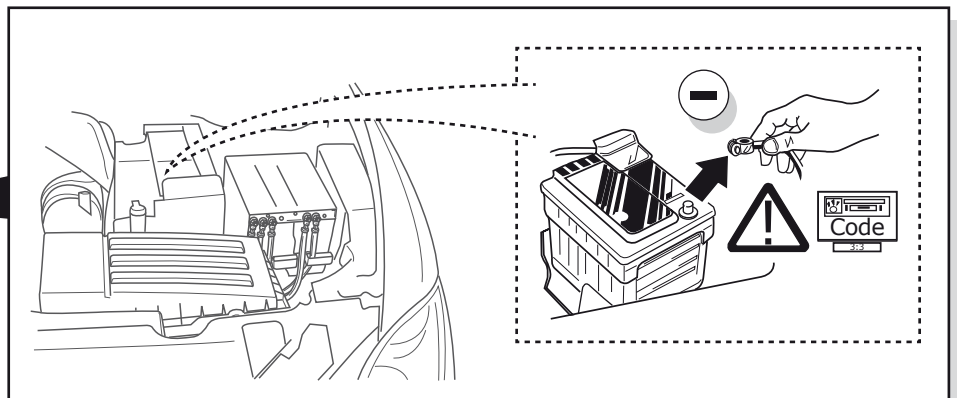
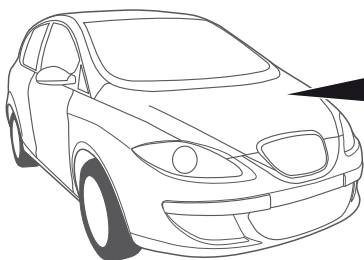
For not OEM P.D.C. System use the: VW-083-ZZ



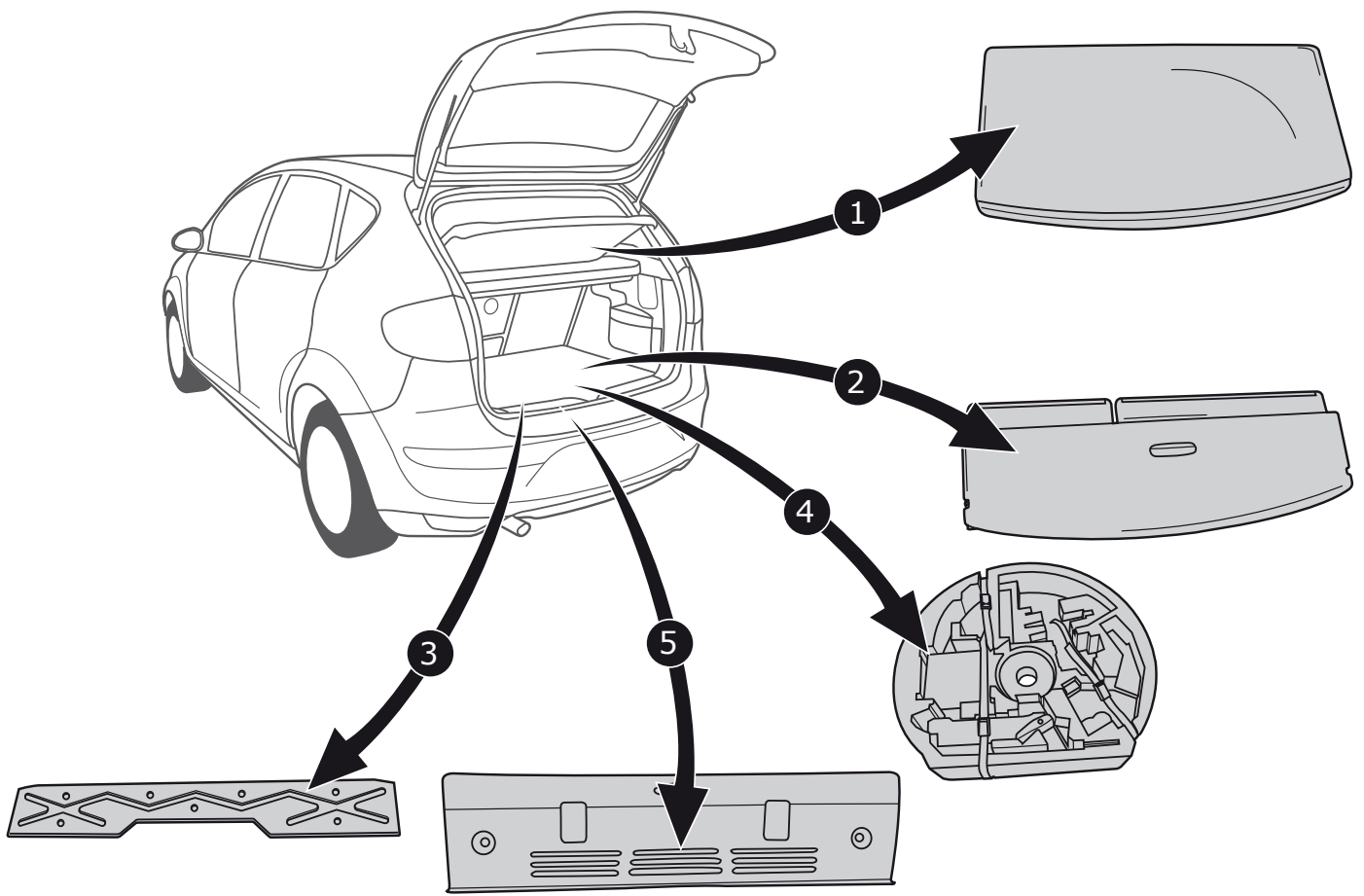
ROUTING



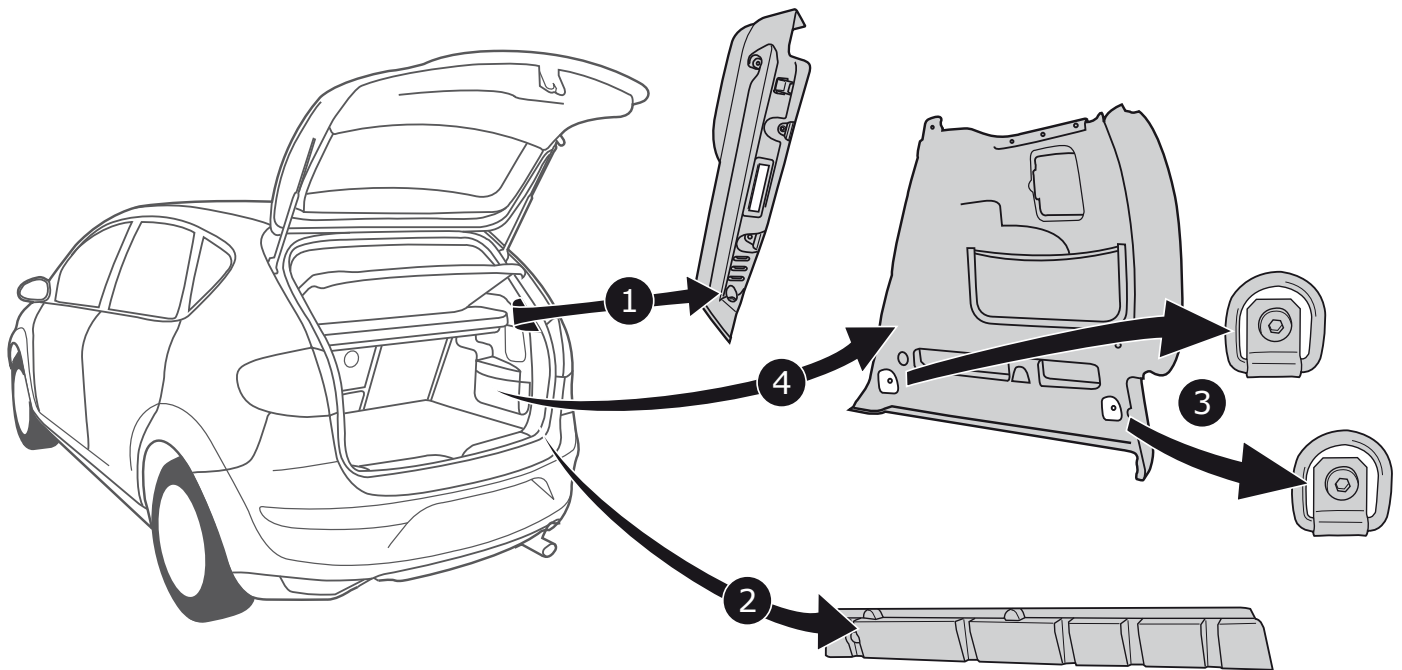
1



2

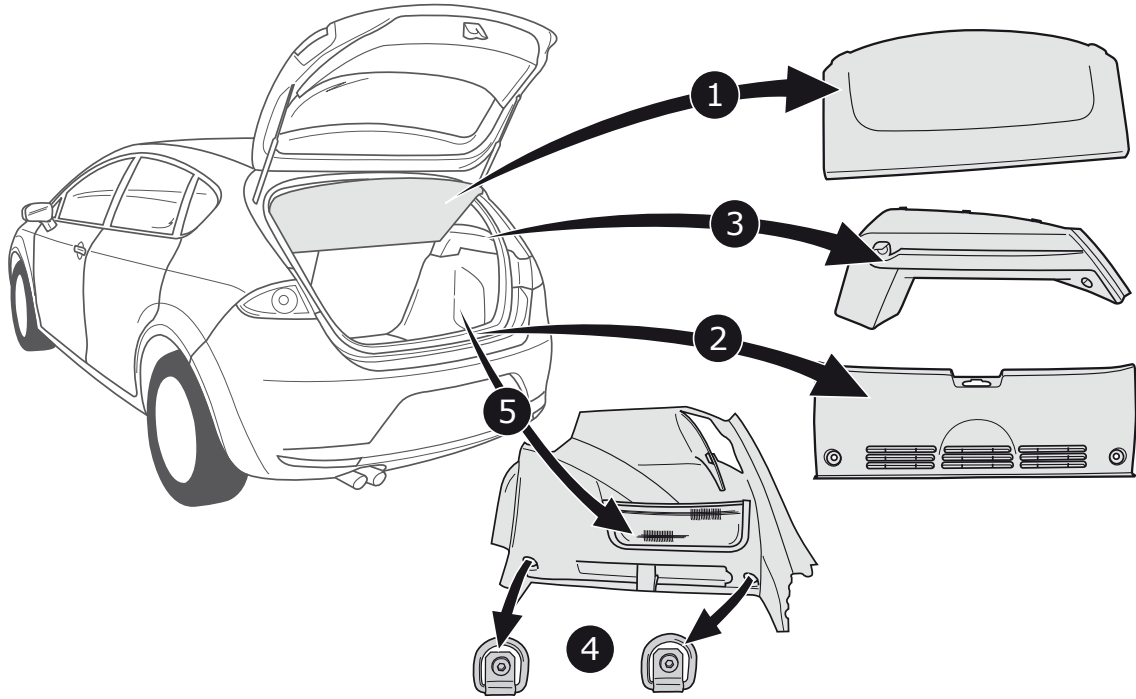


3



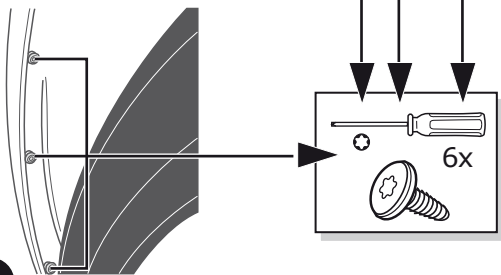
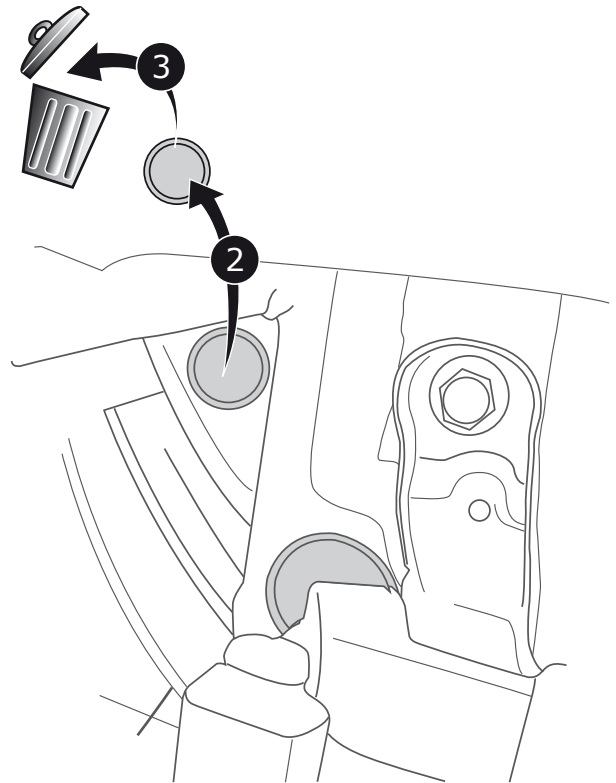
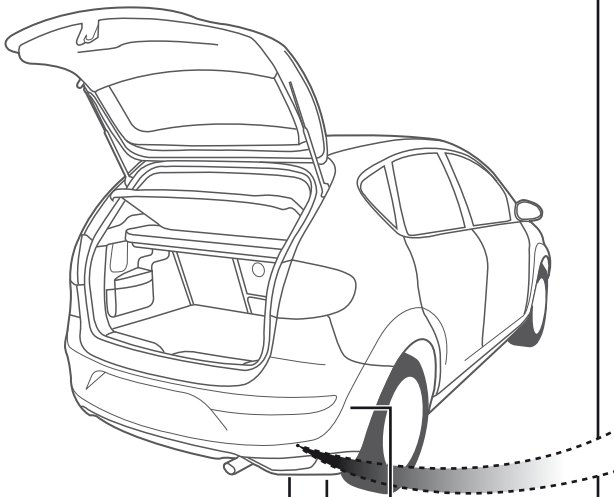
Leon

4



Altea / Altea XL / Toledo / Leon

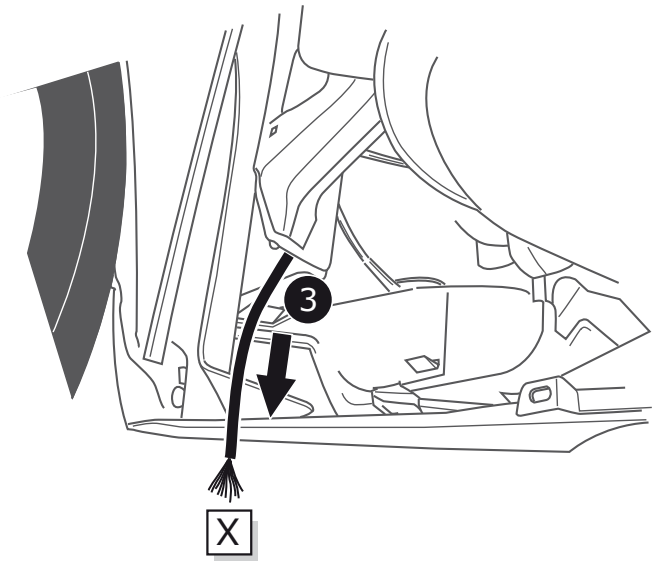
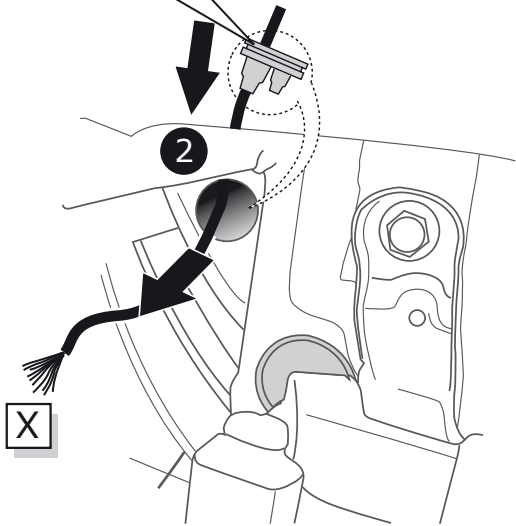
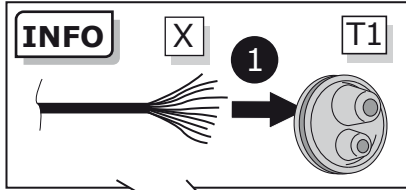
5



1

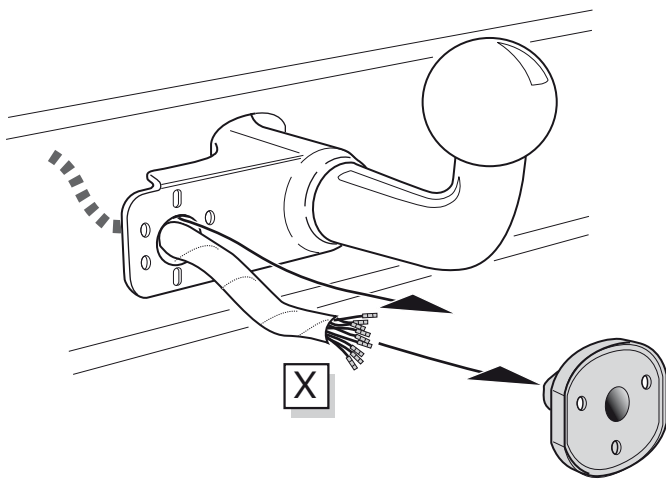
2

6

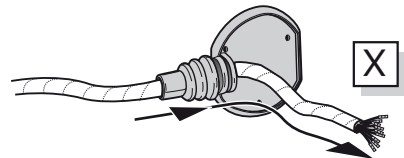


A

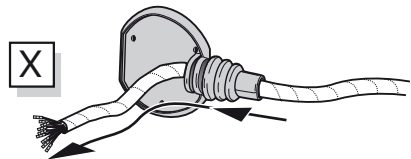
Option 1



Option 2



Option 3

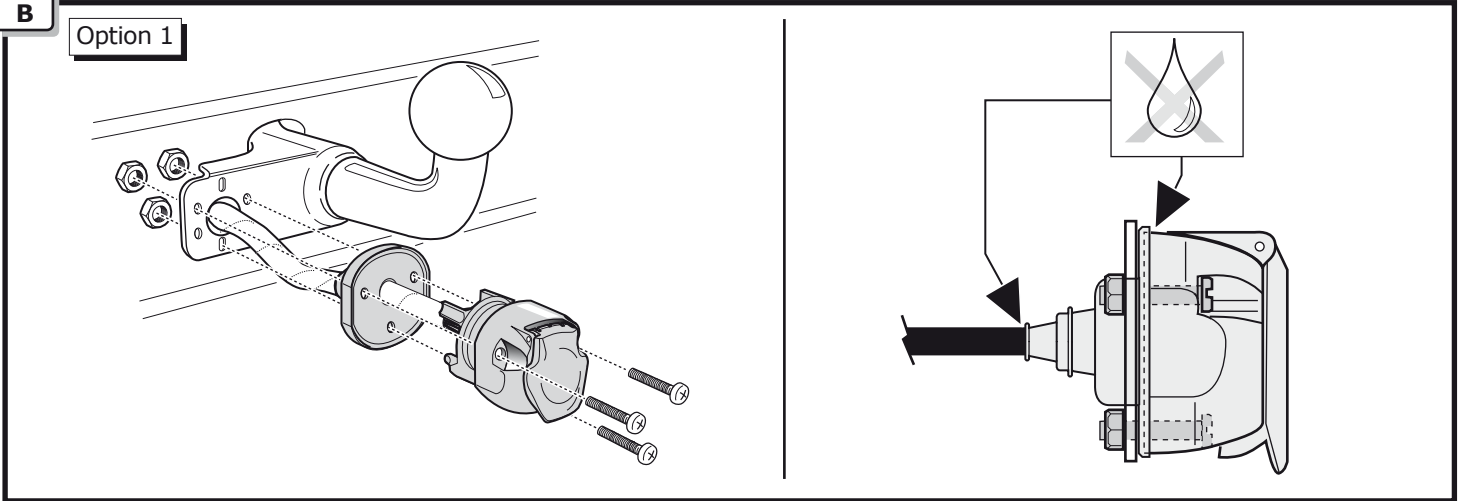


INFO

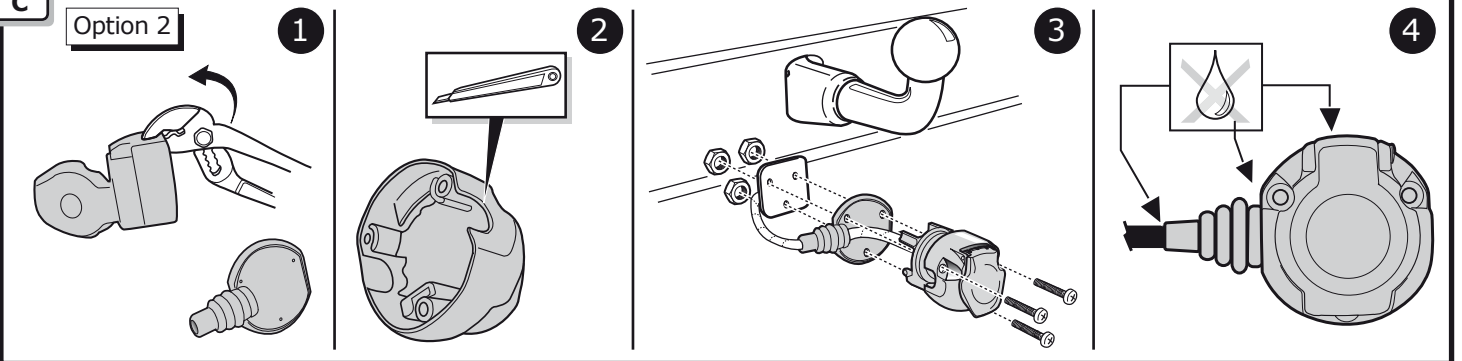
SOCKET CONNECTION 

Page 16

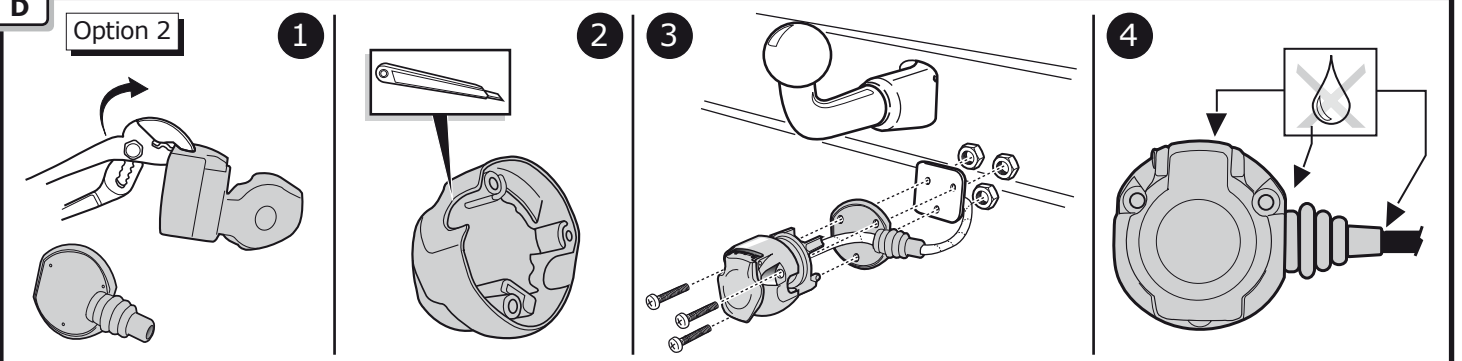
B Option 1



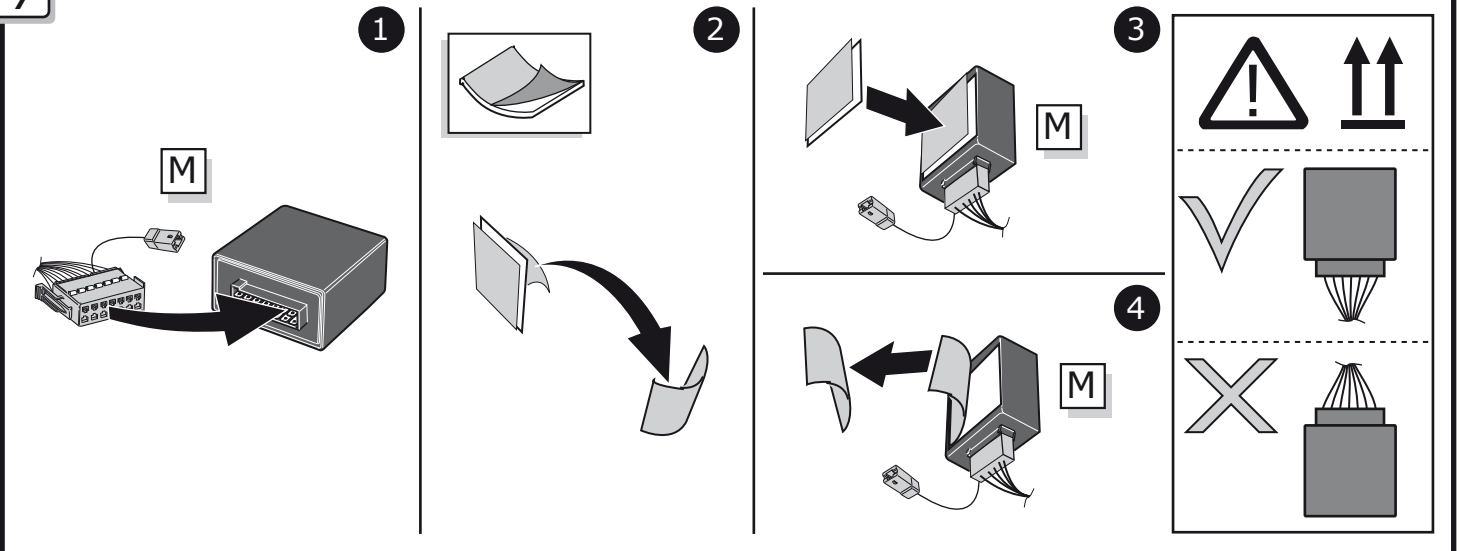
C Option 2



D Option 2

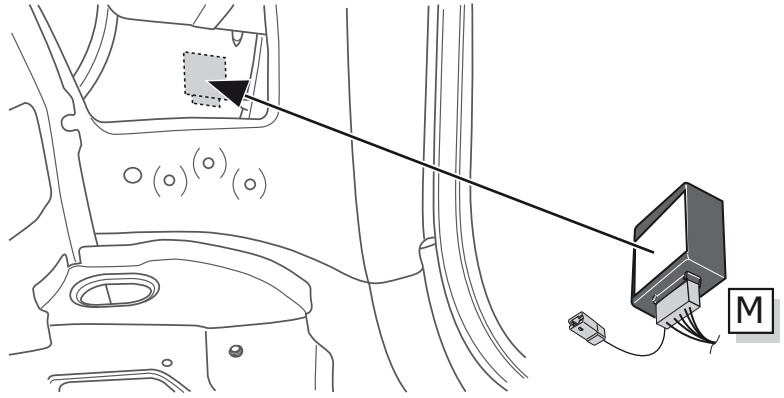
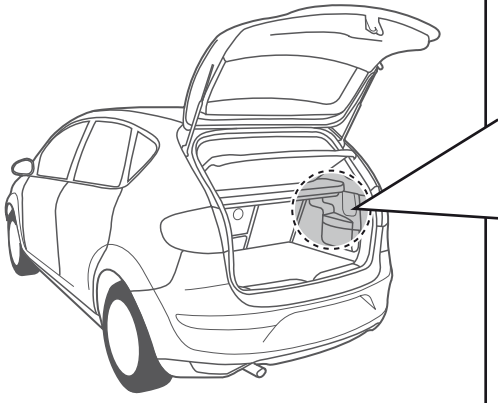


7

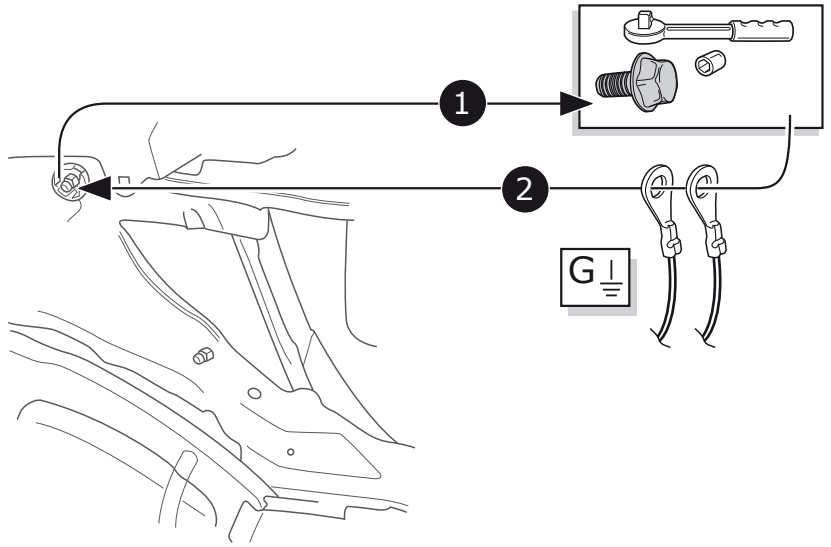
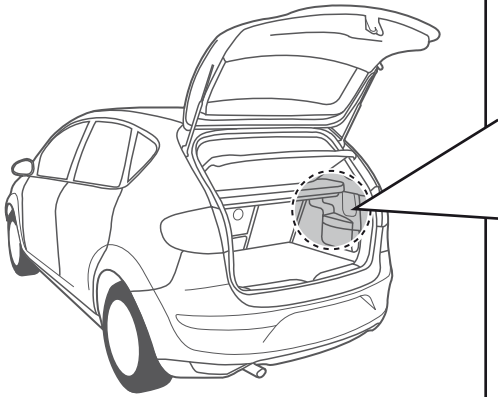


Altea / Altea XL / Toledo

8

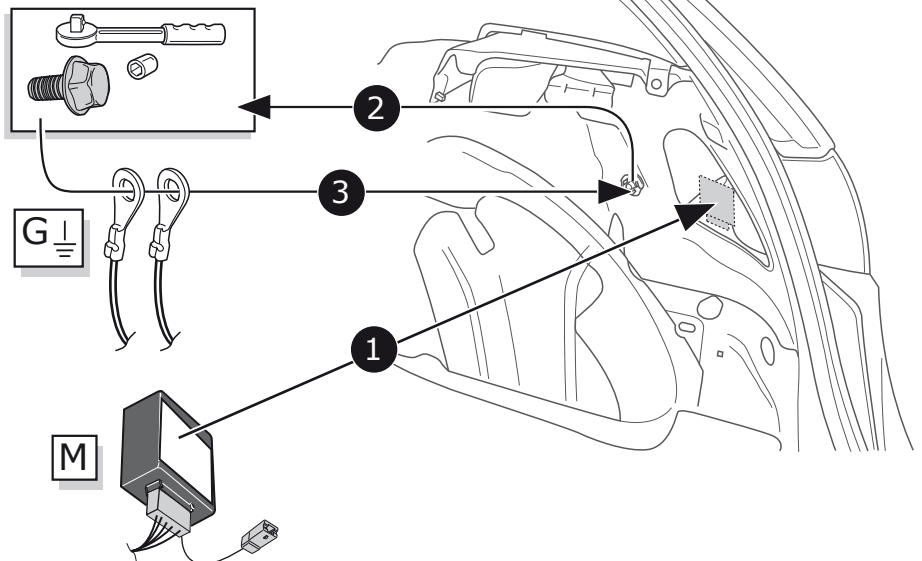
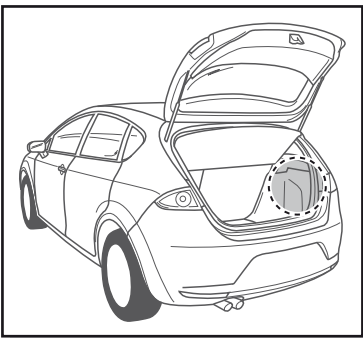


9

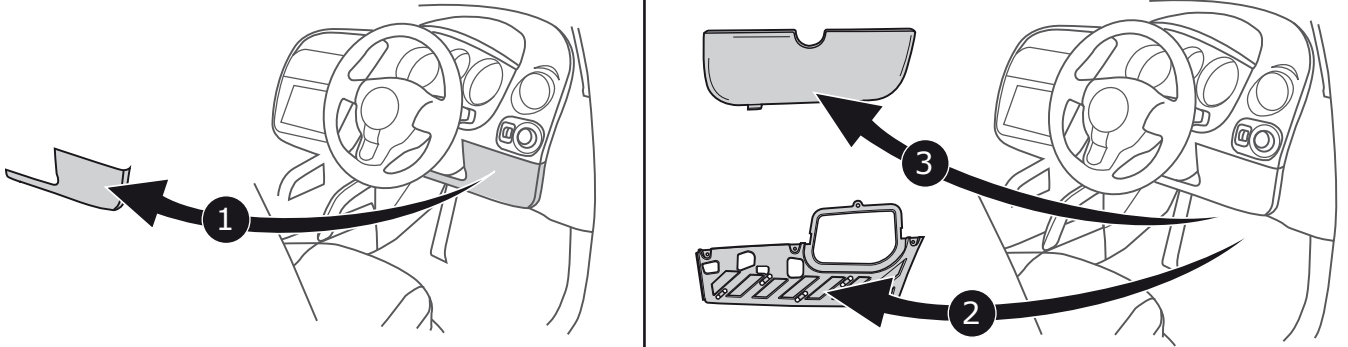


Leon

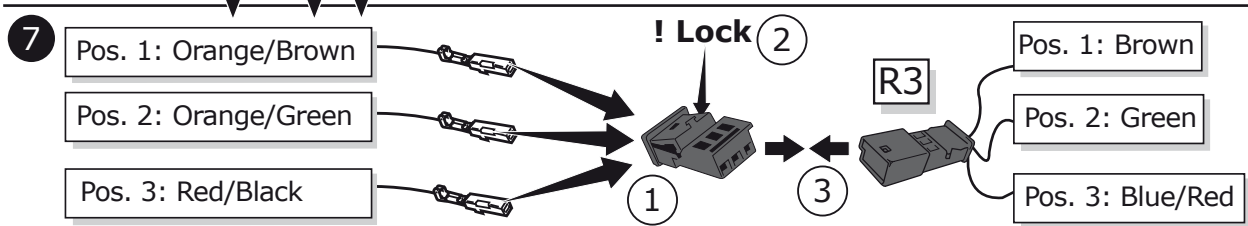
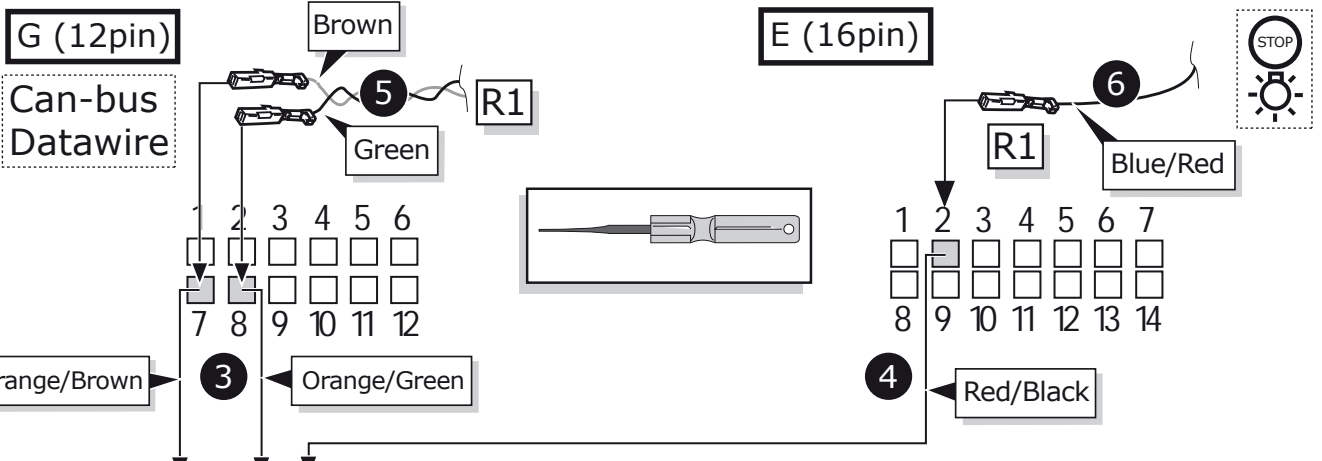
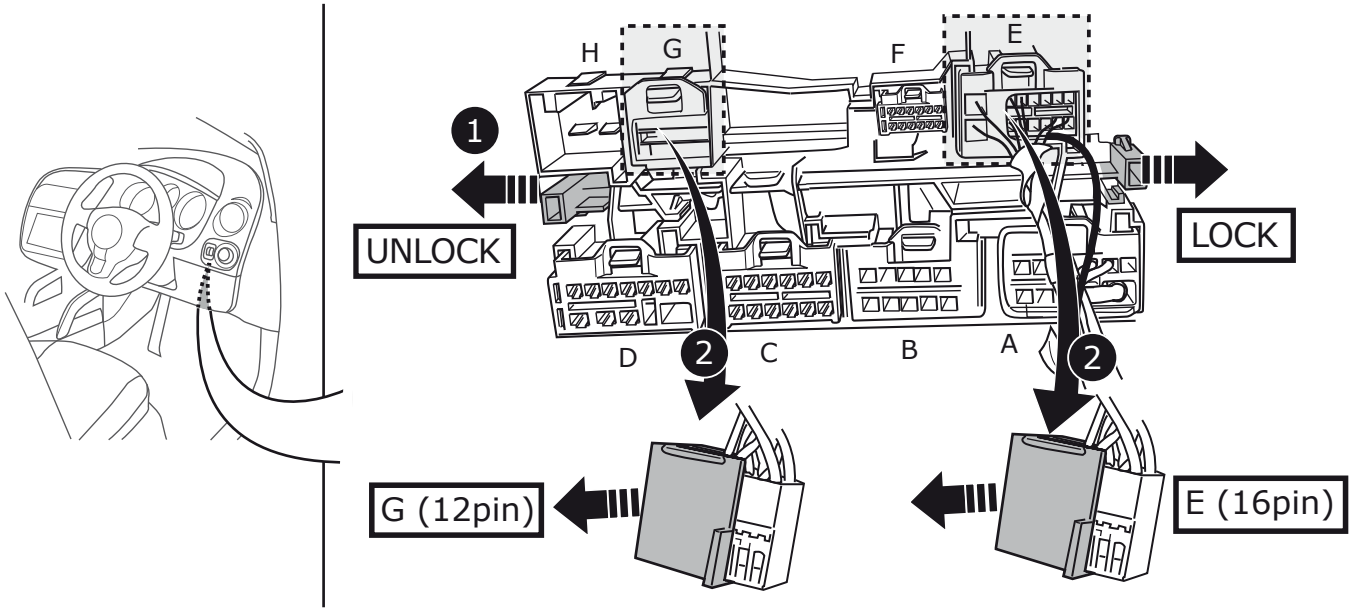
10



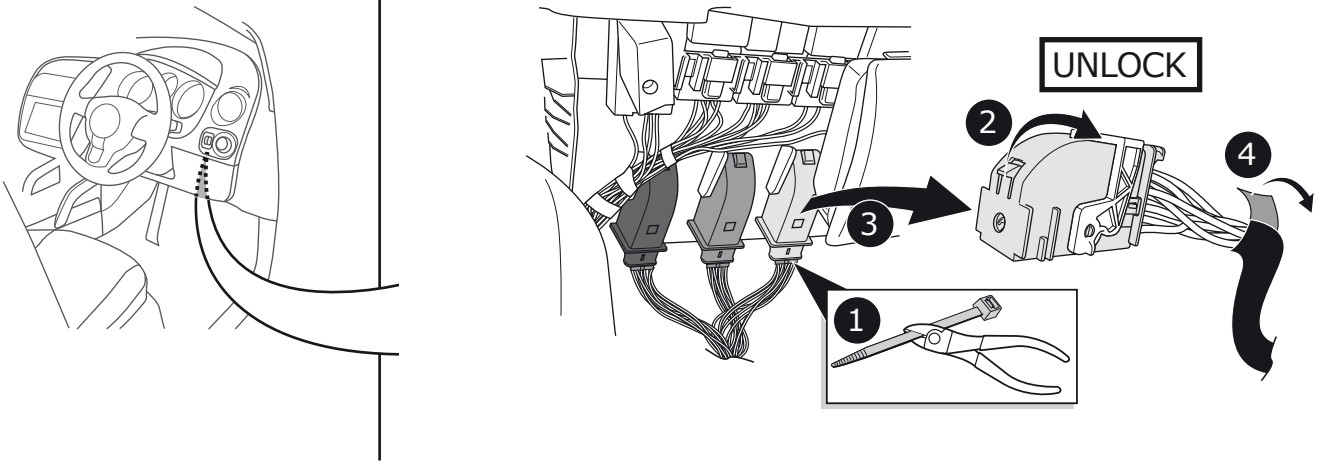
11



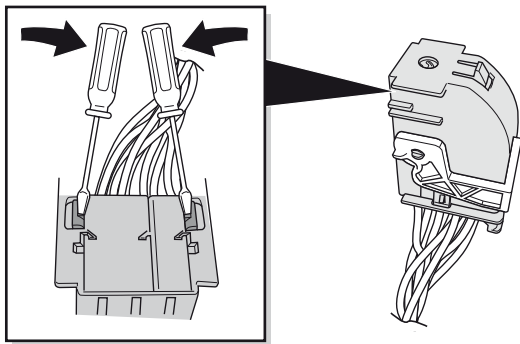
12



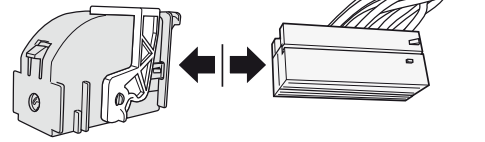
13



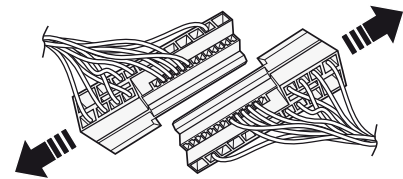
14



1

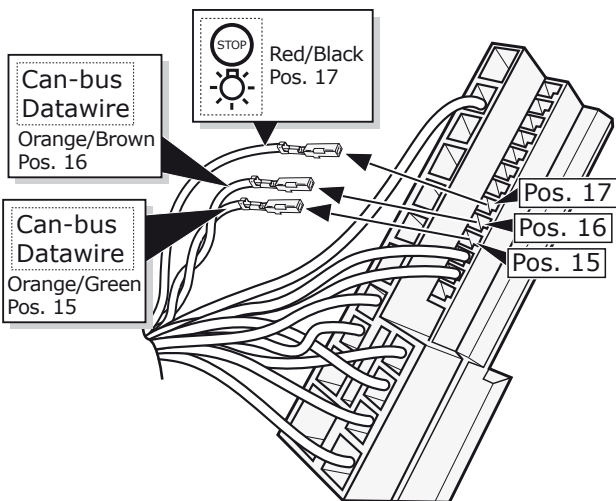


2

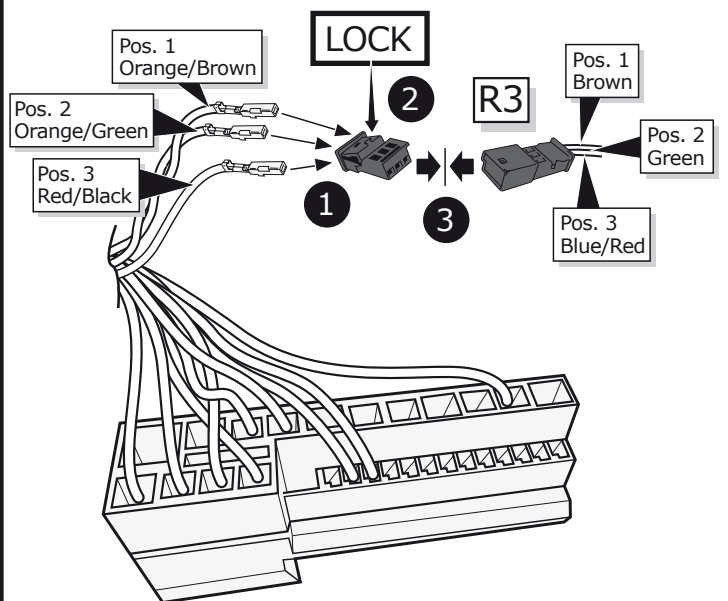


3

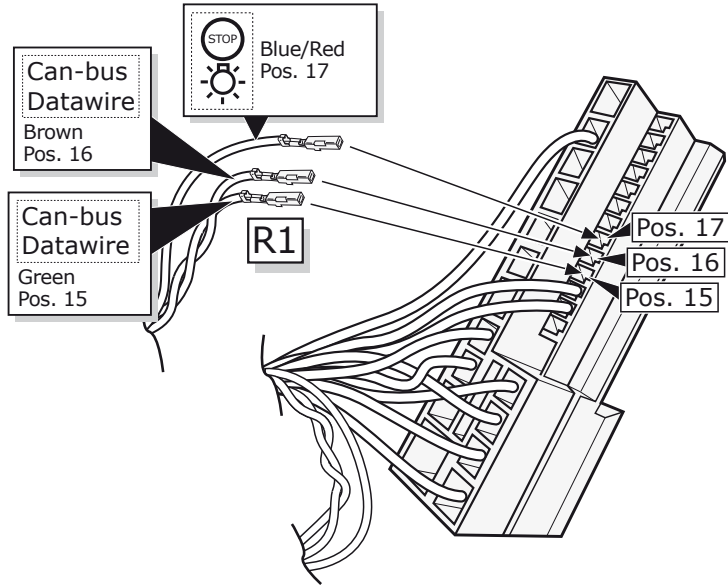
15



16

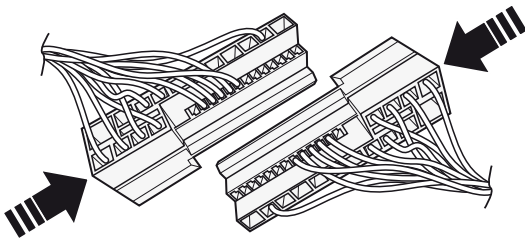


17

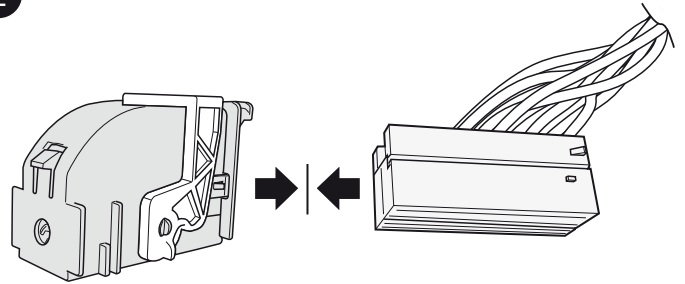


18

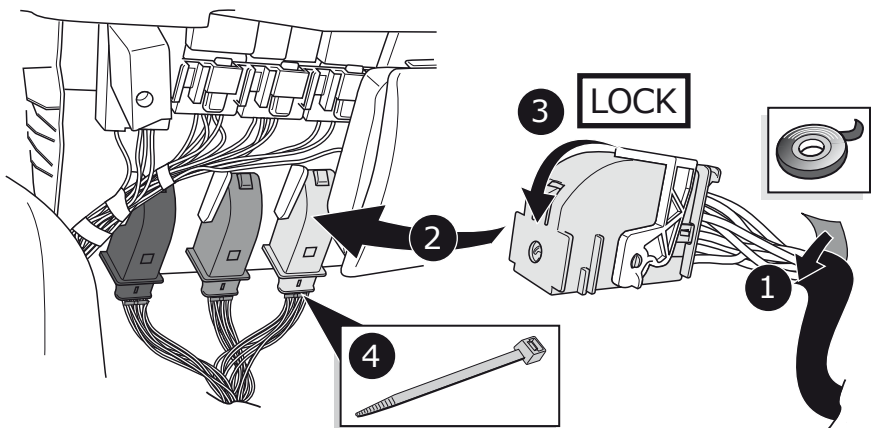
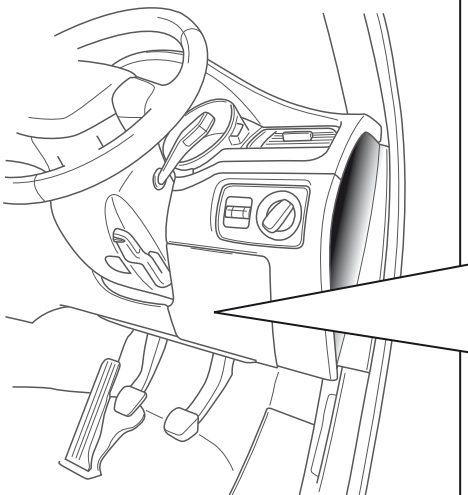
1



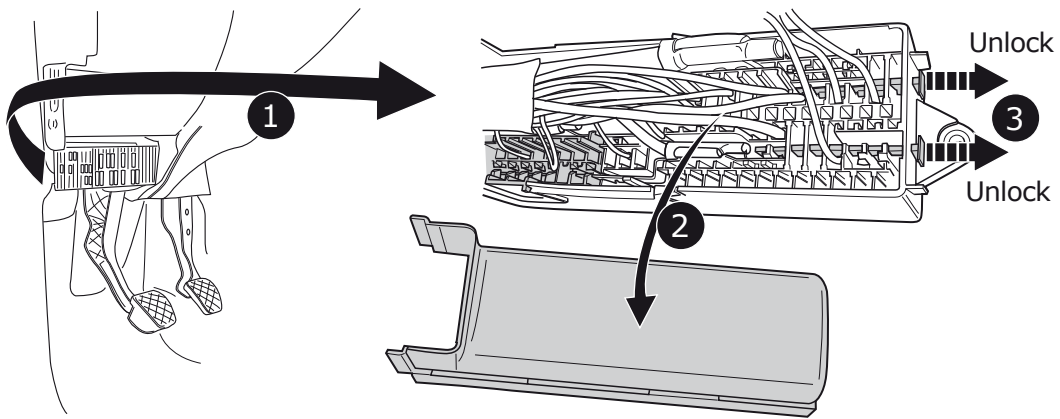
2



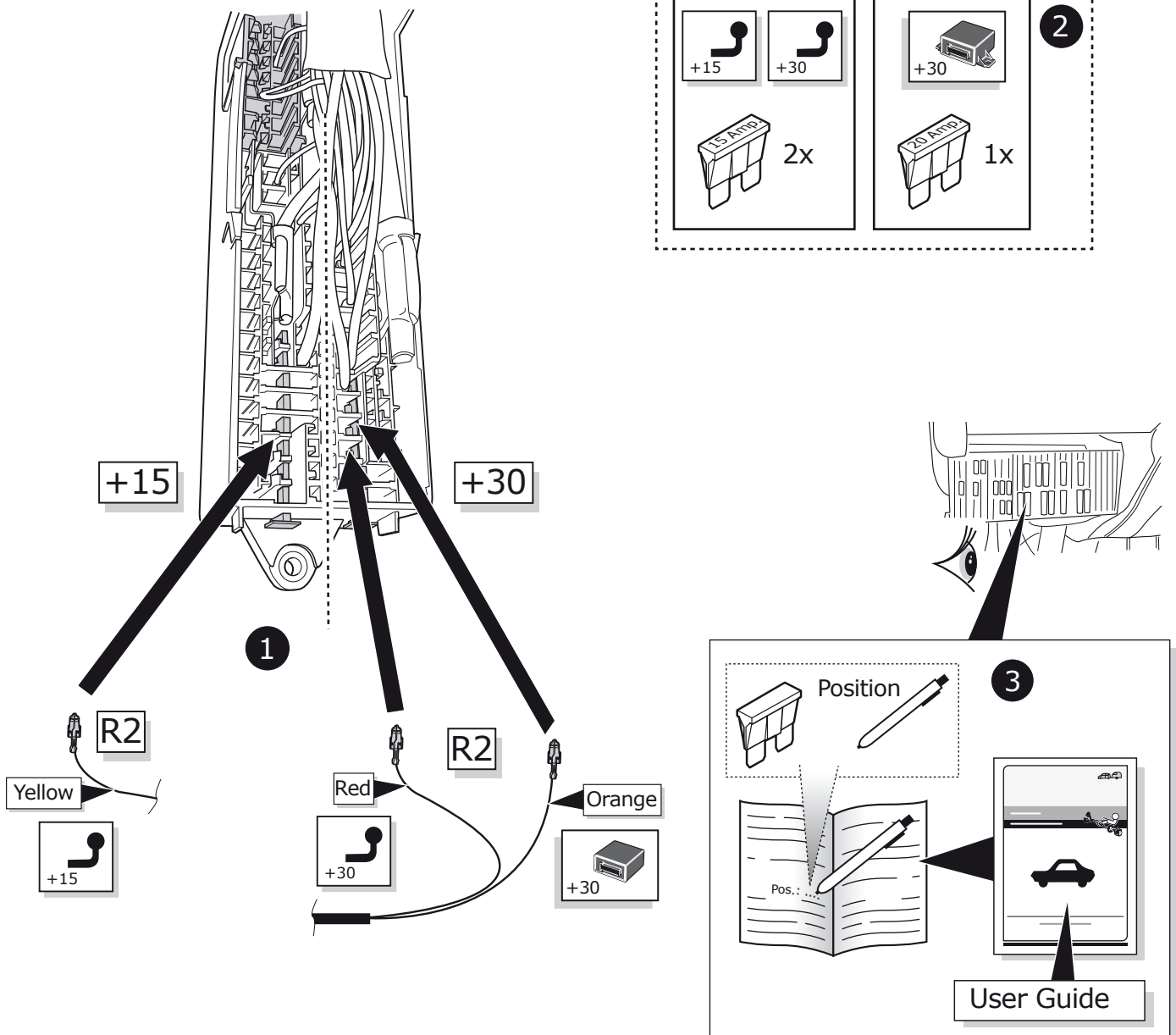
19



20

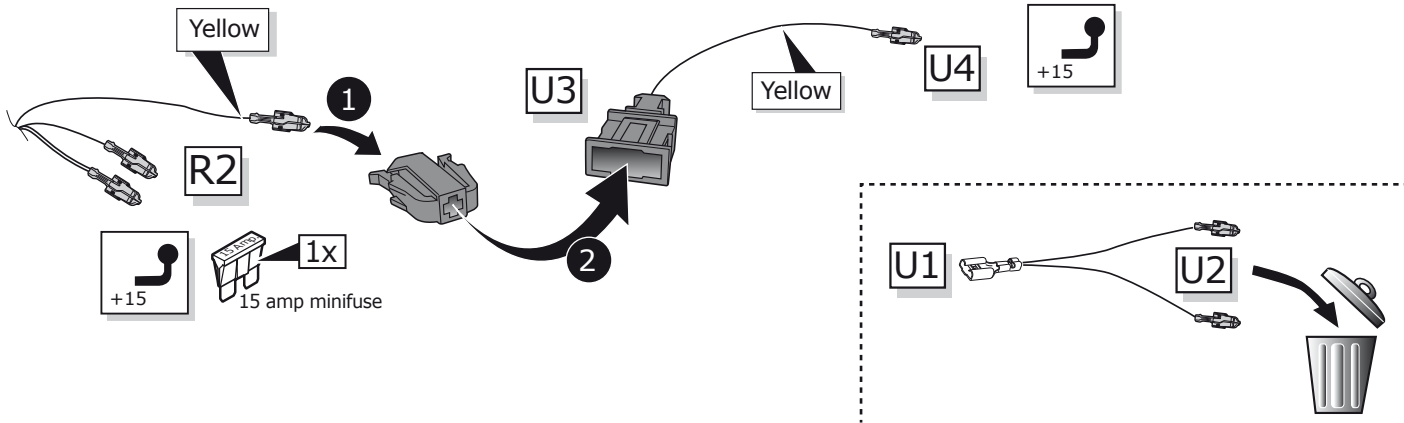


21

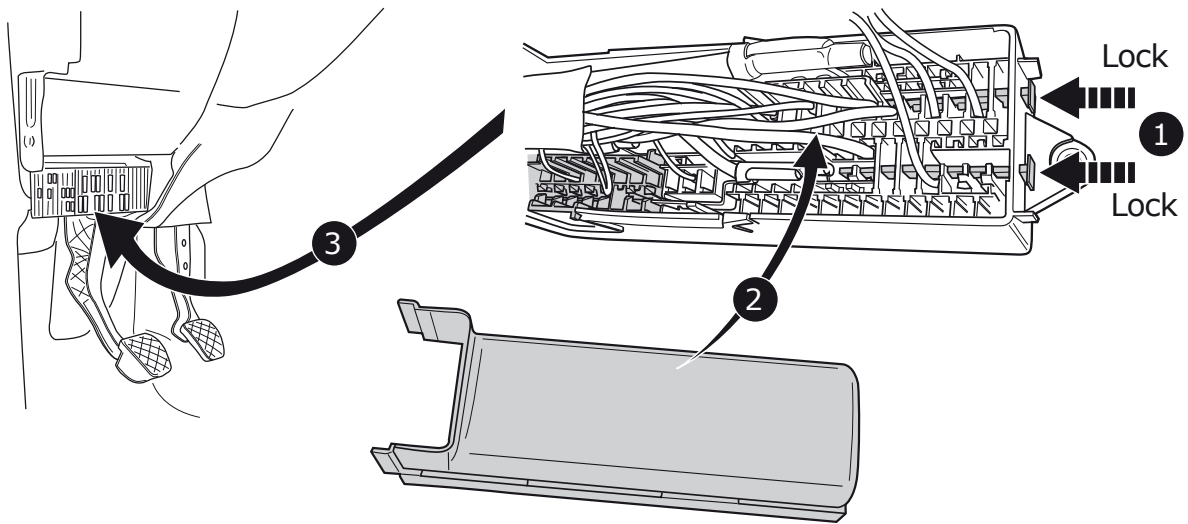


Altea / Altea XL / Toledo

22

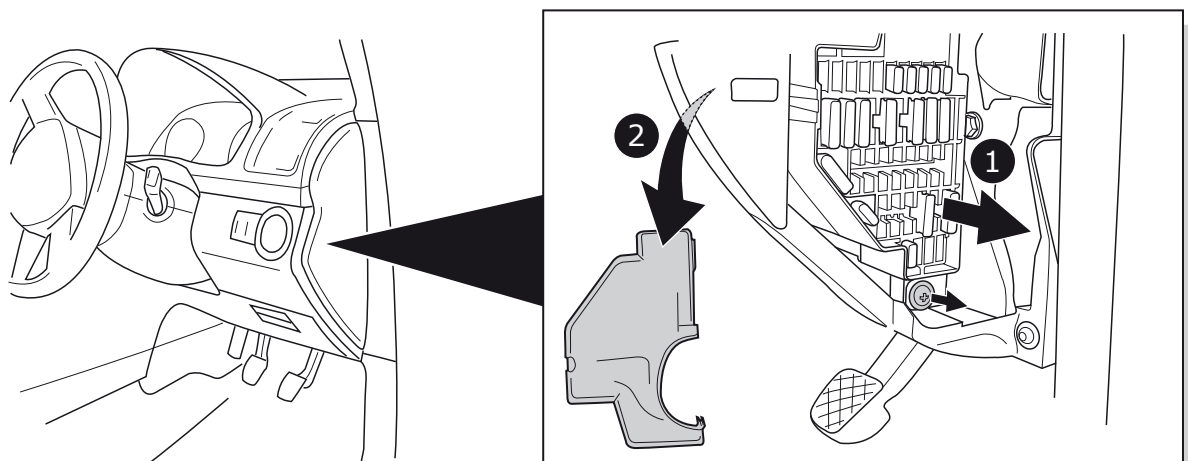


23



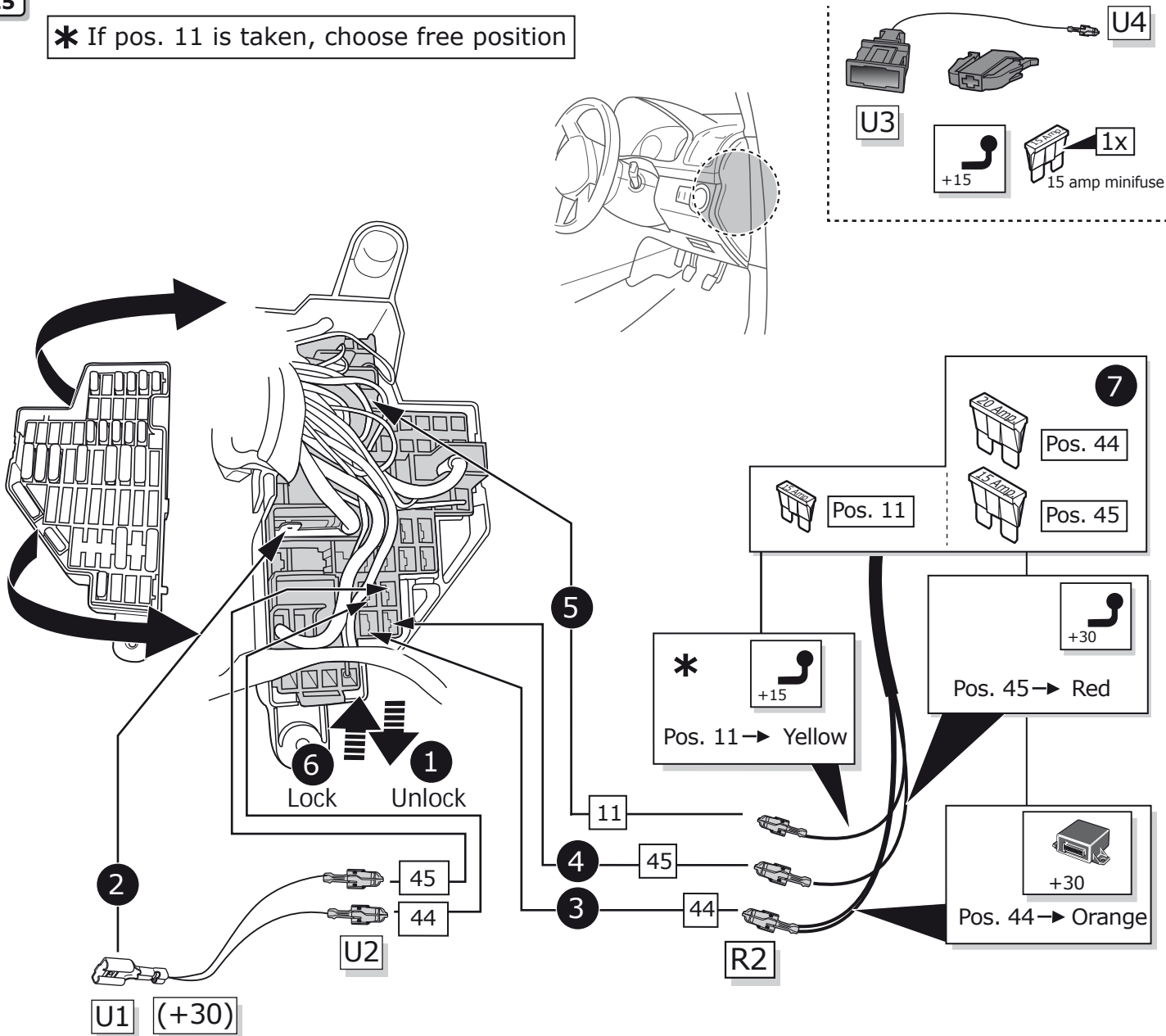
Leon

24

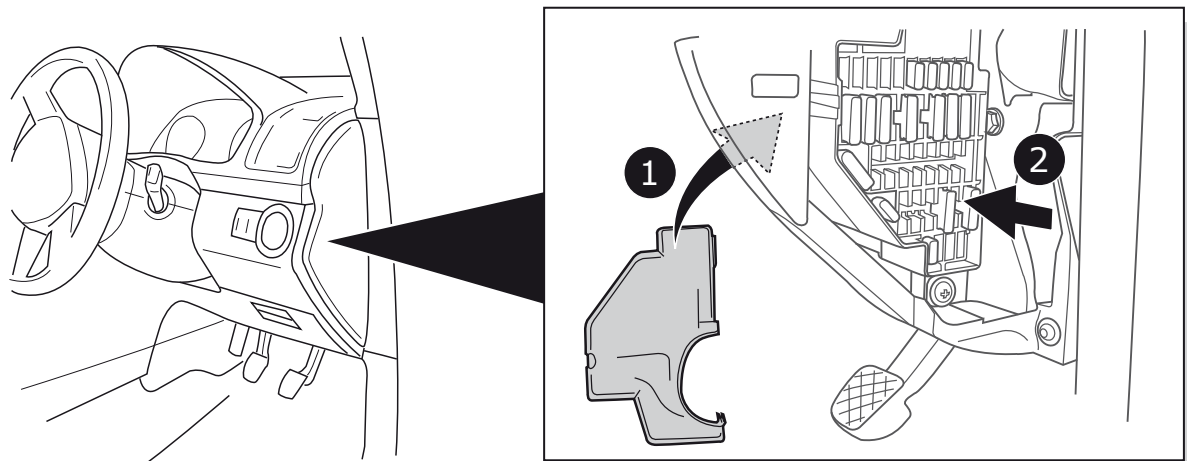


25

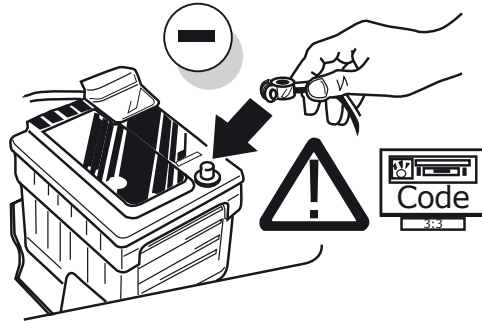
* If pos. 11 is taken, choose free position



26



27



28

A VAG Service Tester must be used to code the vehicle's Gateway with the additional function for the towing hitch at the dealer.

29

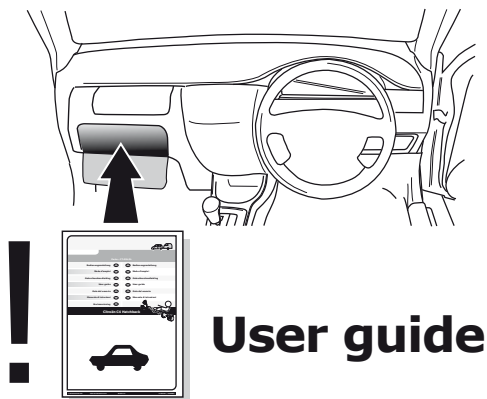


TEST ALL THE CIRCUITS WITH A TEST DEVICE WITH THE CORRECT POWER LOAD FOR EACH FUNCTION. A TEST DEVICE WITH LED'S CANNOT BE USED FOR THIS PURPOSE.

INFO

REINSTALL TRIM.

30



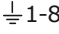






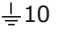


User guide



INFO

SOCKET CONNECTION

DIN/ISO 11446													
	1/L	2	3/31	4/R	5/58-R	6/54	7/58-L	8	9	10	11	12	13
Pmax	21W	21W		21W	42W	3x21W	42W	21W	180W/15Amp	180W/15Amp			
Colour	Black/ White	Blue	Brown	Black/ Green	Grey/ Red	Black/ Red	Grey/ Black	Black	Red	Yellow	Brown	Red/ Blue	Brown