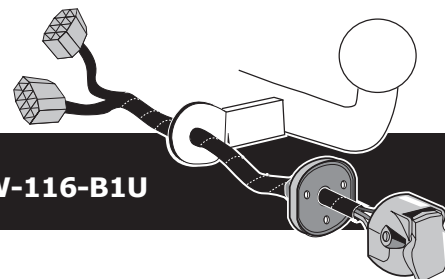


SEAT Altea 2004- & 2009-2012
SEAT Altea Free Track 2007- & 2009-2012
SEAT Altea XL 2006- & 2009-2012
SEAT Toledo 2005-2012
SEAT Leon 2005- & 2009-2012

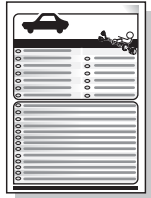
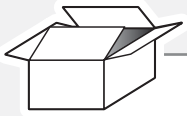


Partnr.: VW-116-B1U

- Fitting instructions electric wiring kit tow bar with 12-N socket up to DIN/ISO Norm 1724.
- We would expressly point out that assembly not carried out properly by a competent installer will result in cancellation of any right to damage compensation, in particular those arising by virtue of the product liability act.
- Contents of these kits and their fitting manuals are subject to alteration without notice, please ensure that these instructions are read and fully understood before commencing installation.
- Do not overload circuits; the maximum loads per connection are detailed in this manual.
- Attention! Before Installation, please read this manual carefully and inform your customer to consult the vehicle owners manual to check for any vehicle modifications required before towing.
- In the event of functional problems, troubleshooting must be limited to about 0.5 hours, contact the technical support:
ukts@ecs-electronics.com / 07440 202 052.



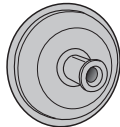
Part list



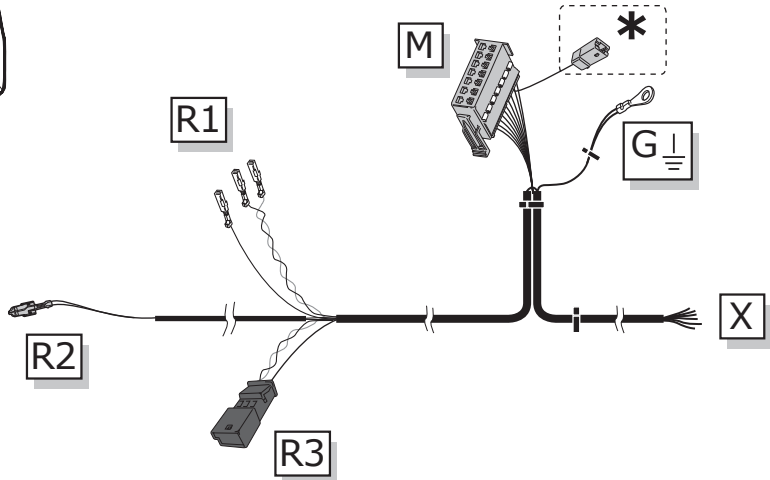
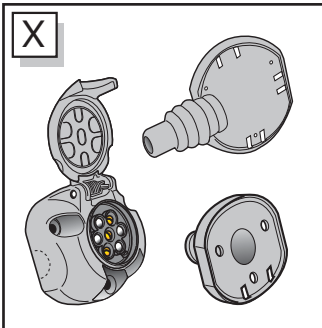
T1



T2



X



U1

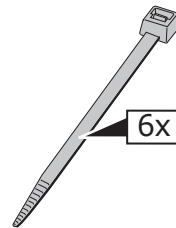
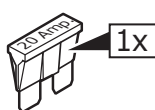
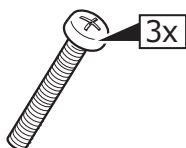
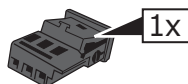


U2

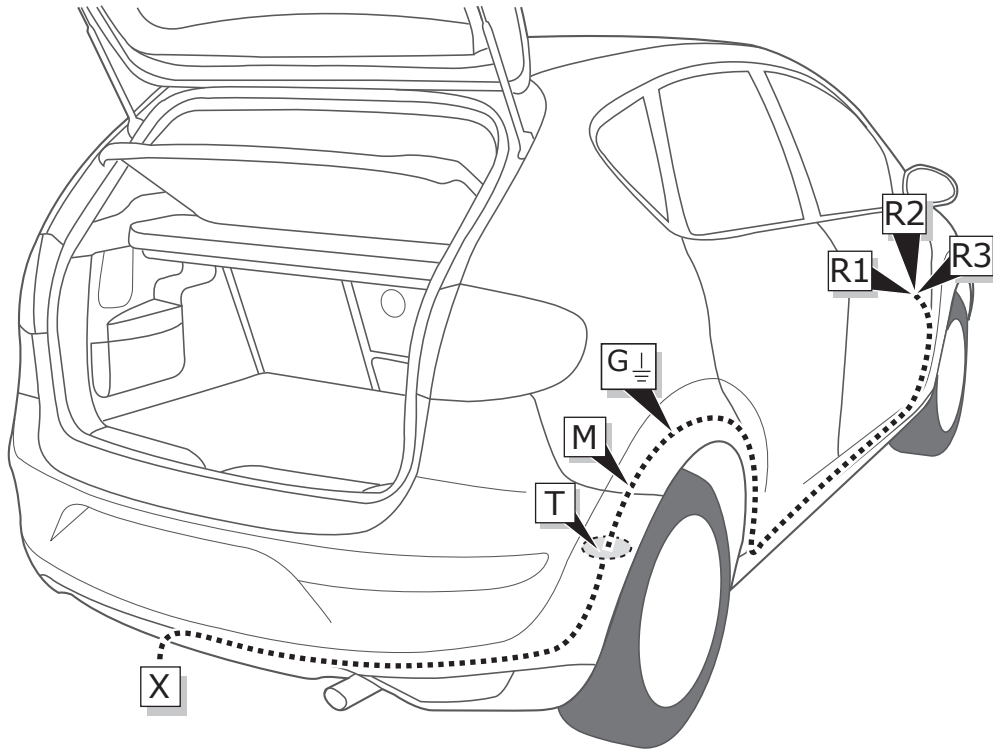
M



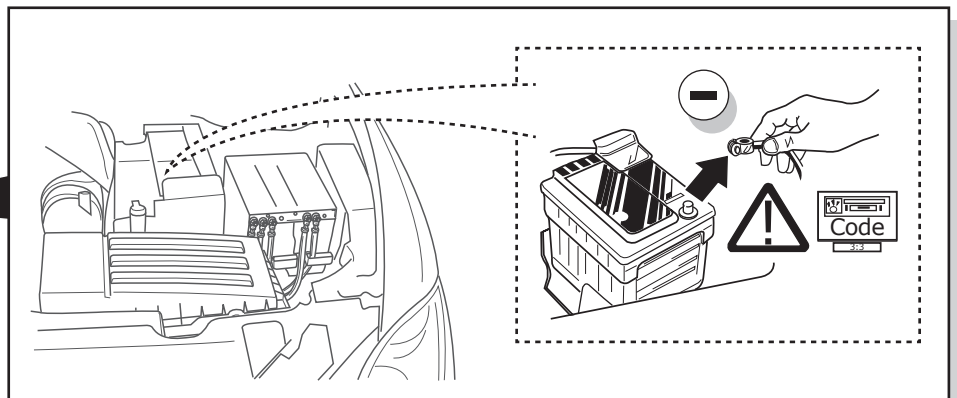
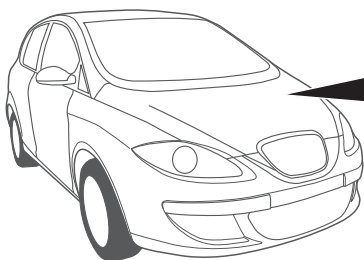
* Reverse signal preparation



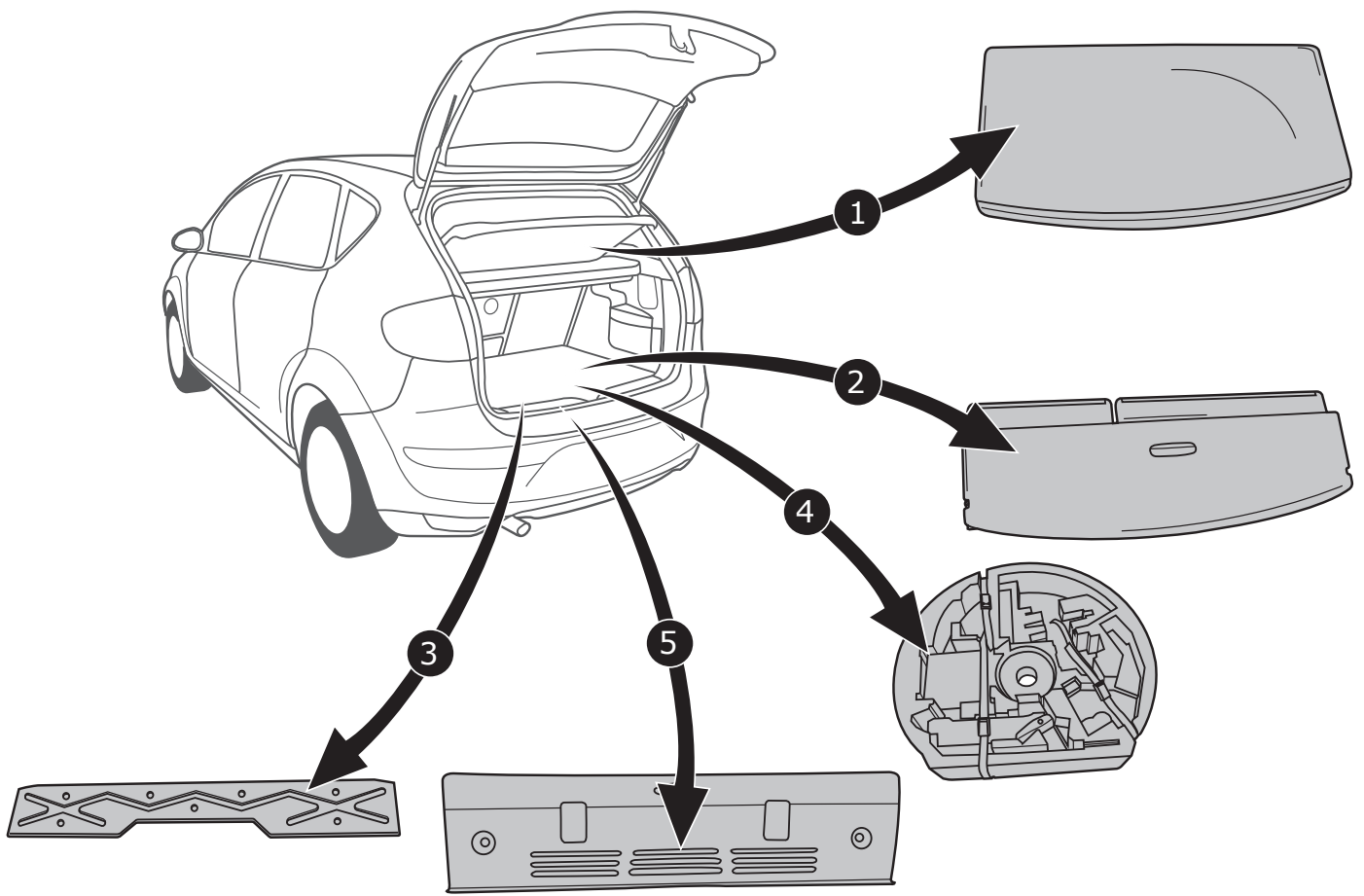
ROUTING



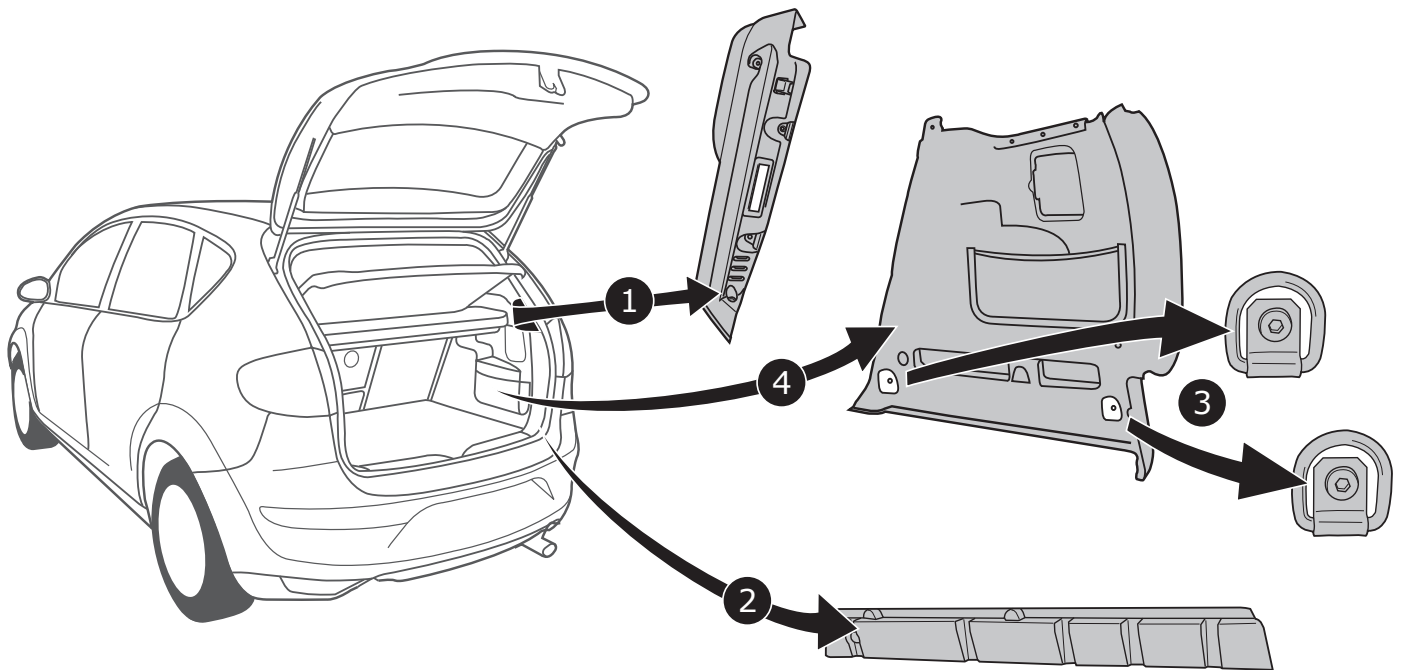
1



2

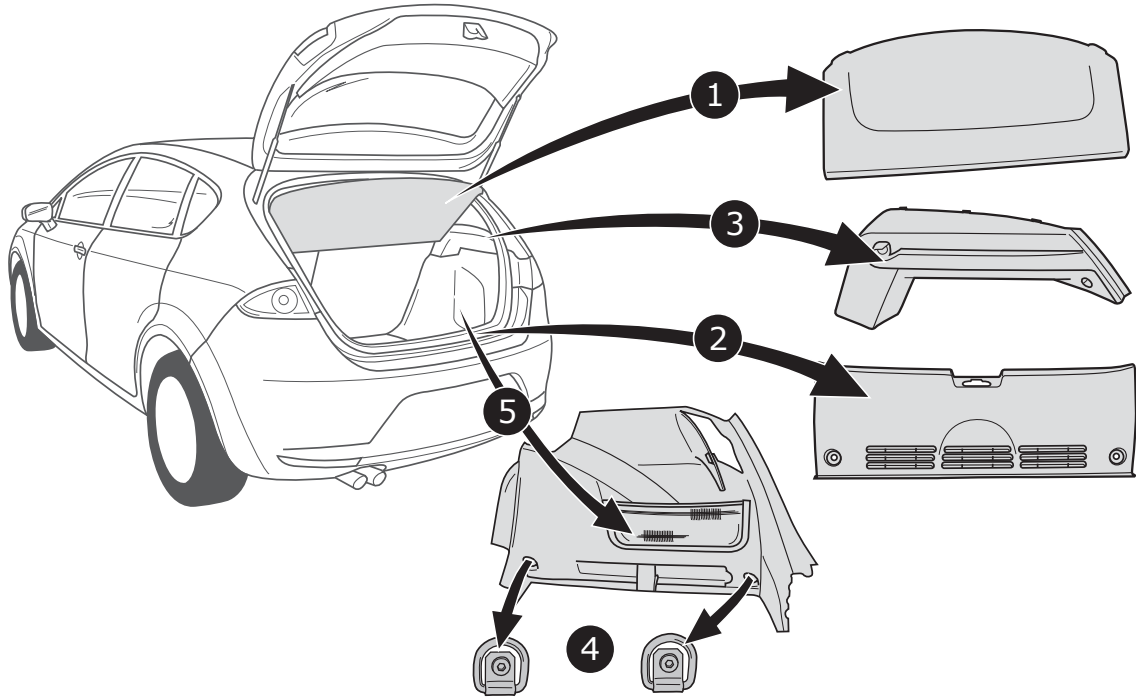


3



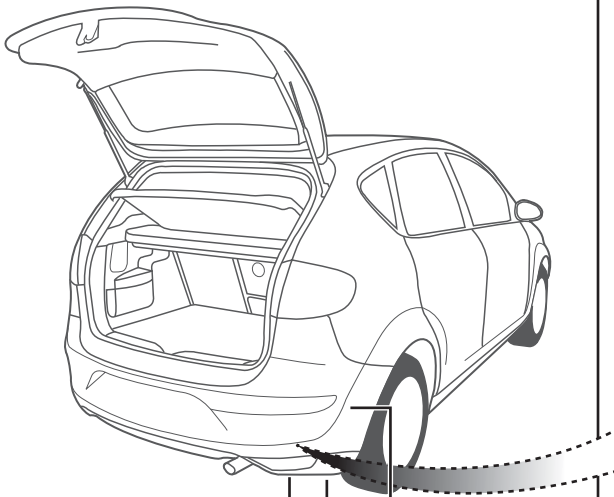
Leon

4

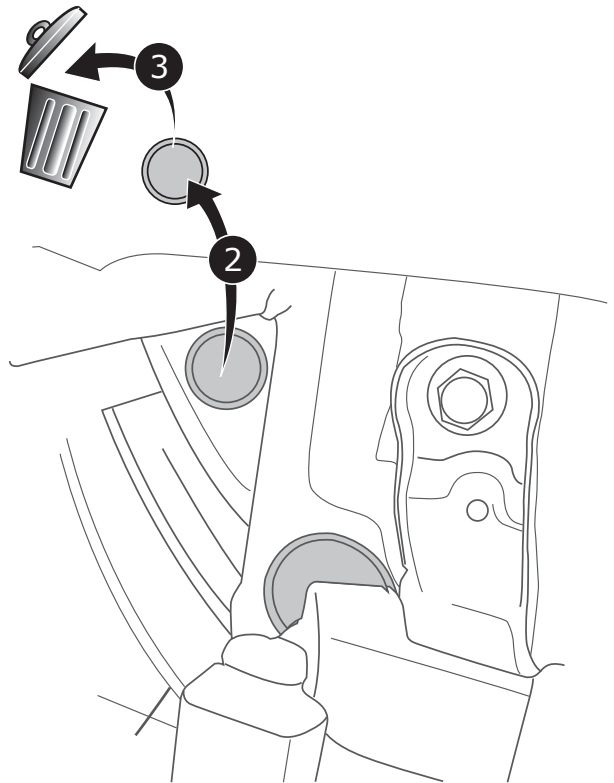
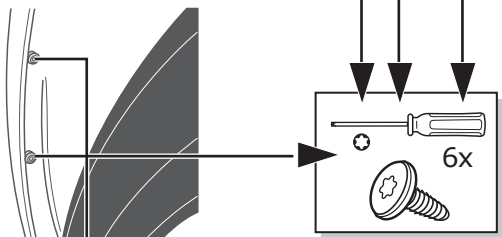


Altea / Altea XL / Toledo / Leon

5

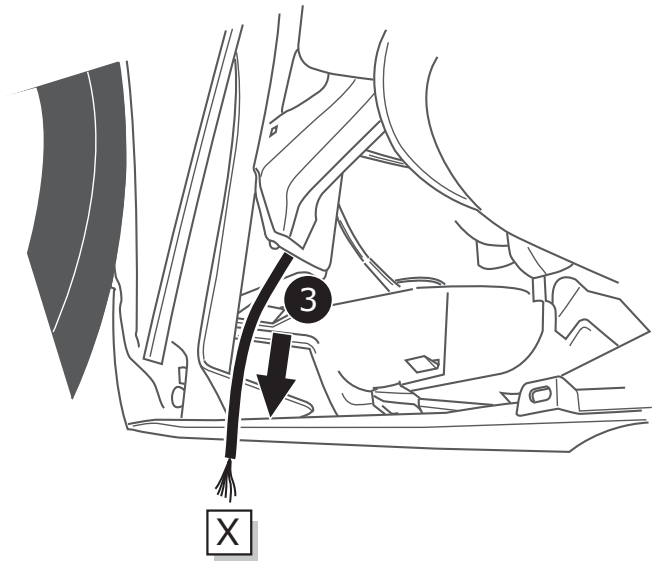
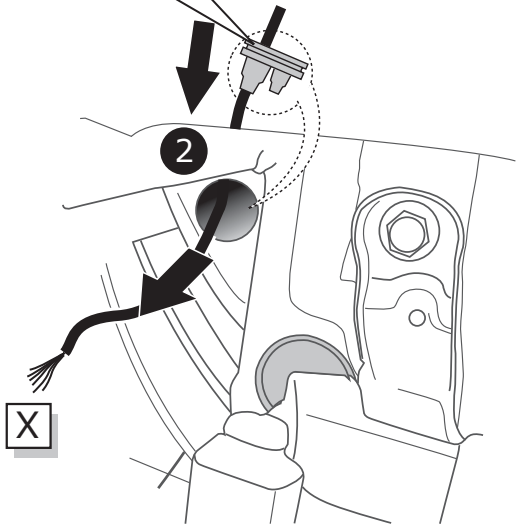
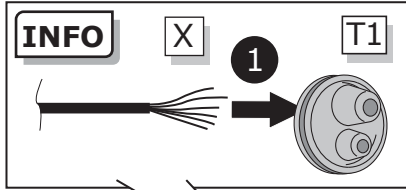


1



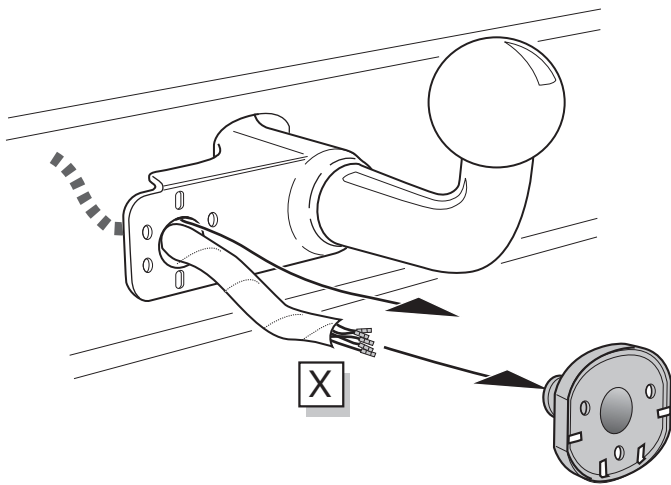
2

6

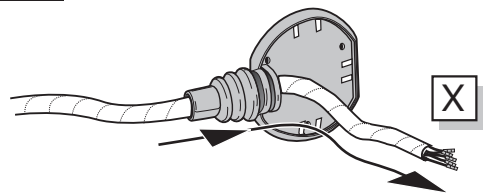


A

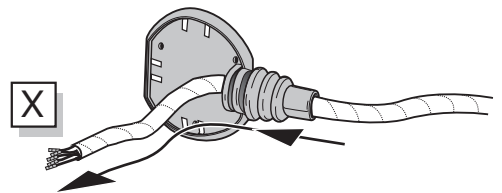
Option 1



Option 2



Option 3

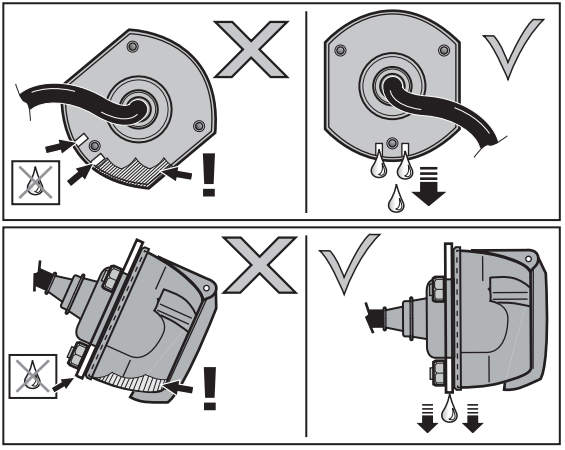
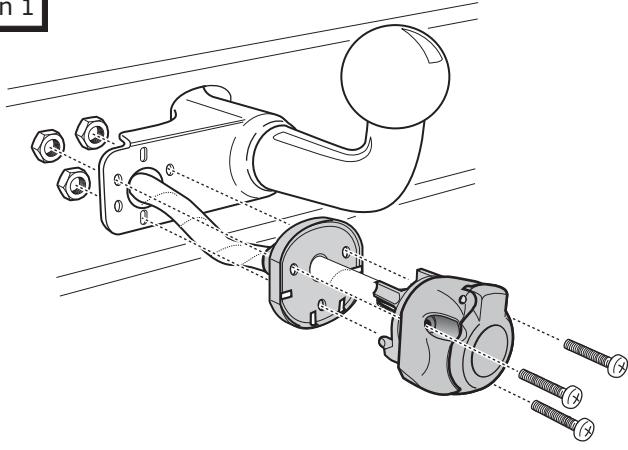


INFO

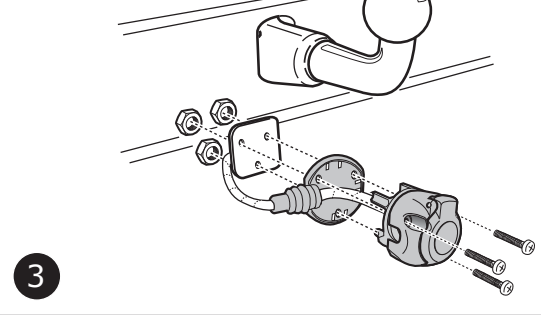
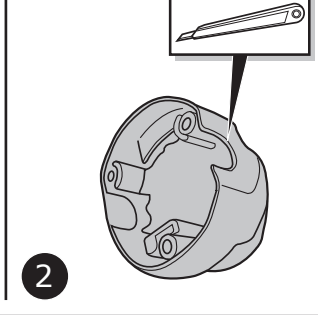
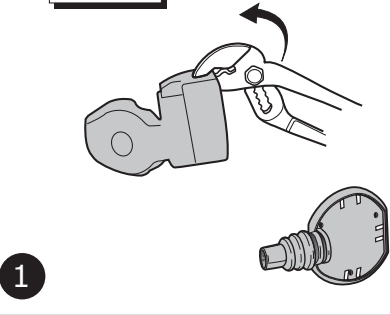
SOCKET CONNECTION 

Page 16

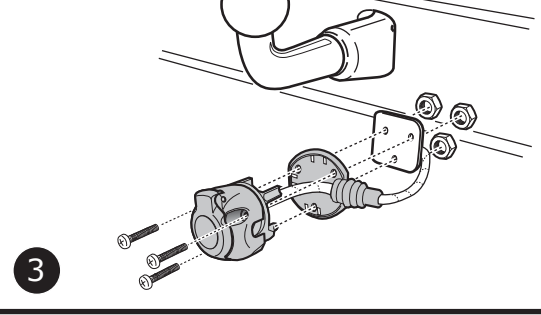
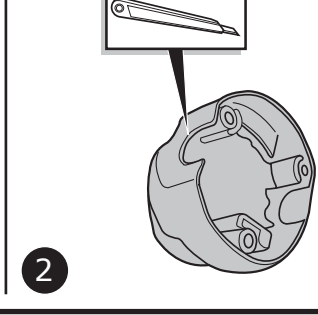
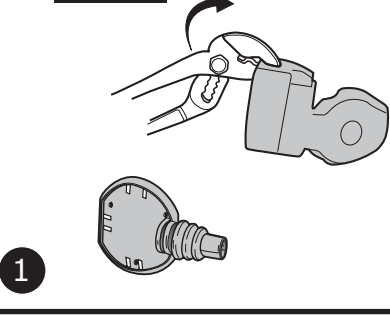
B Option 1



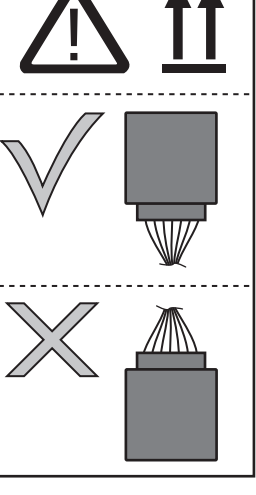
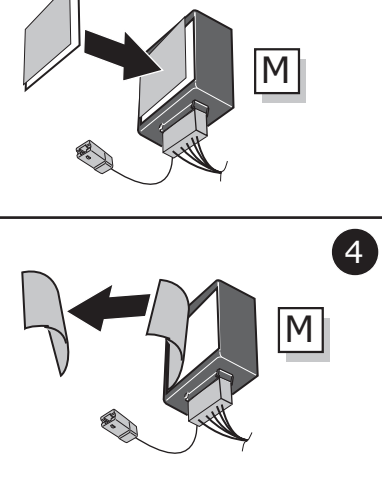
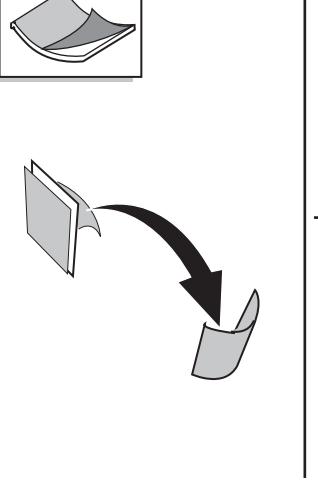
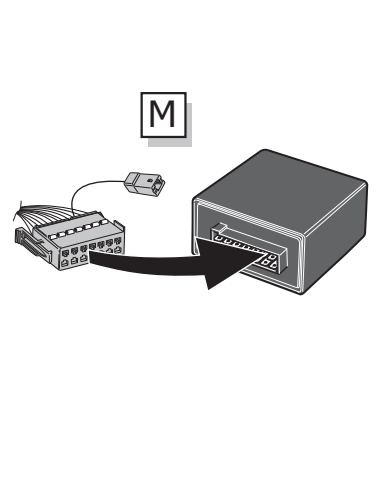
C Option 2



D Option 3

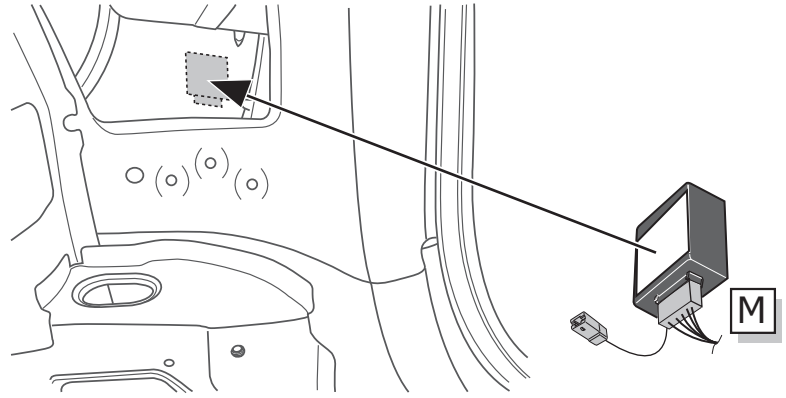
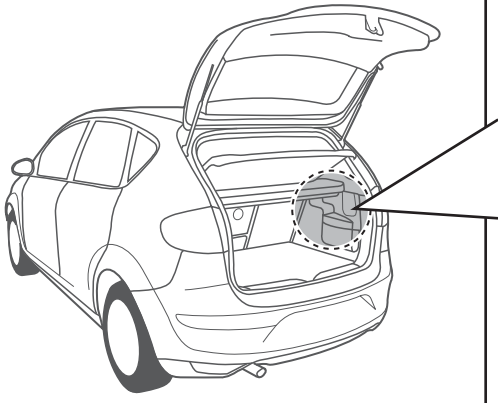


7

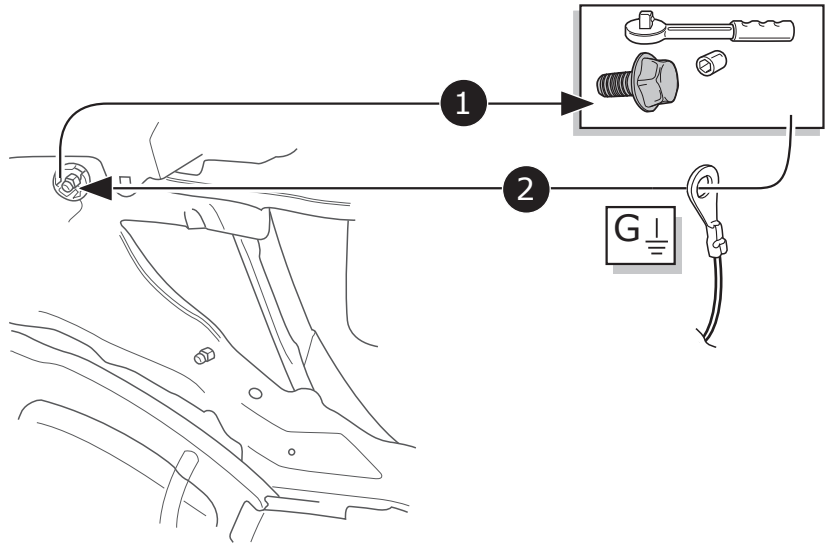
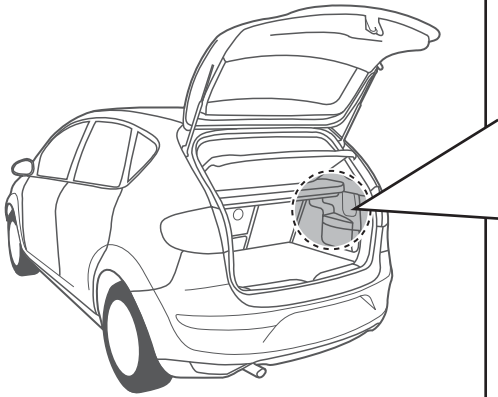


Altea / Altea XL / Toledo

8

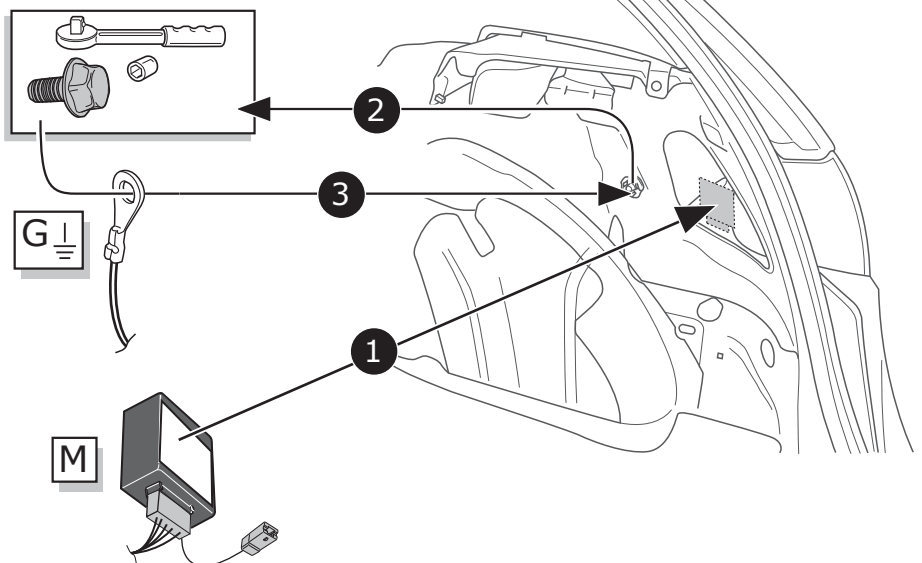
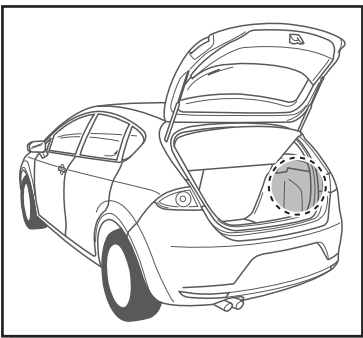


9

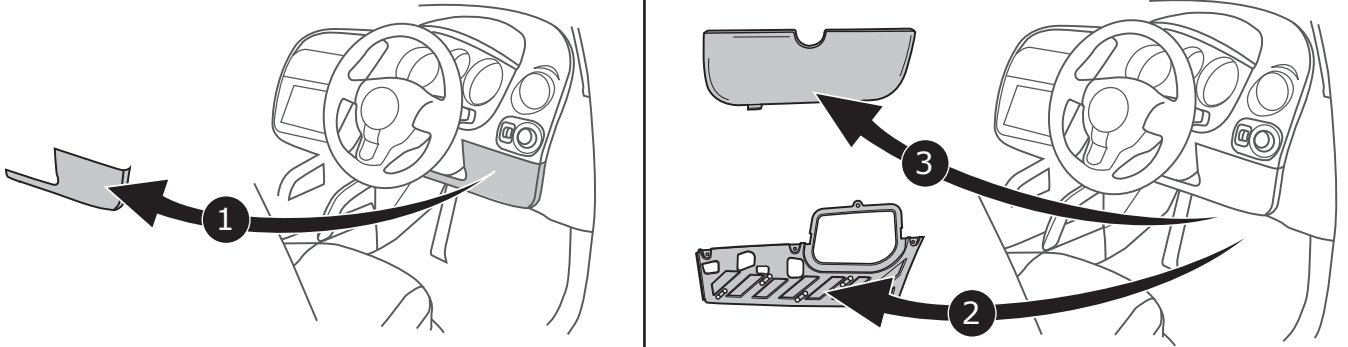


Leon

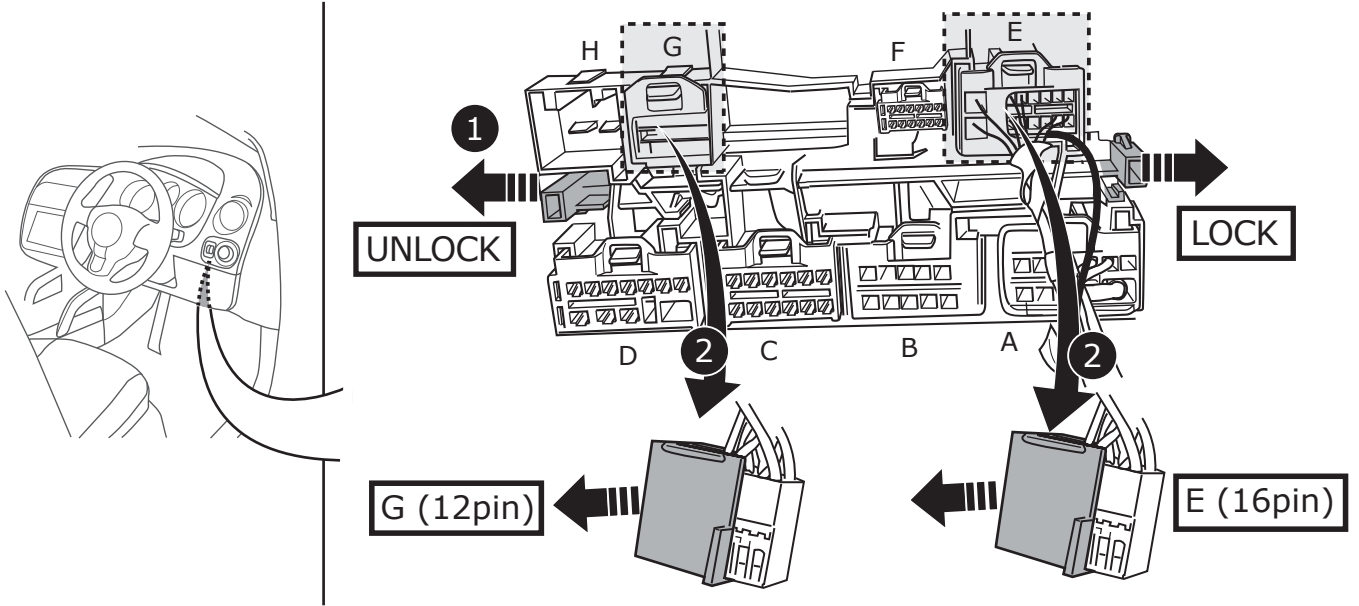
10



11



12



G (12pin)

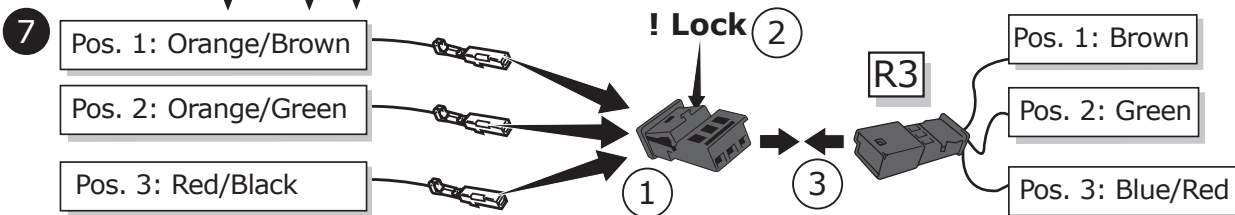
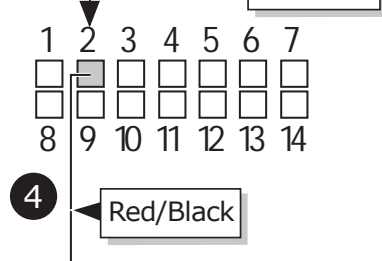
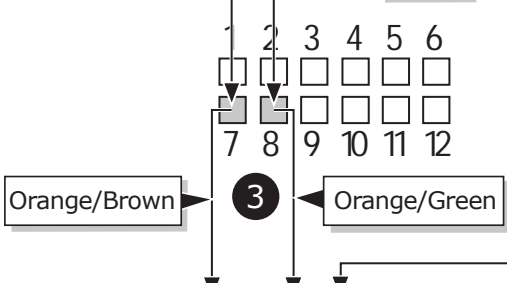
Can-bus Datawire

Brown

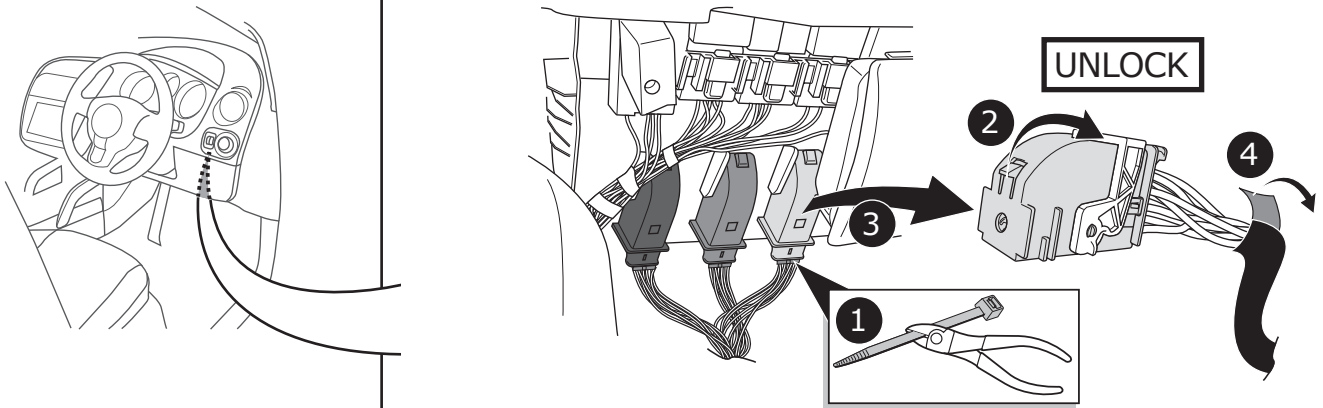
Green

E (16pin)

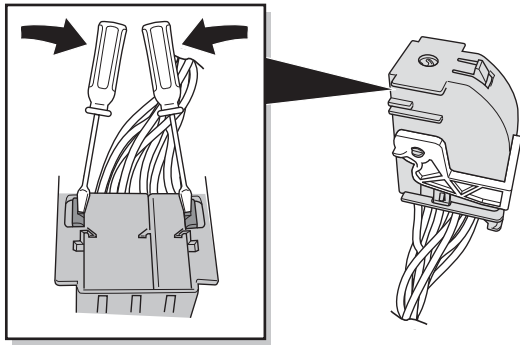
Blue/Red



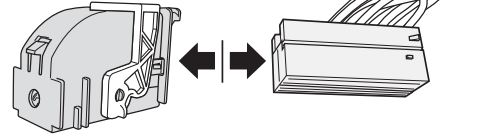
13



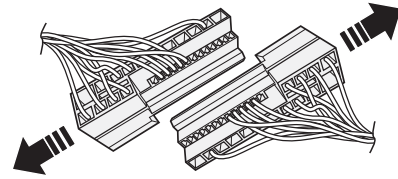
14



1

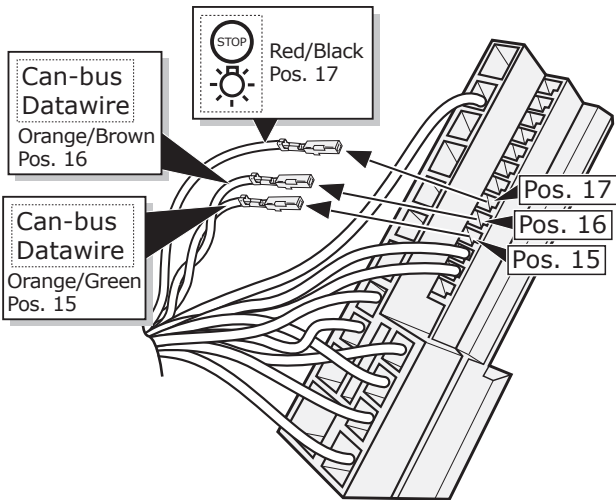


2

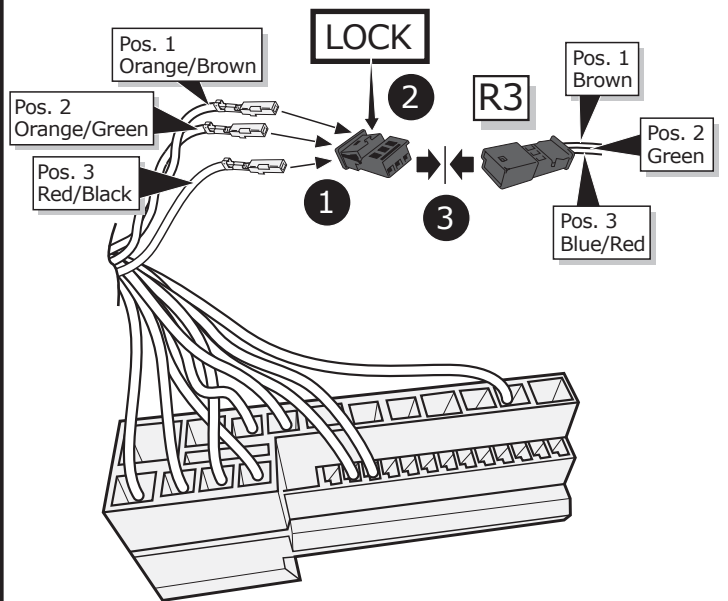


3

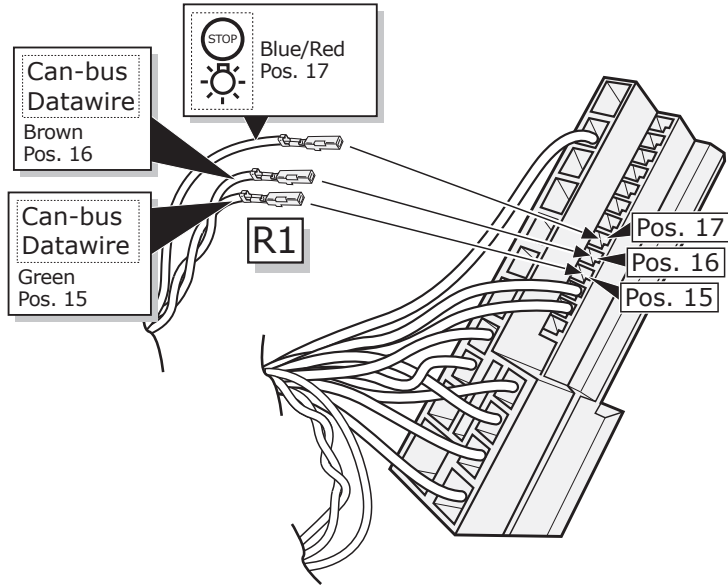
15



16

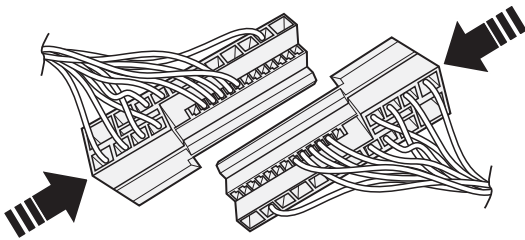


17

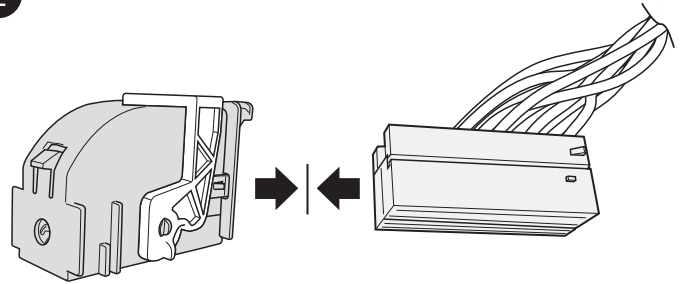


18

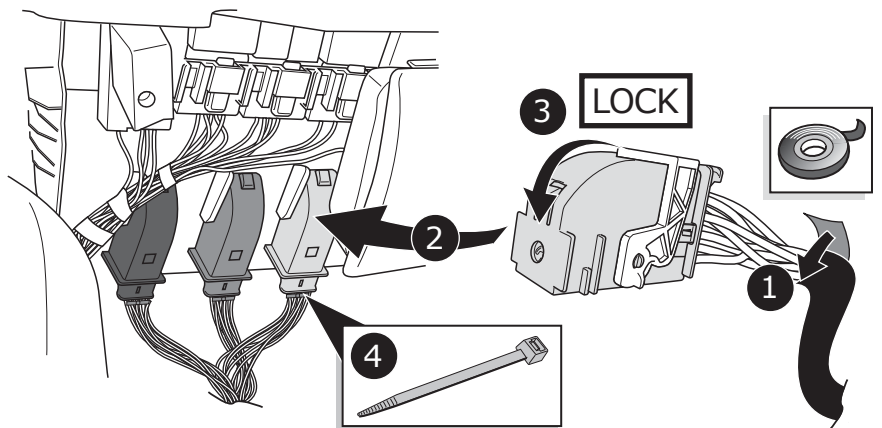
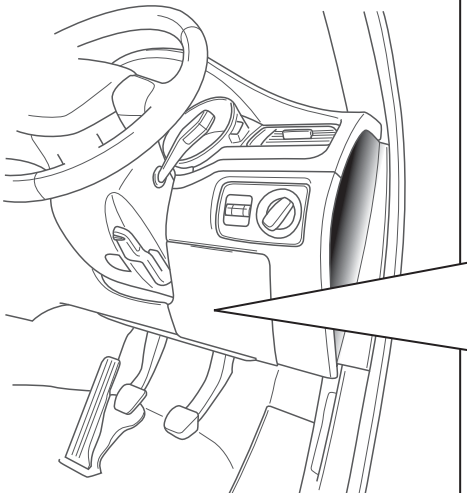
1



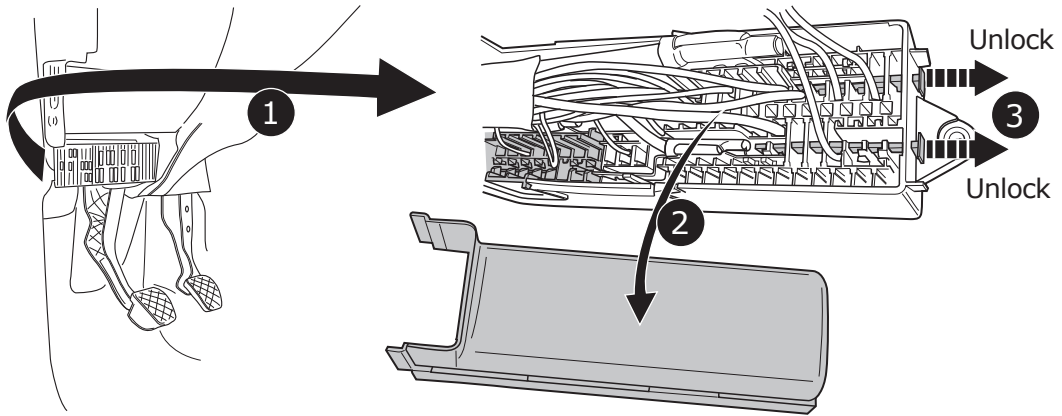
2



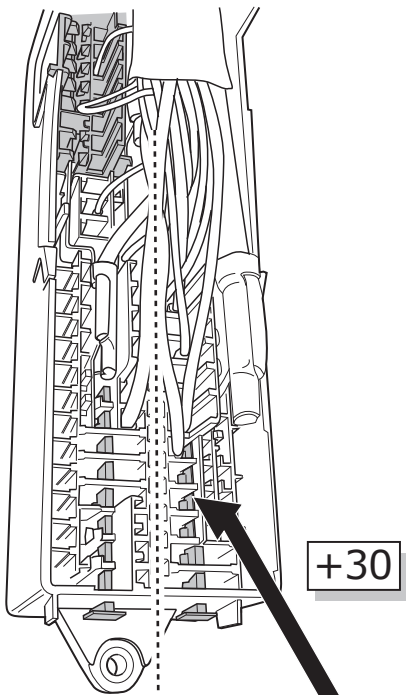
19



20



21



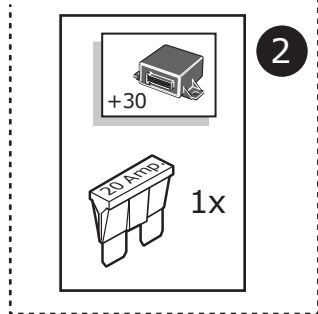
+30

1

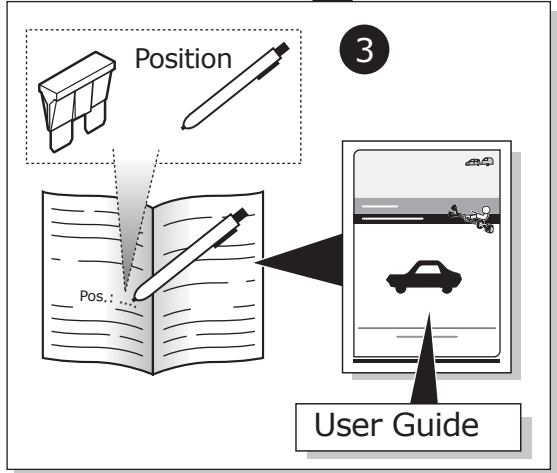
R2

Orange

+30



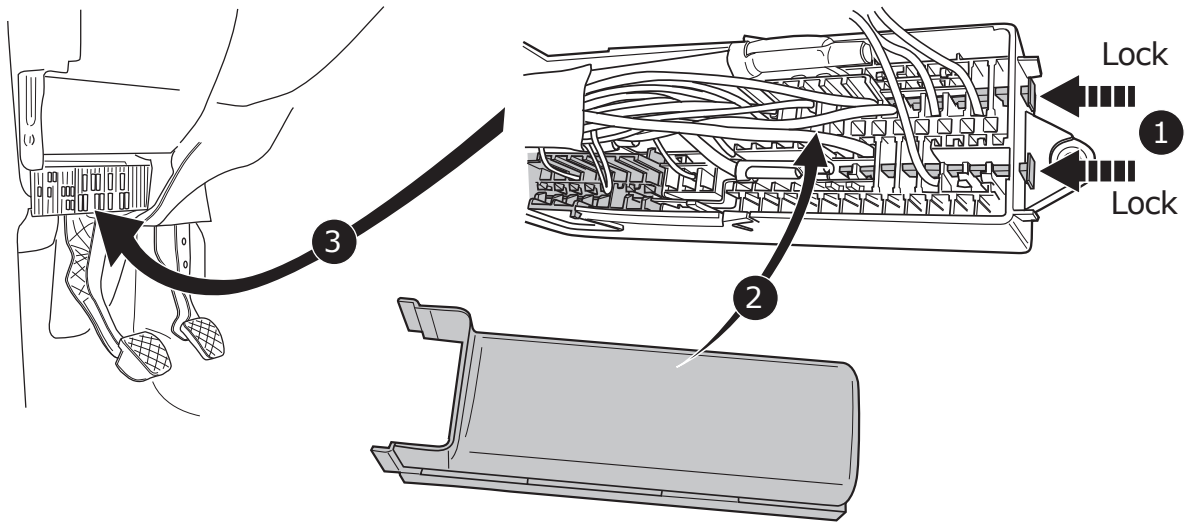
2



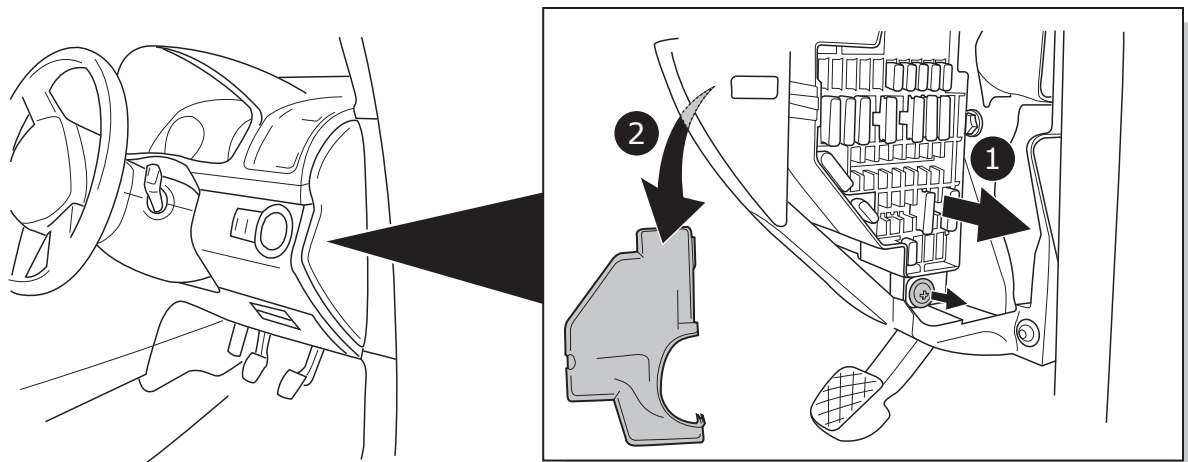
3

User Guide

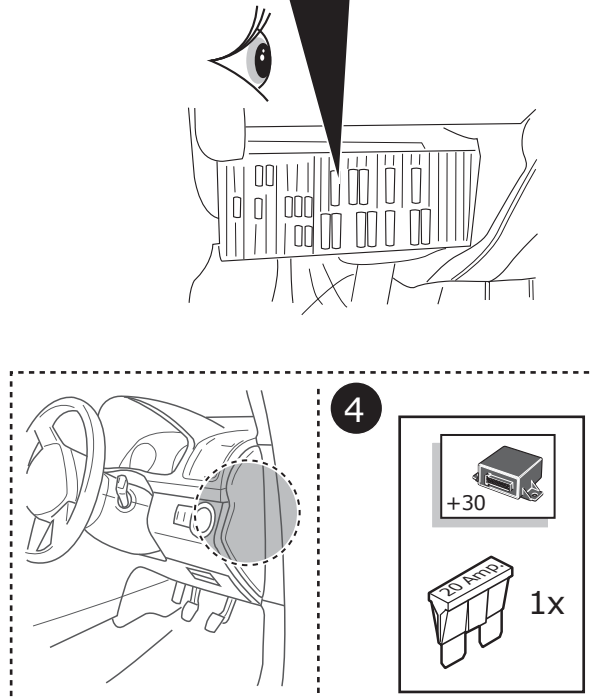
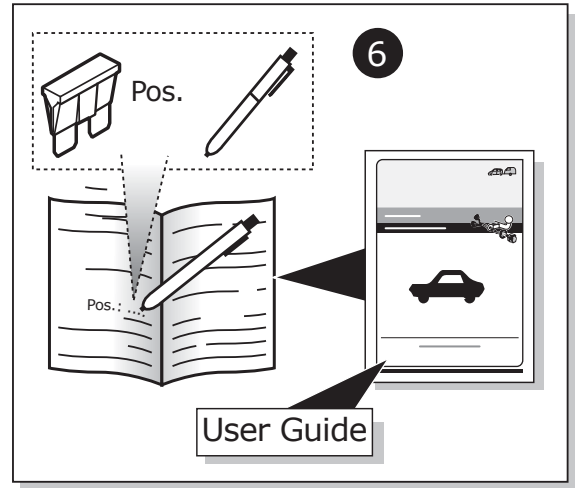
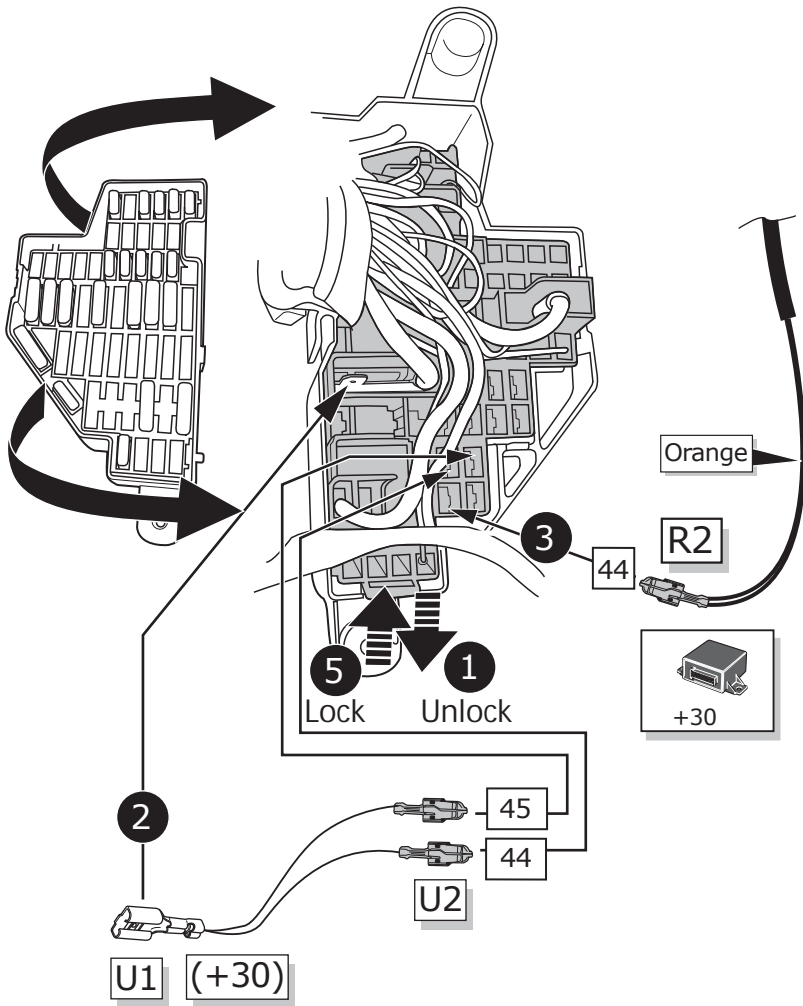
22



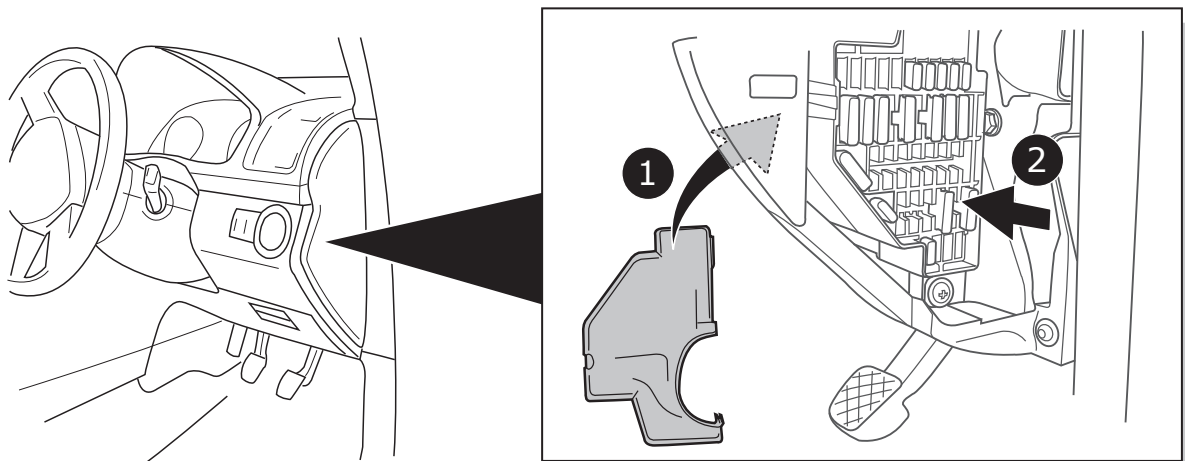
23



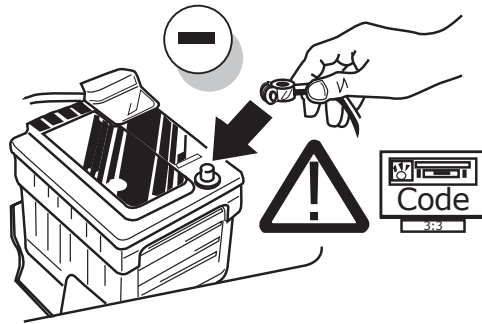
24



25



26



27

A VAG Service Tester must be used to code the vehicle's Gateway with the additional function for the towing hitch at the dealer.

28

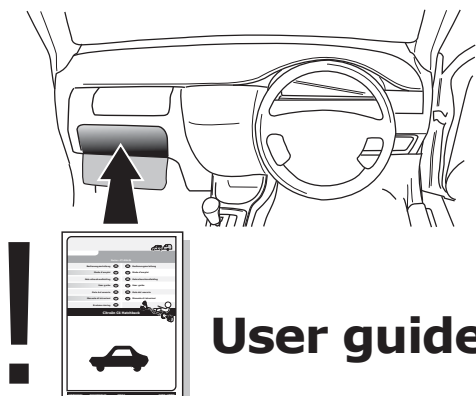


TEST ALL THE CIRCUITS WITH A TEST DEVICE WITH THE CORRECT POWER LOAD FOR EACH FUNCTION. A TEST DEVICE WITH LED'S CANNOT BE USED FOR THIS PURPOSE.

INFO

REINSTALL TRIM.

29



User guide



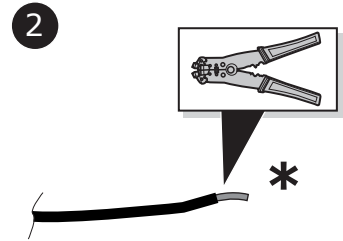
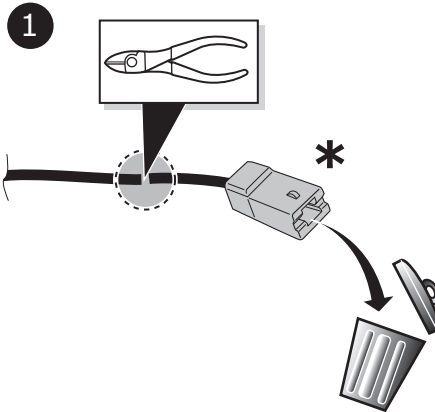
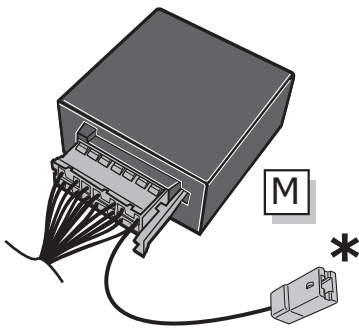
INFO

SOCKET CONNECTION

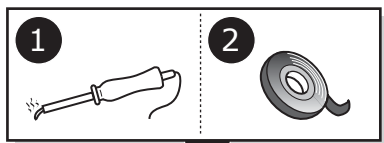
DIN/ISO 1724							
	1/L	2	3/31	4/R	5/58-R	6/54	7/58-L
Pmax	21W	21W		21W	42W	3x21W	42W
Colour	Black/ White	Blue	Brown	Black/ Green	Grey/ Red	Black/ Red	Grey/ Black

Reverse signal preparation

A



B



⚠ MAX = 21W