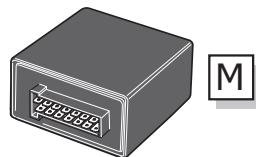
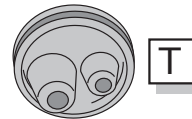
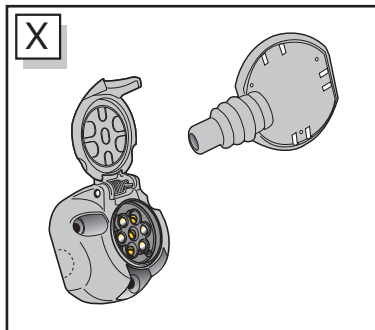
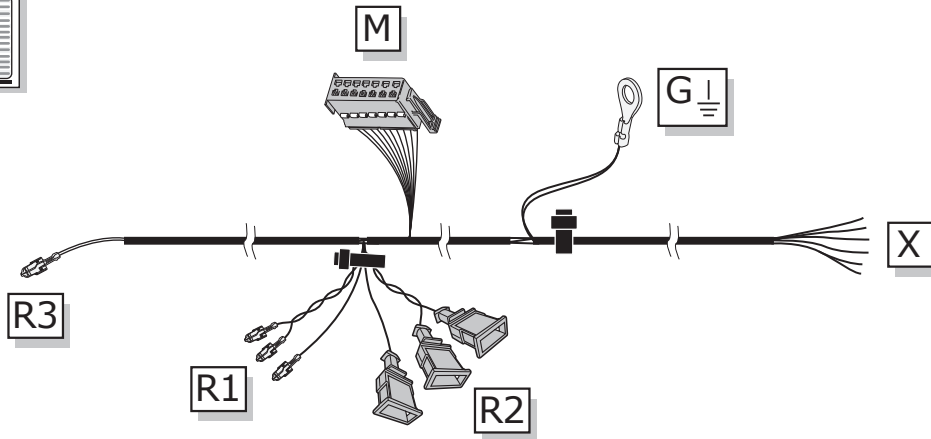
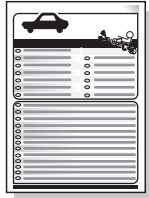
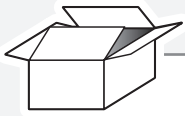


Volkswagen Touareg (7L) 2003- -05/2010 Partnr.: VW-103-B1U

- Fitting instructions electric wiring kit tow bar with 12-N socket up to DIN/ISO Norm 1724.
- We would expressly point out that assembly not carried out properly by a competent installer will result in cancellation of any right to damage compensation, in particular those arising by virtue of the product liability act.
- Contents of these kits and their fitting manuals are subject to alteration without notice, please ensure that these instructions are read and fully understood before commencing installation.
- Do not overload circuits; the maximum loads per connection are detailed in this manual.
- Attention! Before Installation, please read this manual carefully and inform your customer to consult the vehicle owners manual to check for any vehicle modifications required before towing.
- In the event of functional problems, troubleshooting must be limited to about 0.5 hours, contact the technical support:
t.skinner@ecs-electronics.com / 07440 202 052.

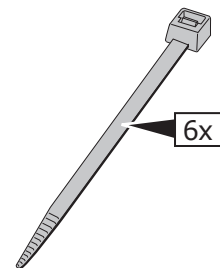
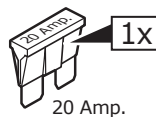
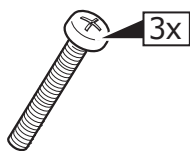


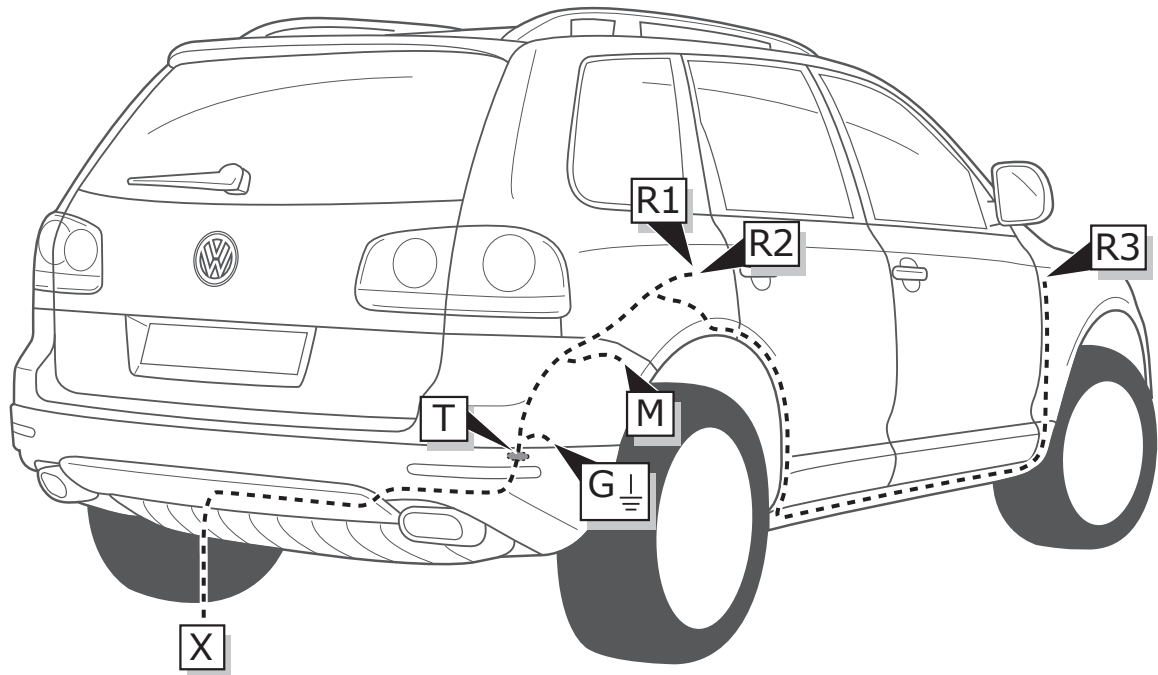
Part list



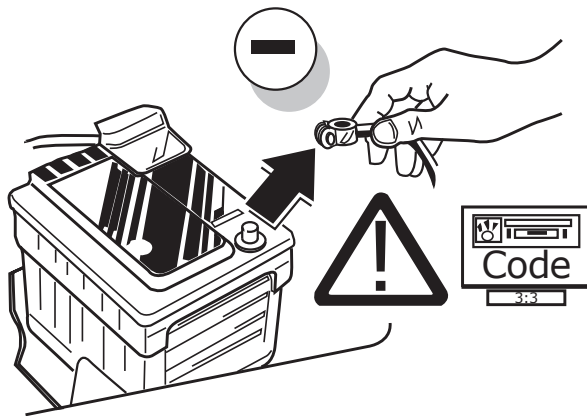
UN-243-YZ
 Optional reverse lamp
 pre-wire extension included

Pag. 13

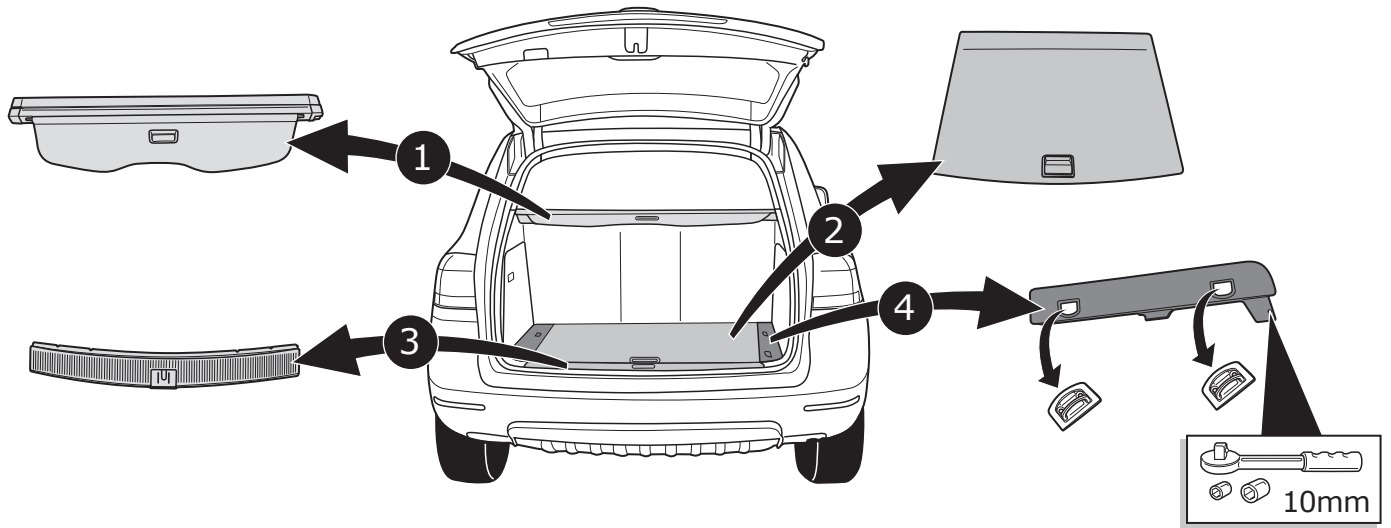




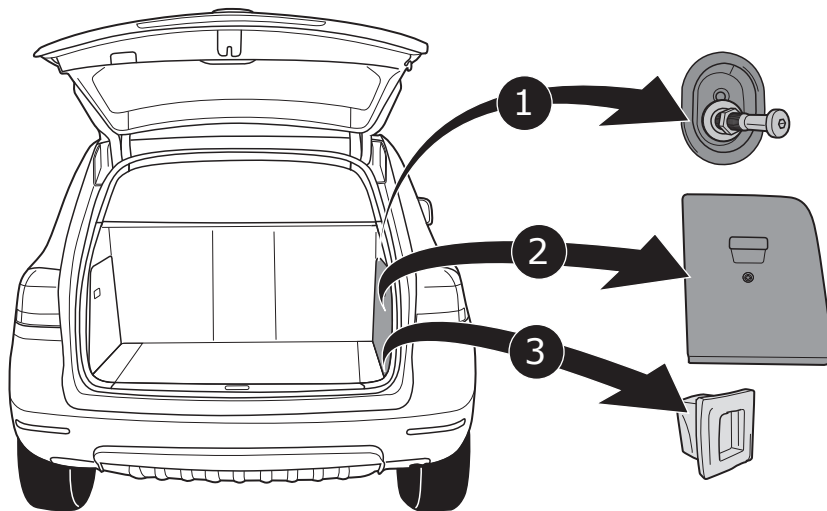
1



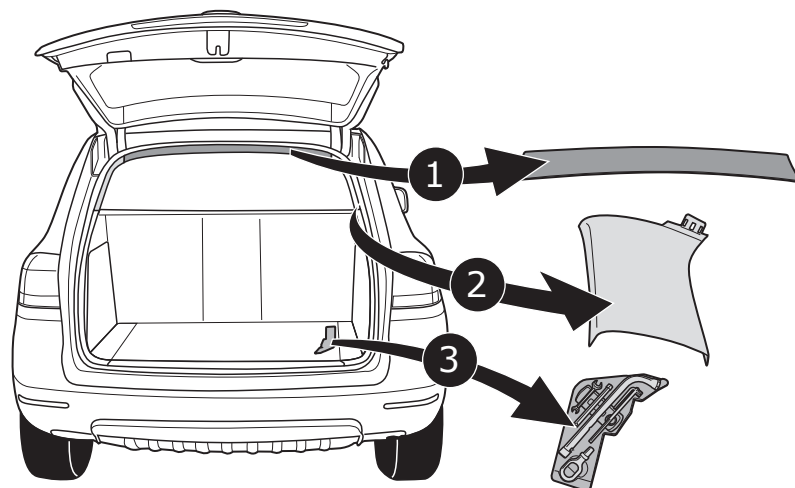
2



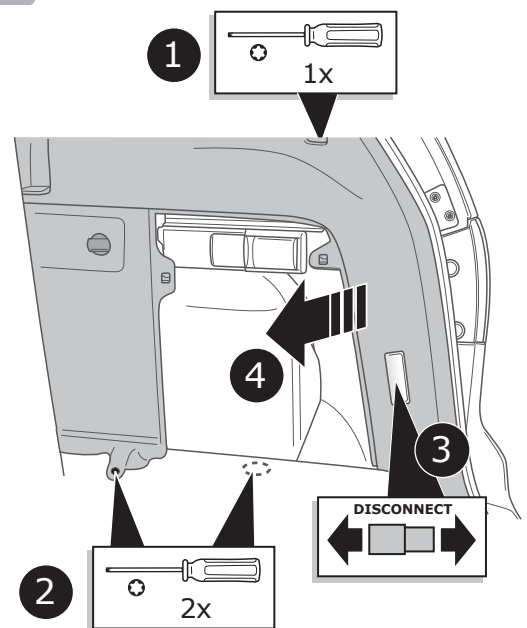
3

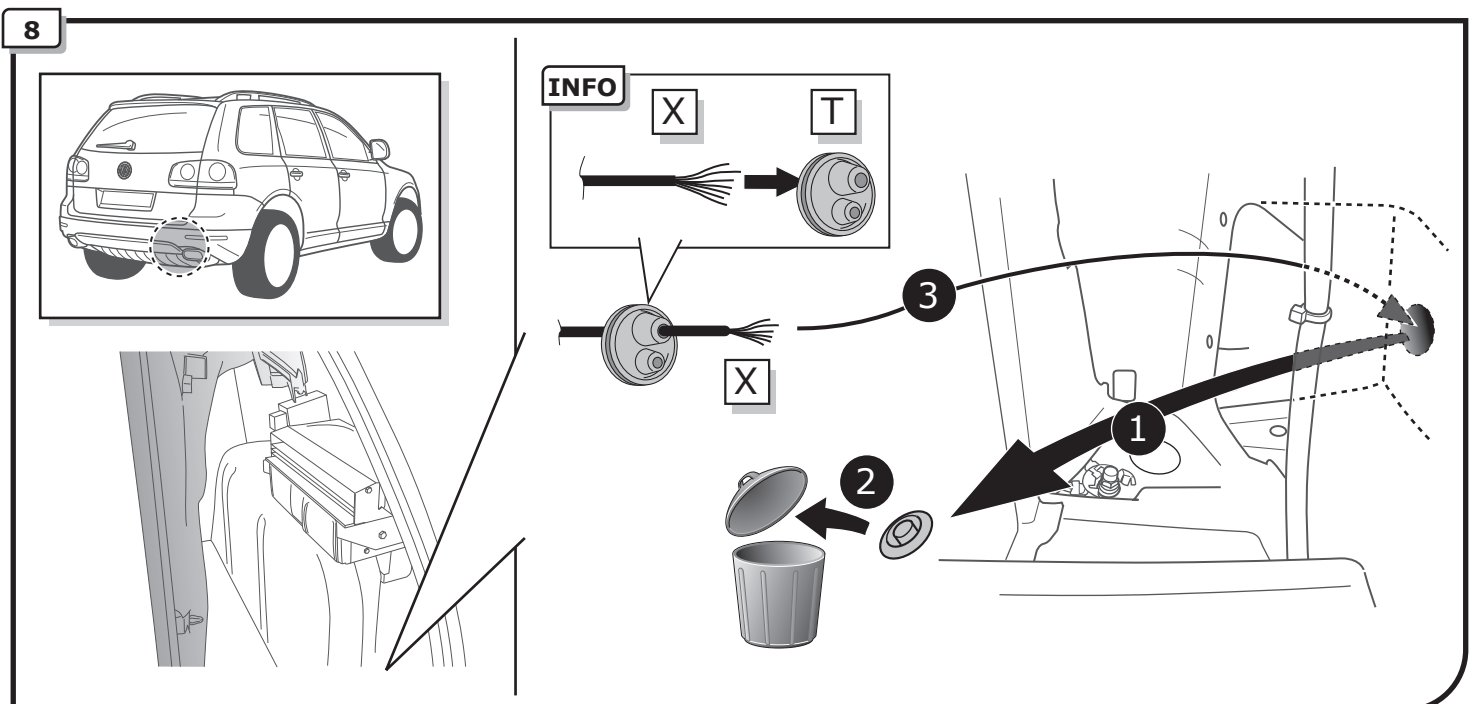
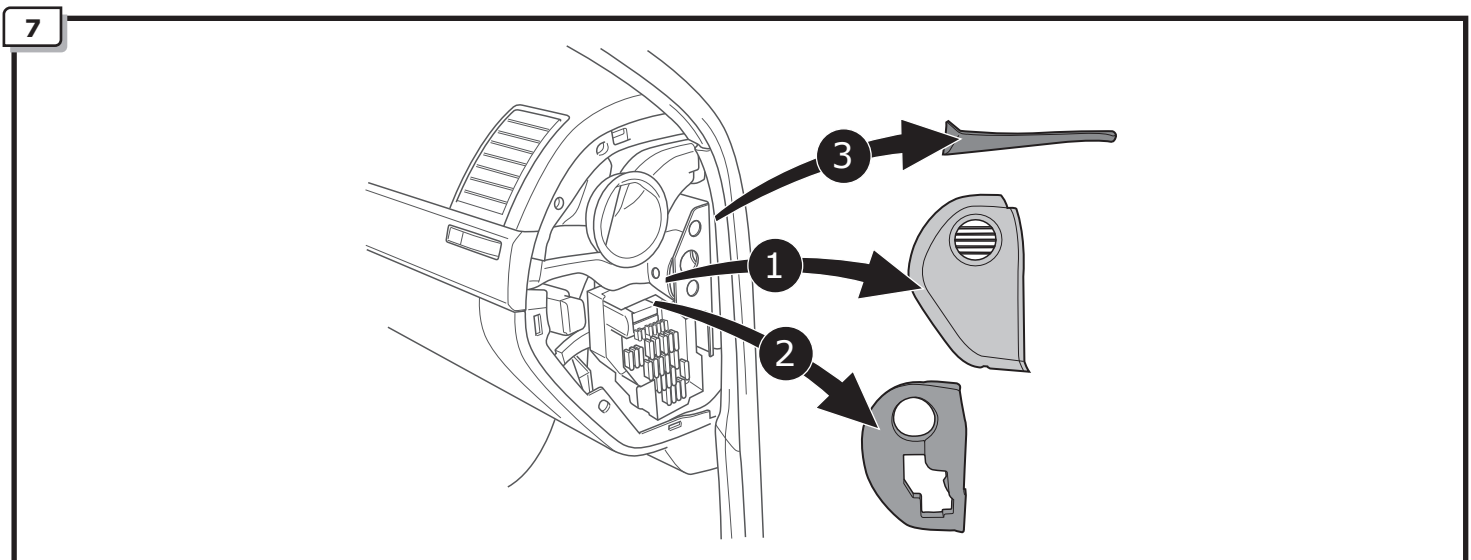
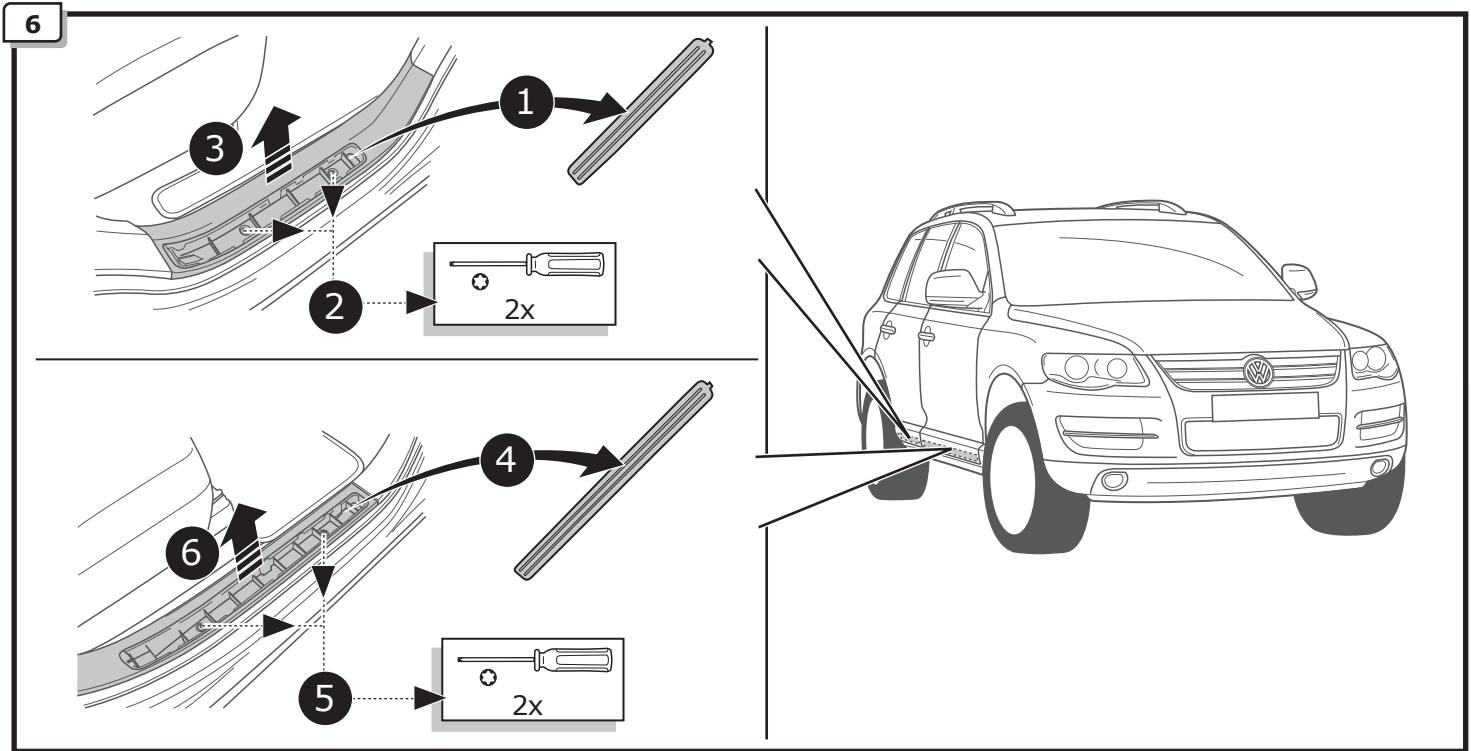


4



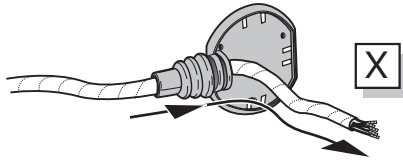
5



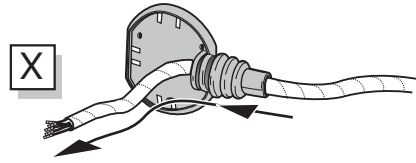


A

Option 1



Option 2



B

SOCKET CONNECTION

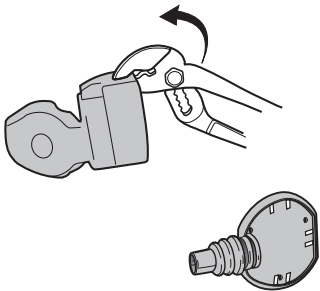


Pag. 12

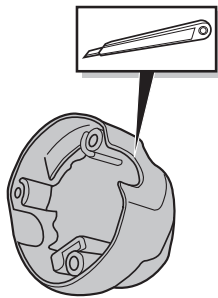
C

Option 1

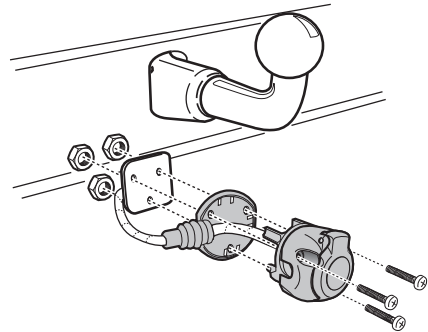
1



2



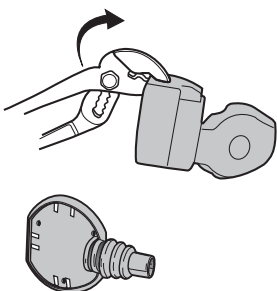
3



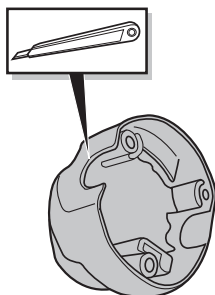
D

Option 2

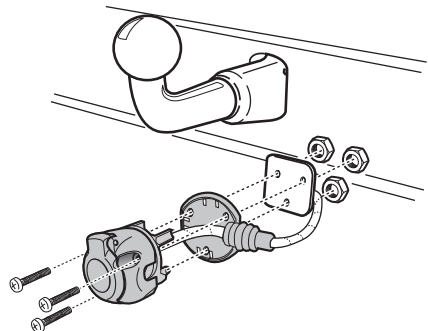
1



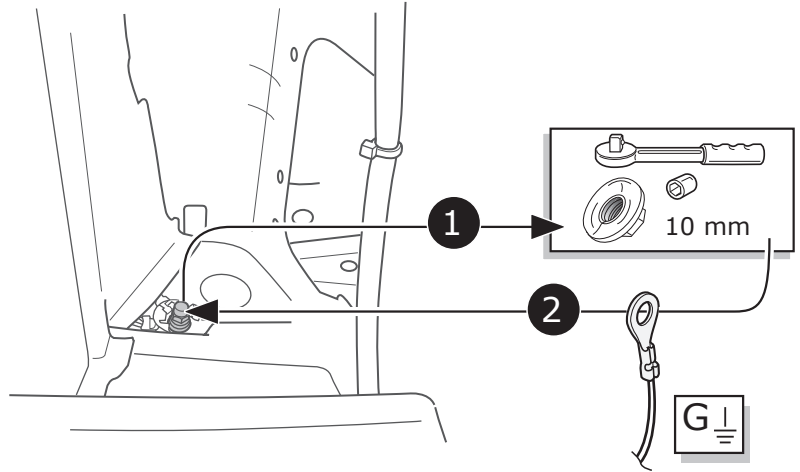
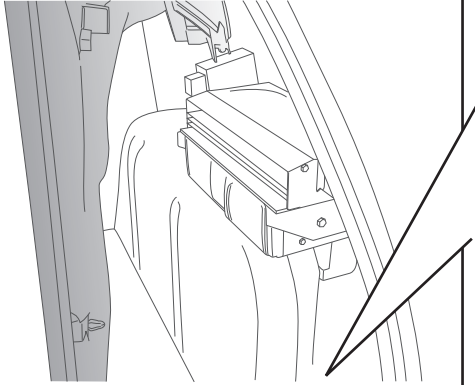
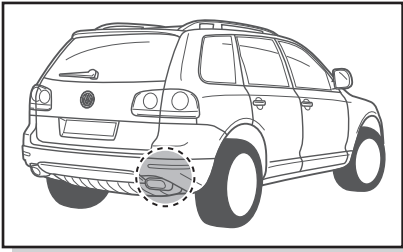
2



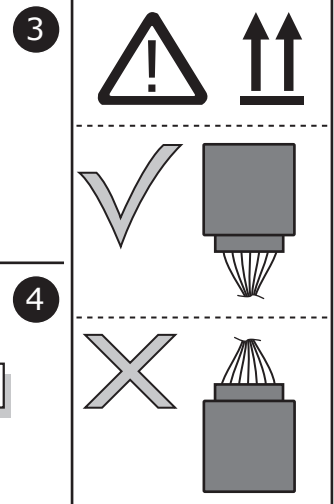
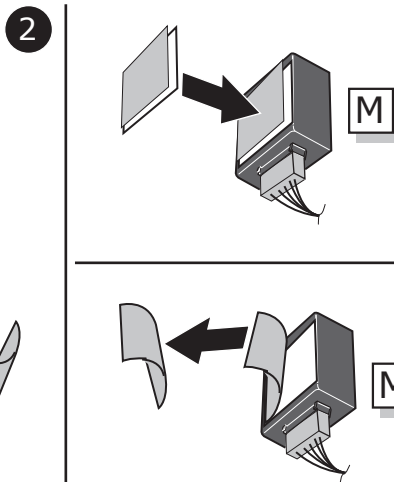
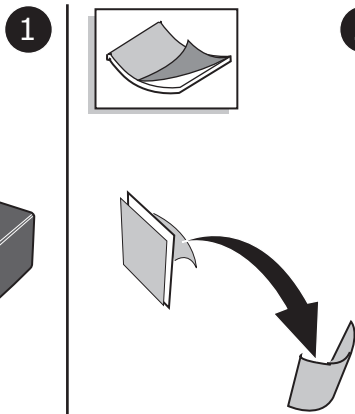
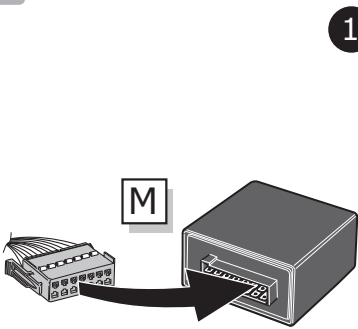
3



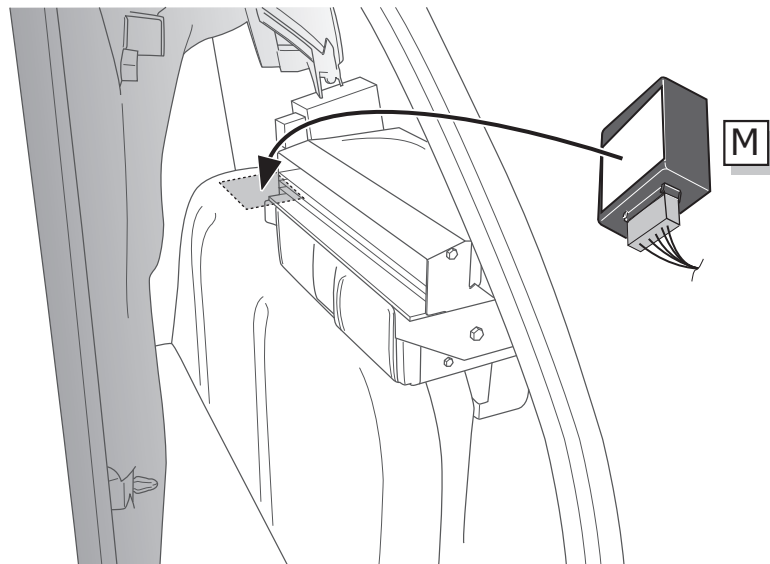
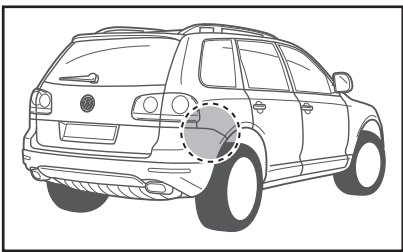
9



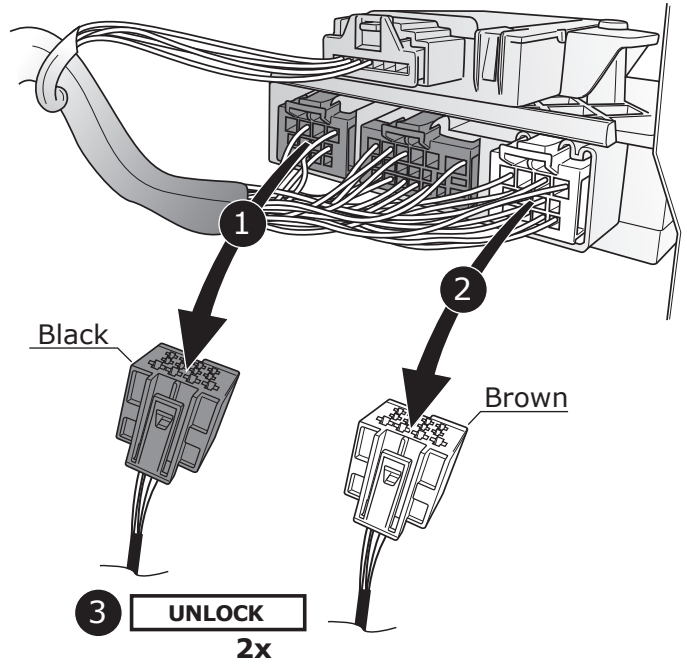
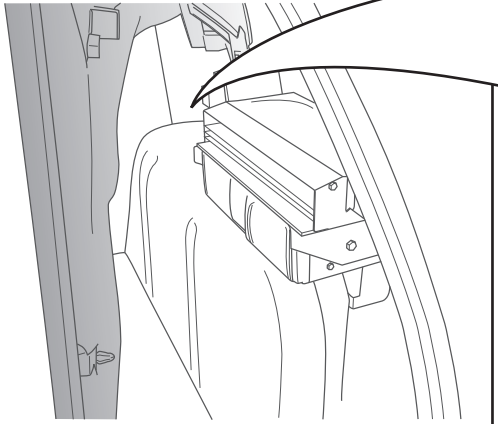
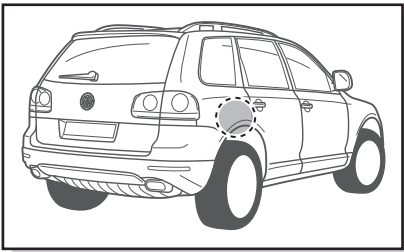
10



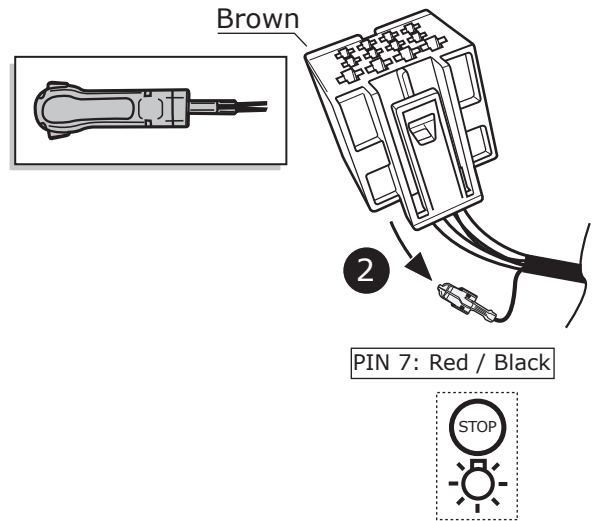
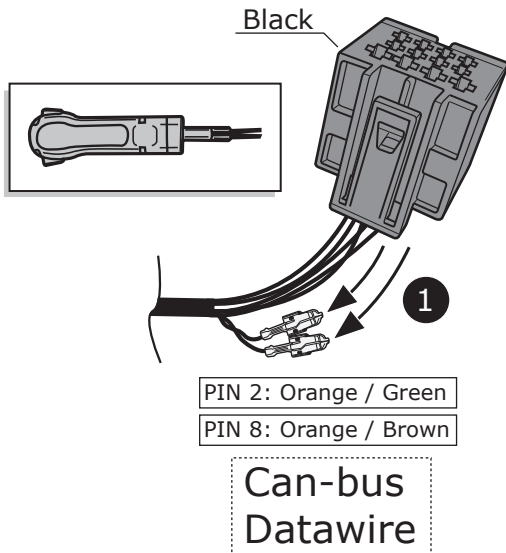
11



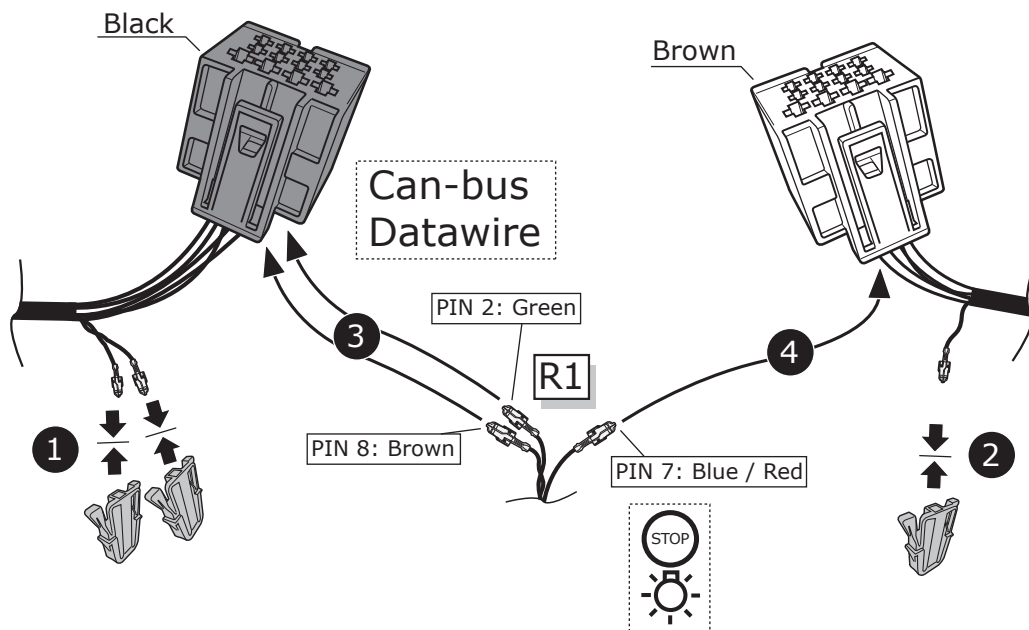
12



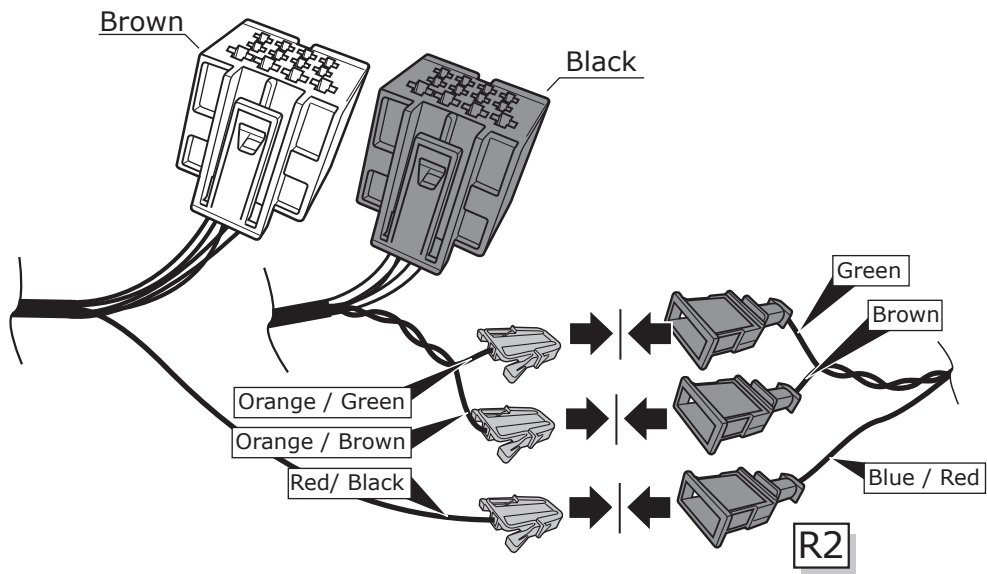
13



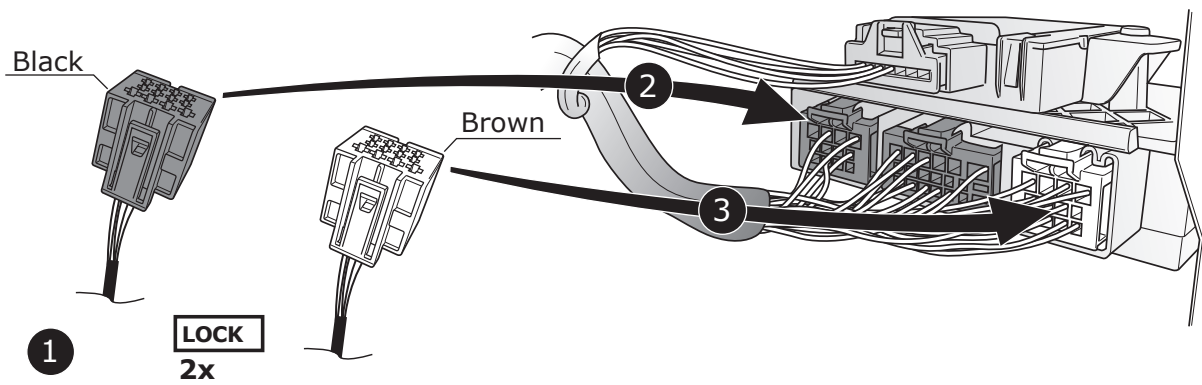
14



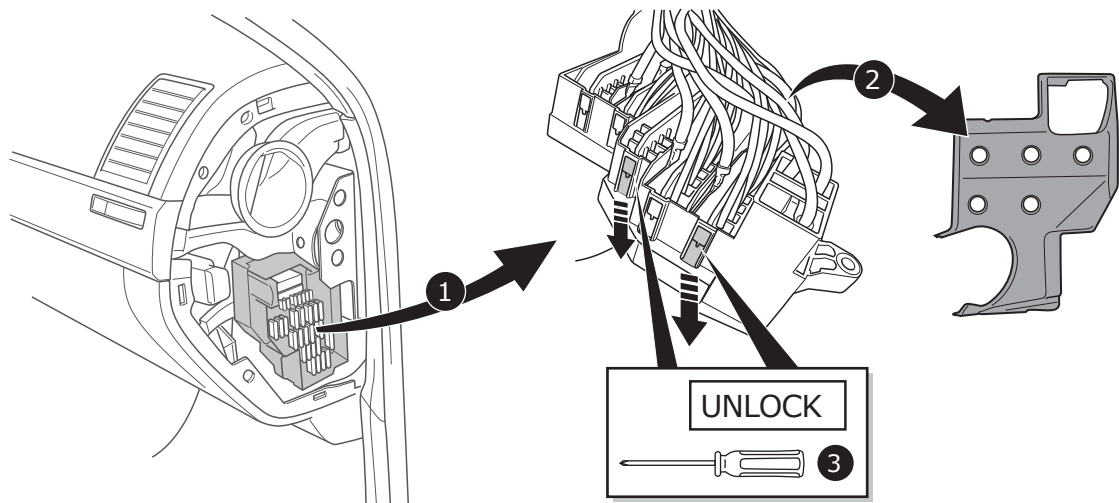
15

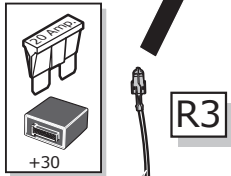
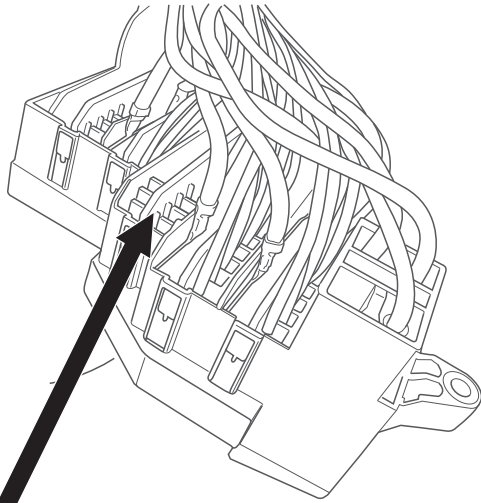
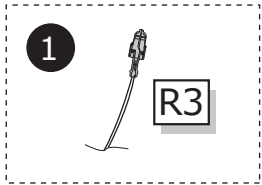


16



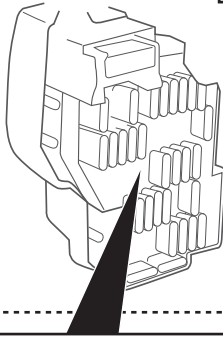
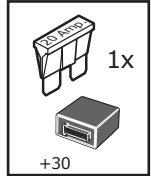
17



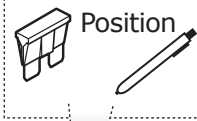


Pos. 19 Orange

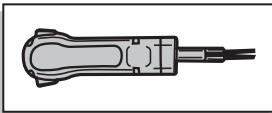
2



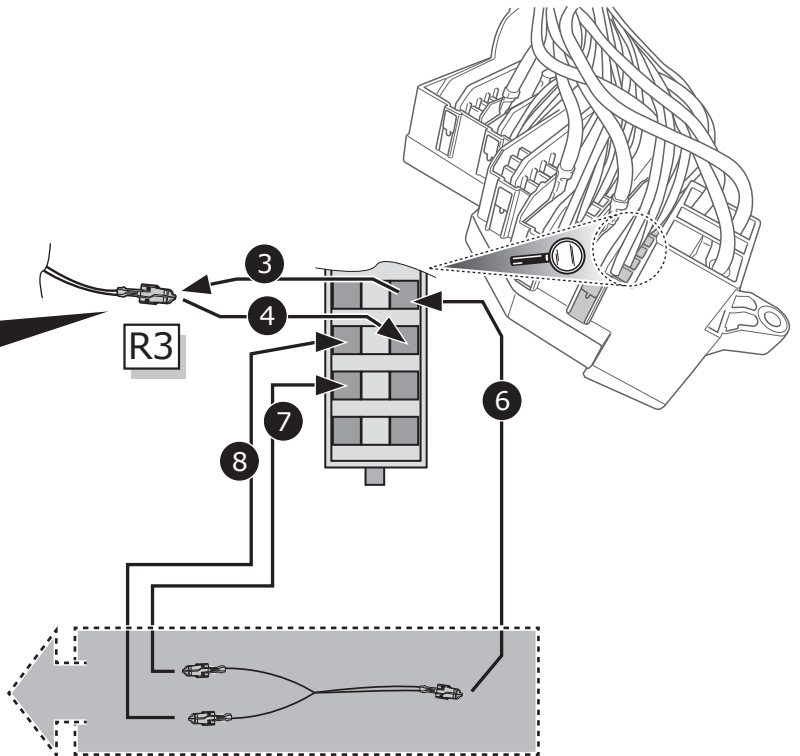
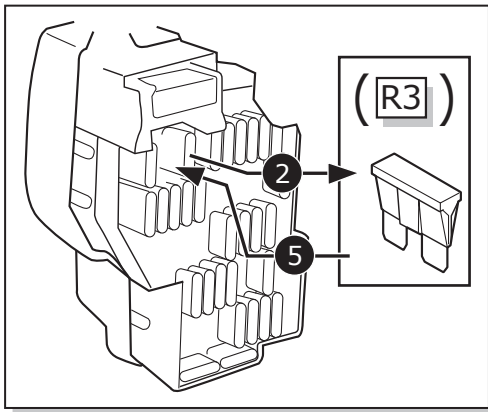
3



User Manual.

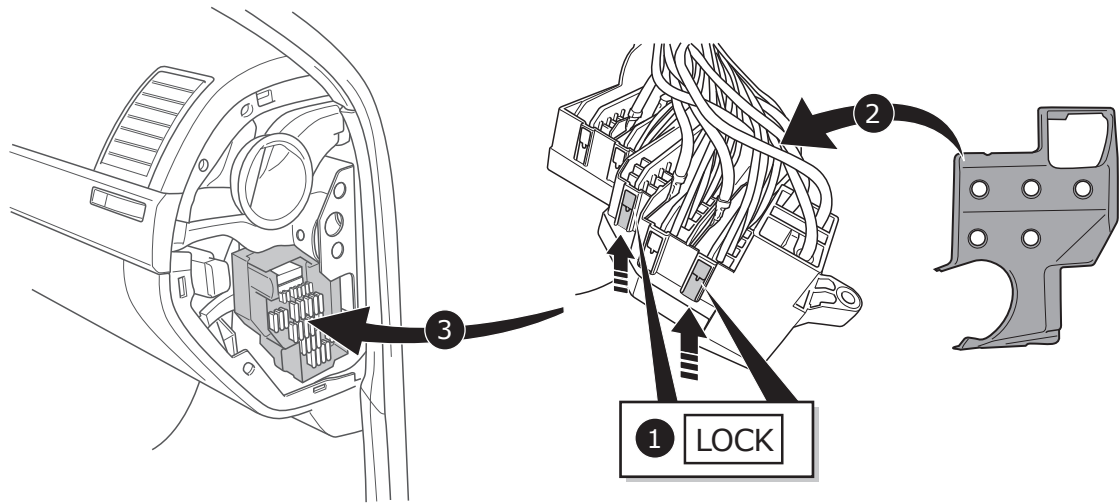


OPTION (if no free position available)

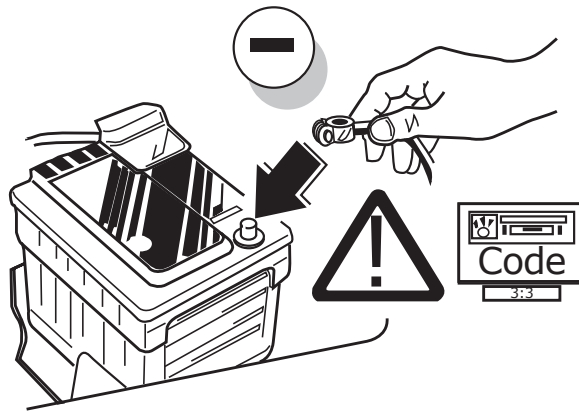


Supplier
UN-145-YZ

20



21



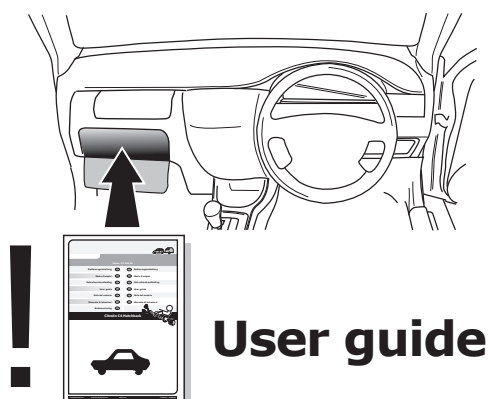
22

A VAG Service Tester must be used to code the vehicle's Gateway with the additional function for the towing hitch at the dealer.

! TEST ALL THE CIRCUITS WITH A TEST DEVICE WITH THE CORRECT POWER LOAD FOR EACH FUNCTION. A TEST DEVICE WITH LED'S CANNOT BE USED FOR THIS PURPOSE.

INFO

REINSTALL TRIM.



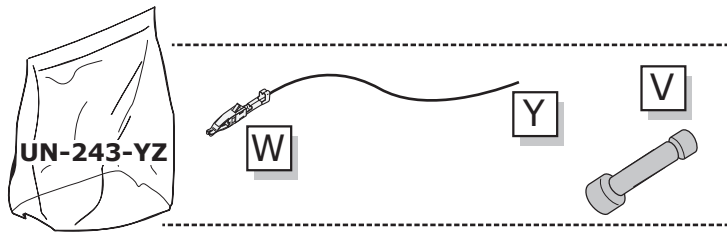
INFO

SOCKET CONNECTION

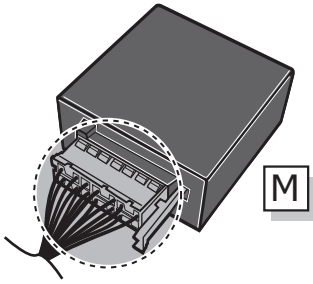
DIN/ISO 1724								
Pmax	21W	21W		21W	42W	3x21W	42W	
Colour	Black/White	Blue	Brown	Black/Green	Grey/Red	Black/Red	Grey/Black	Grey

UN-243-YZ Reverse lamp pre-wire extension

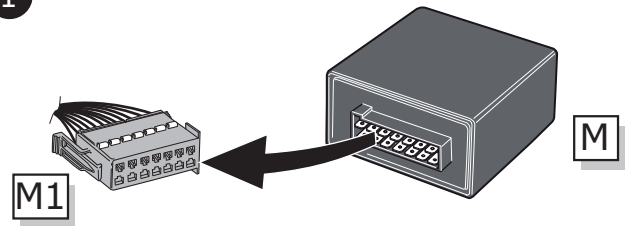
⚠ MAX = 21W



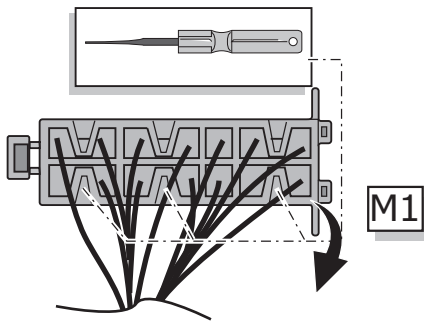
A



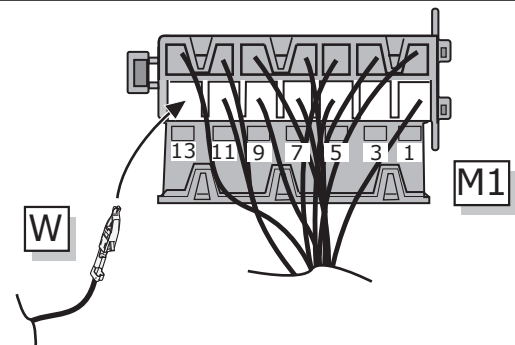
1



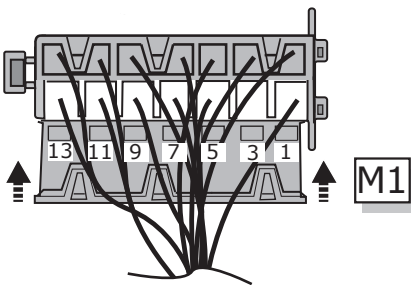
2



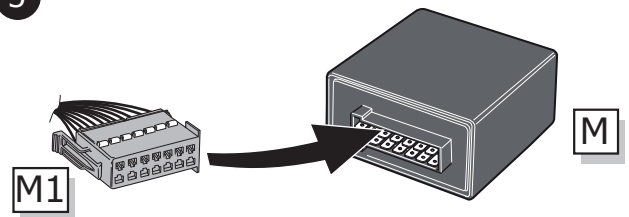
3



4



5



B

⚠ MAX = 21W

