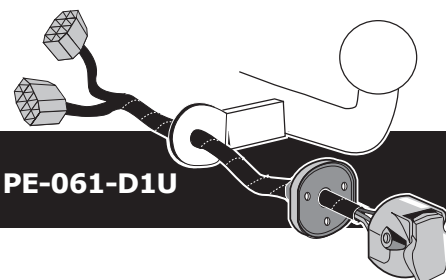


**Peugeot 508 Sedan (W2) 01/2011-
Peugeot 508 SW (W2) 01/2011-
Peugeot 508 RXH (W2) 04/2012-**

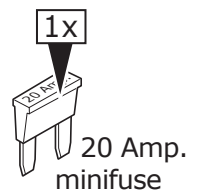
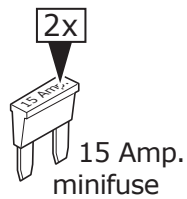
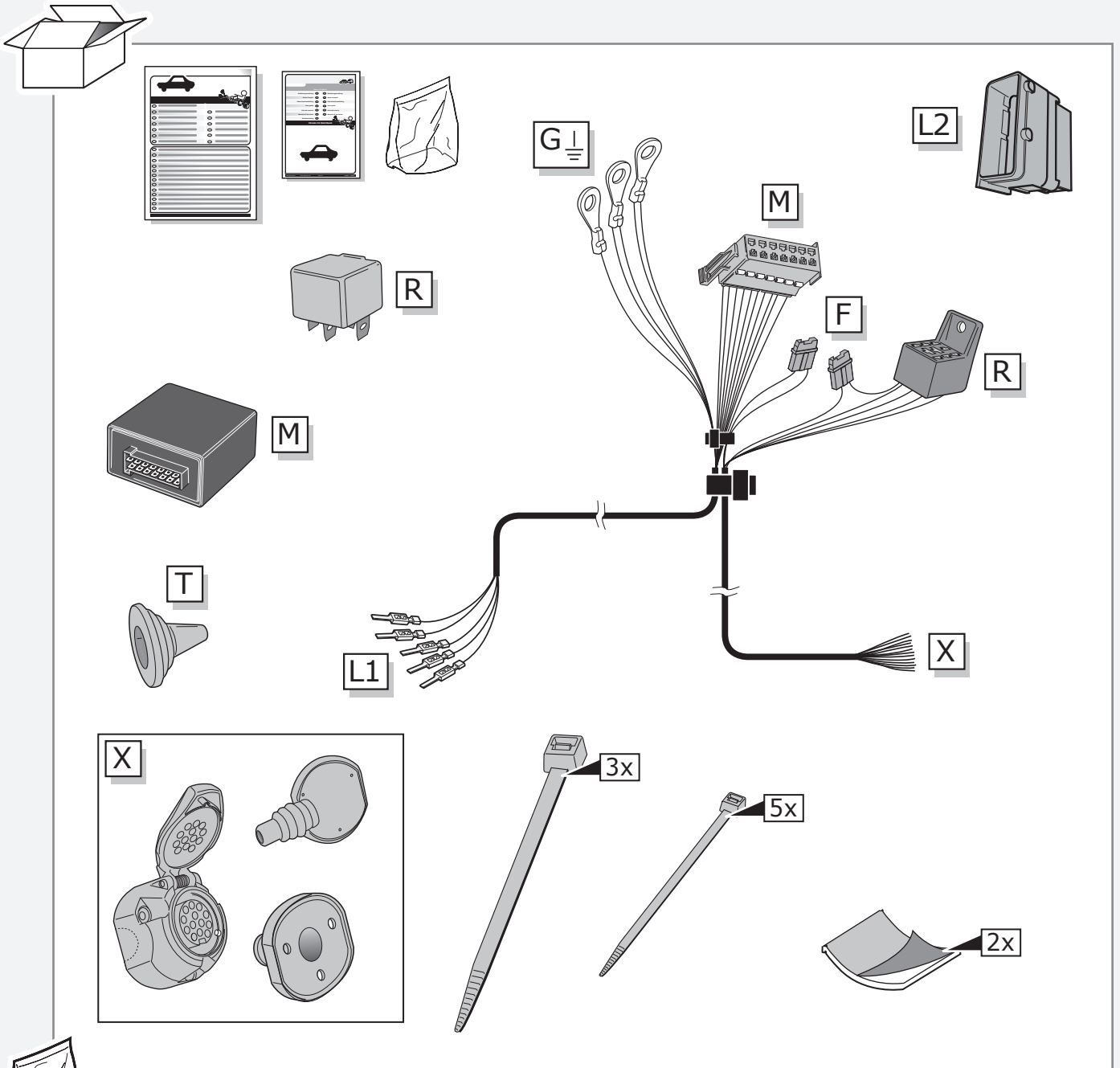


Partnr.: PE-061-D1U

- Fitting instructions electric wiring kit tow bar with 13-P socket up to DIN/ISO Norm 11446.
- We would expressly point out that assembly not carried out properly by a competent installer will result in cancellation of any right to damage compensation, in particular those arising by virtue of the product liability act.
- Contents of these kits and their fitting manuals are subject to alteration without notice, please ensure that these instructions are read and fully understood before commencing installation.
- Do not overload circuits; the maximum loads per connection are detailed in this manual.
- Attention! Before Installation, please read this manual carefully and inform your customer to consult the vehicle owners manual to check for any vehicle modifications required before towing.
- In the event of functional problems, troubleshooting must be limited to about 0.5 hours, contact the technical support:
t.skinner@ecs-electronics.com / 07440 202 052.

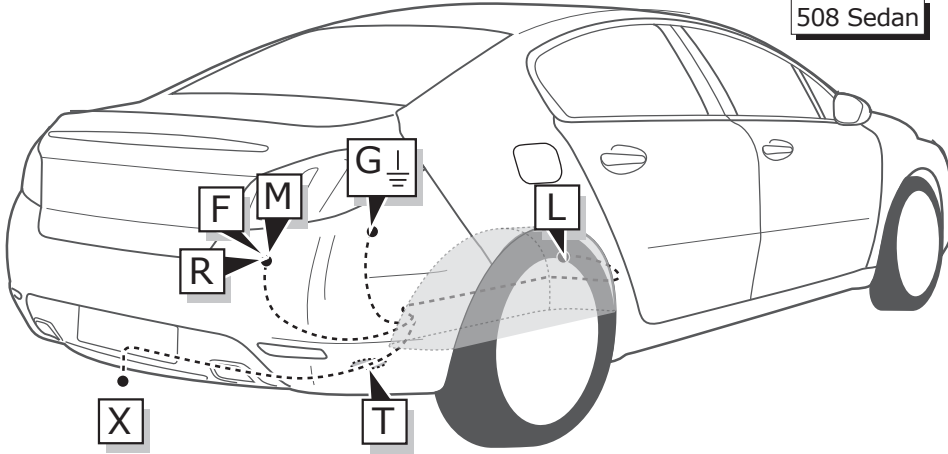


Part list

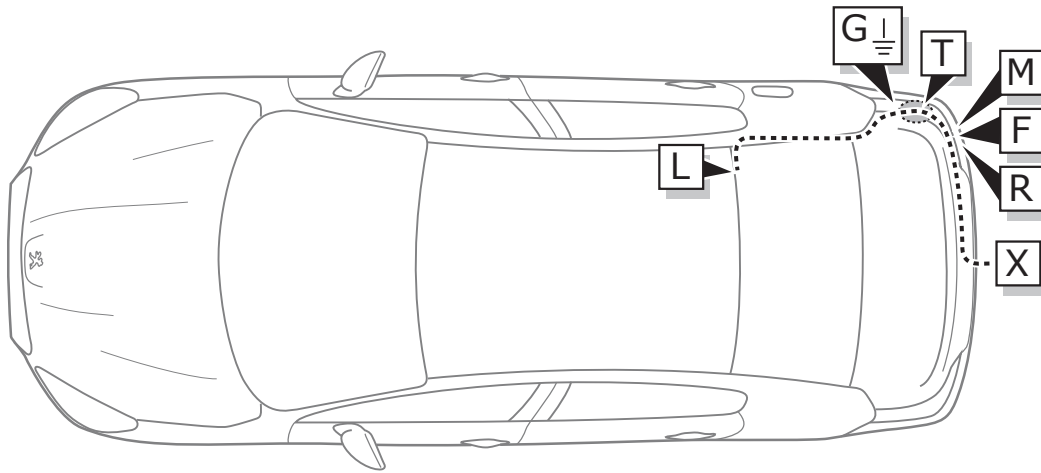
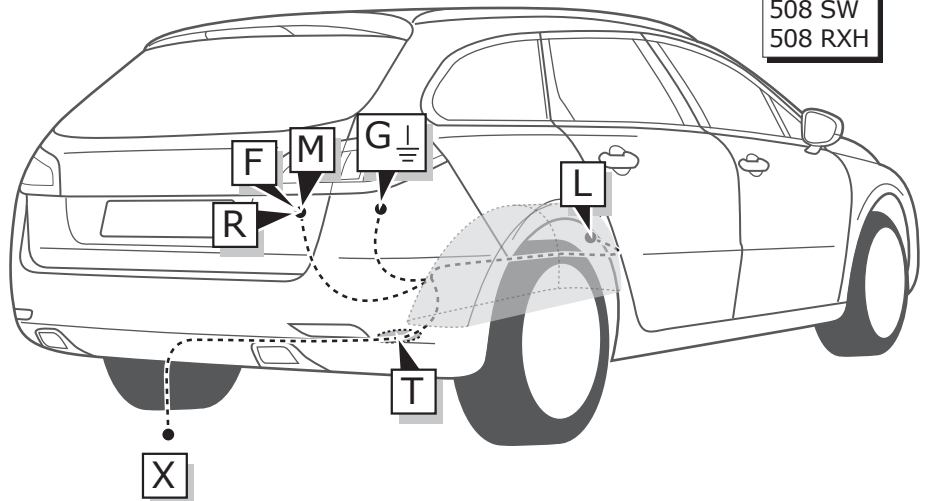


ROUTING

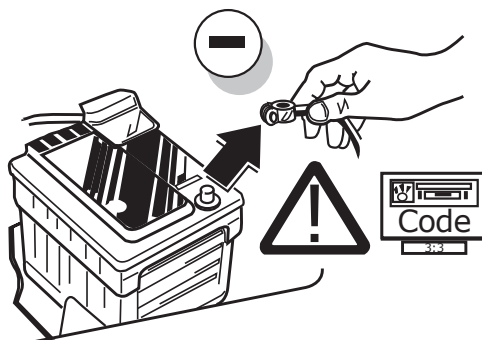
508 Sedan



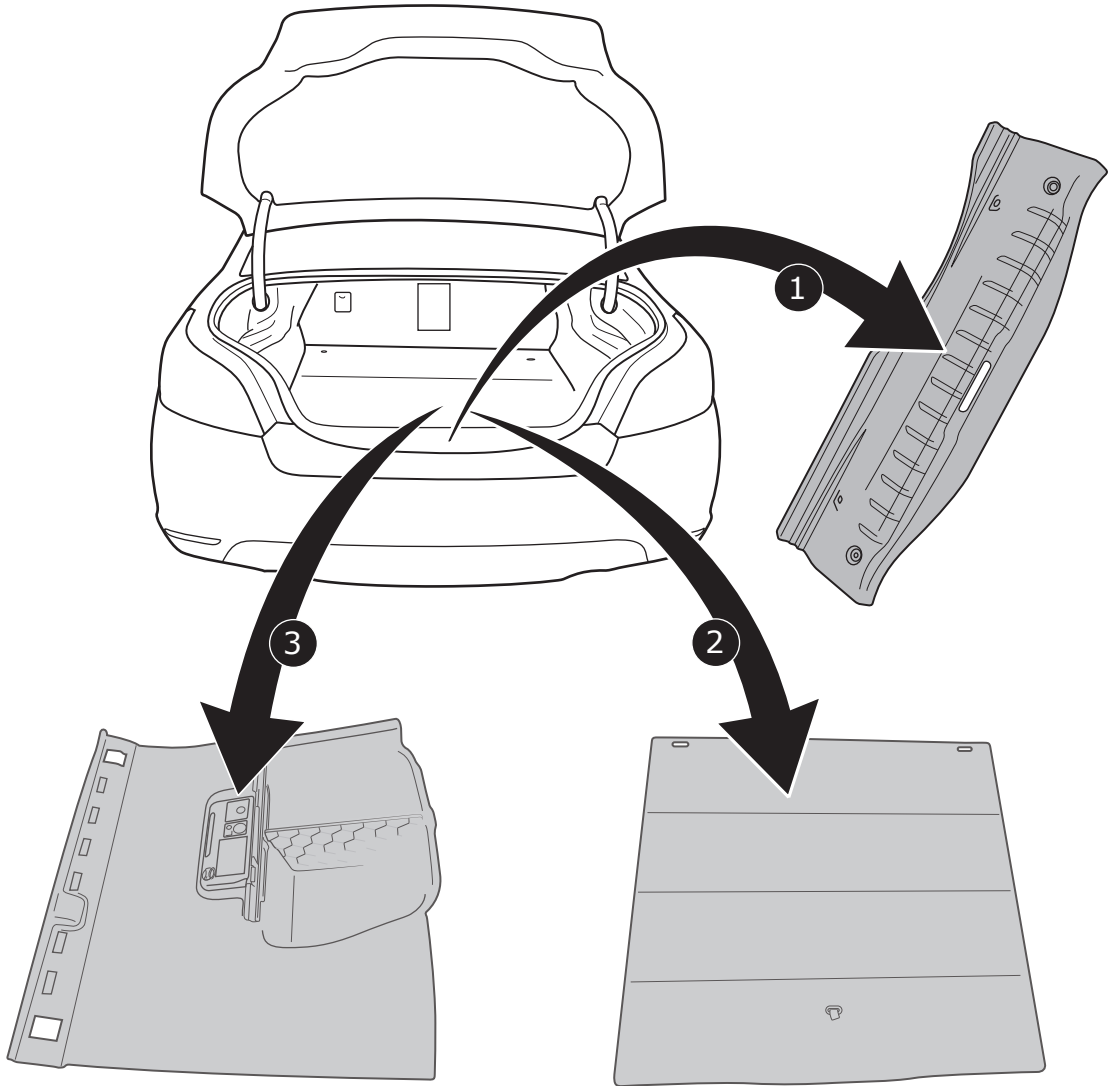
508 SW
508 RXH



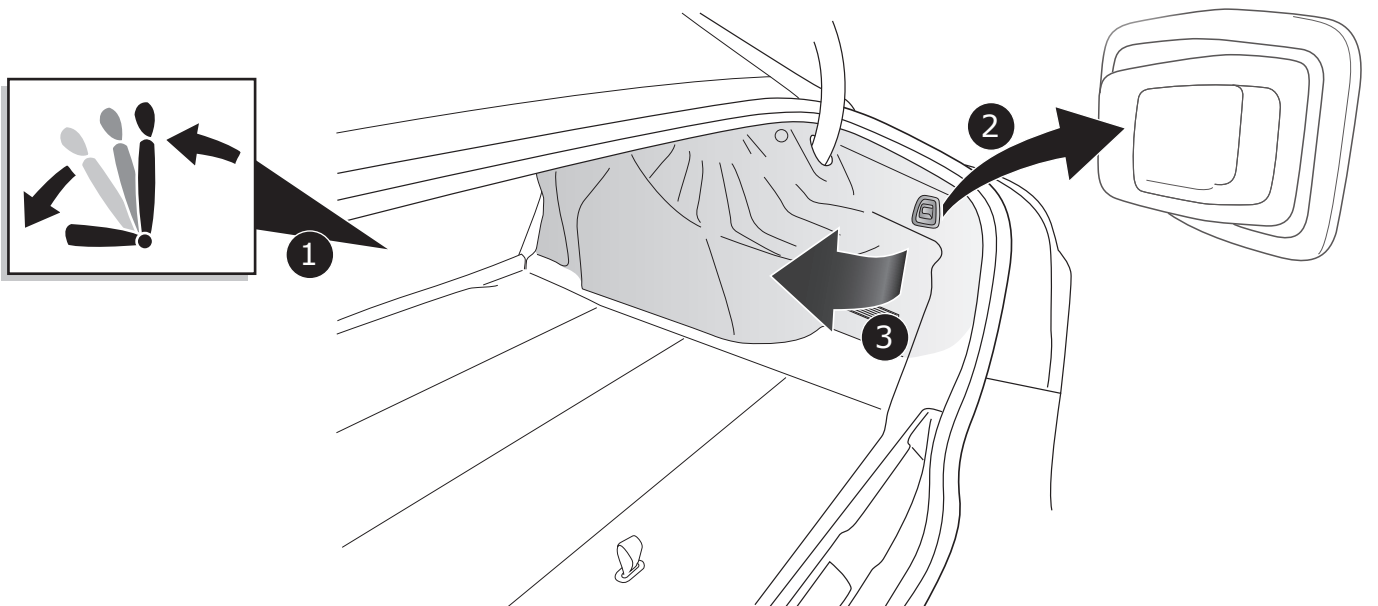
1



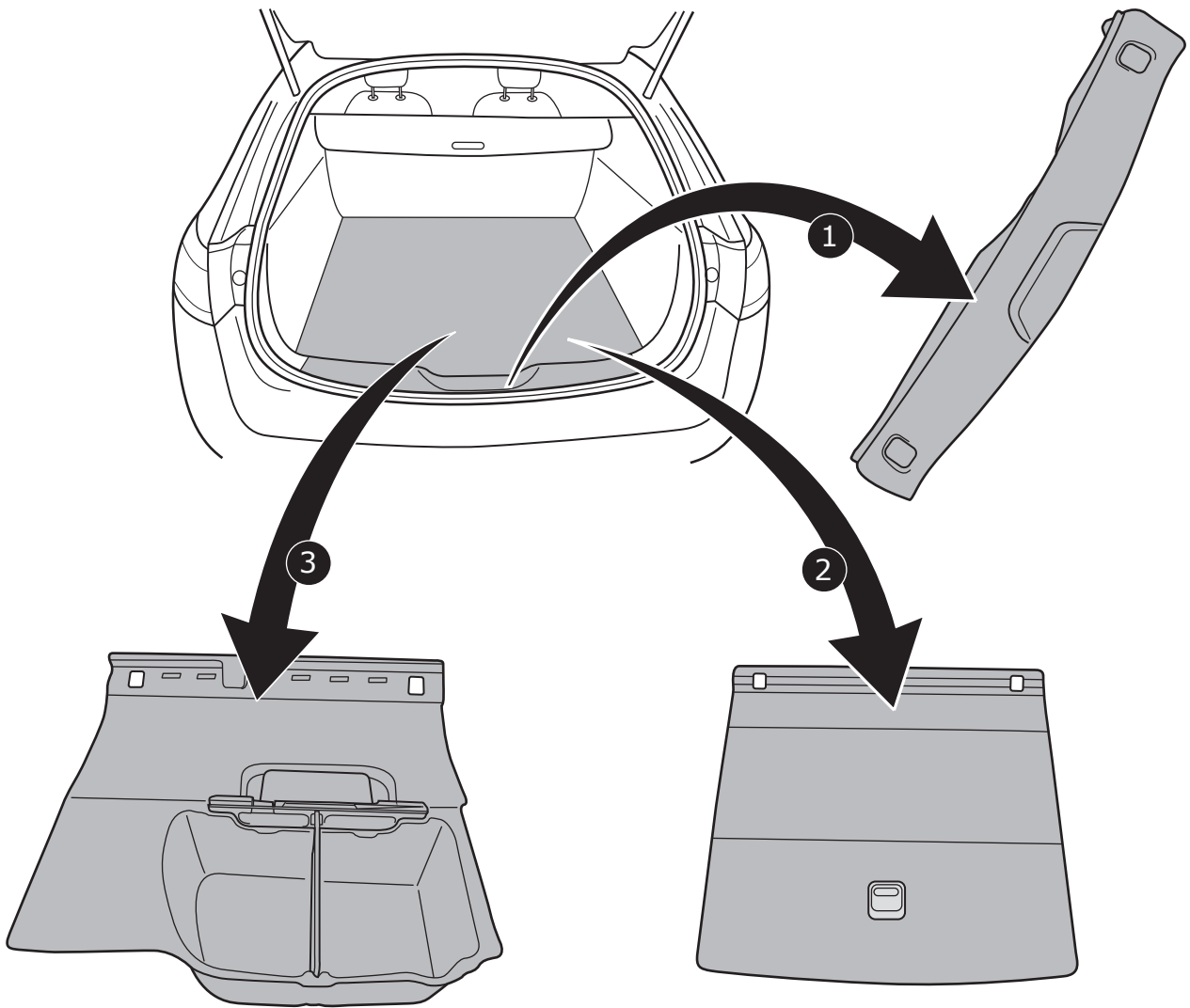
2



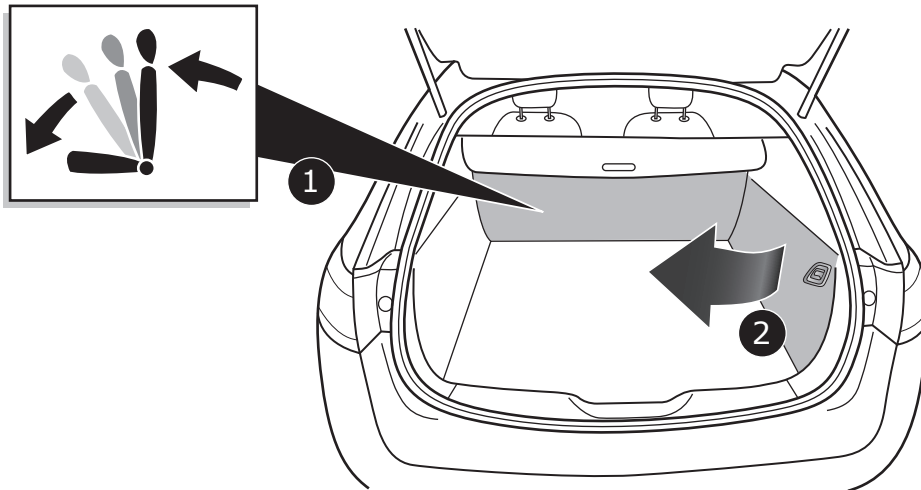
3

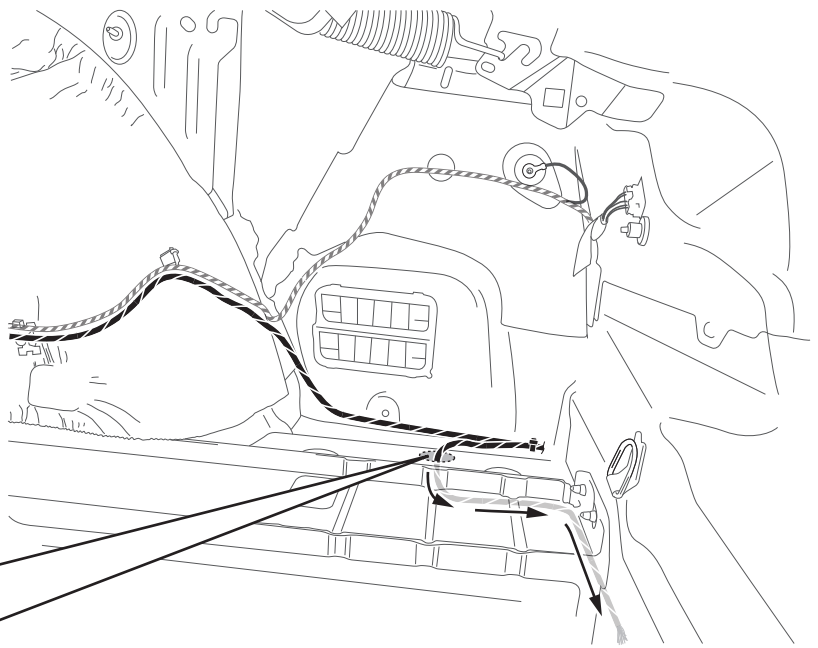
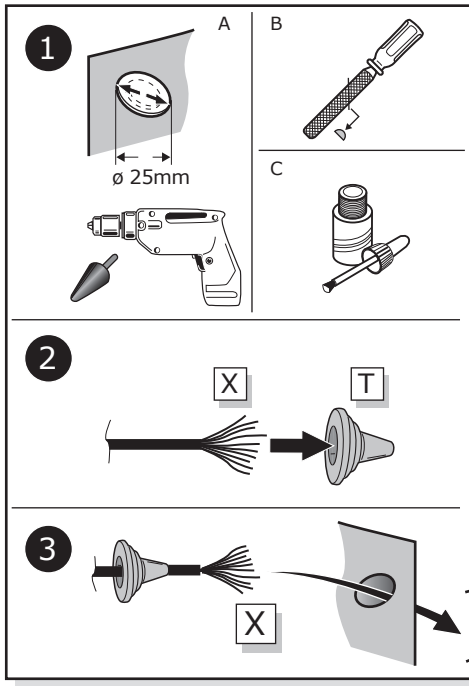


4



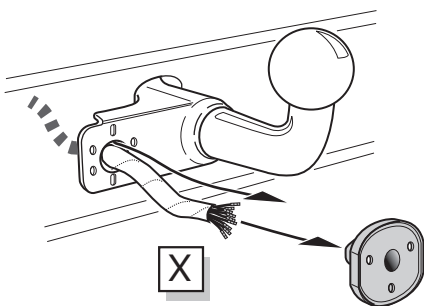
5



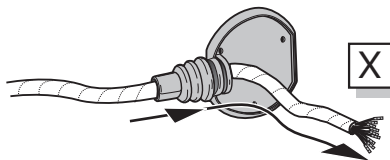


A

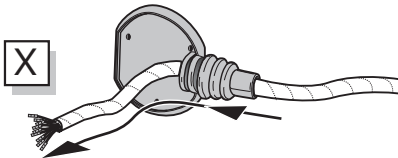
Option 1



Option 2



Option 3



INFO

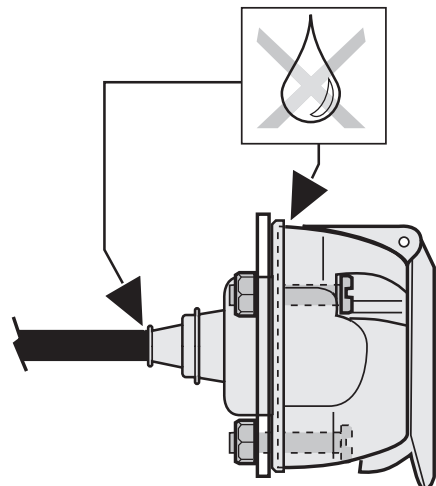
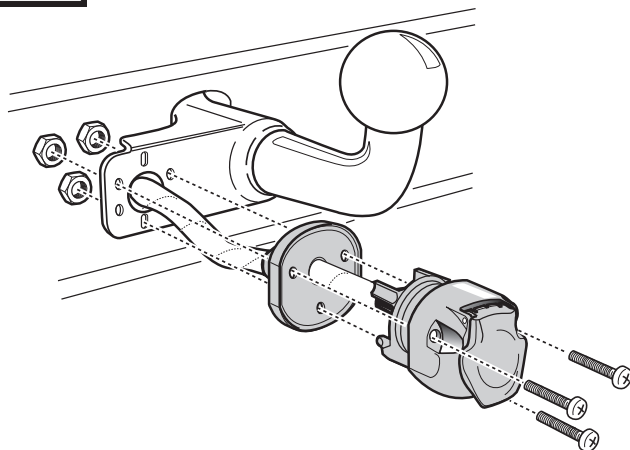
SOCKET CONNECTION

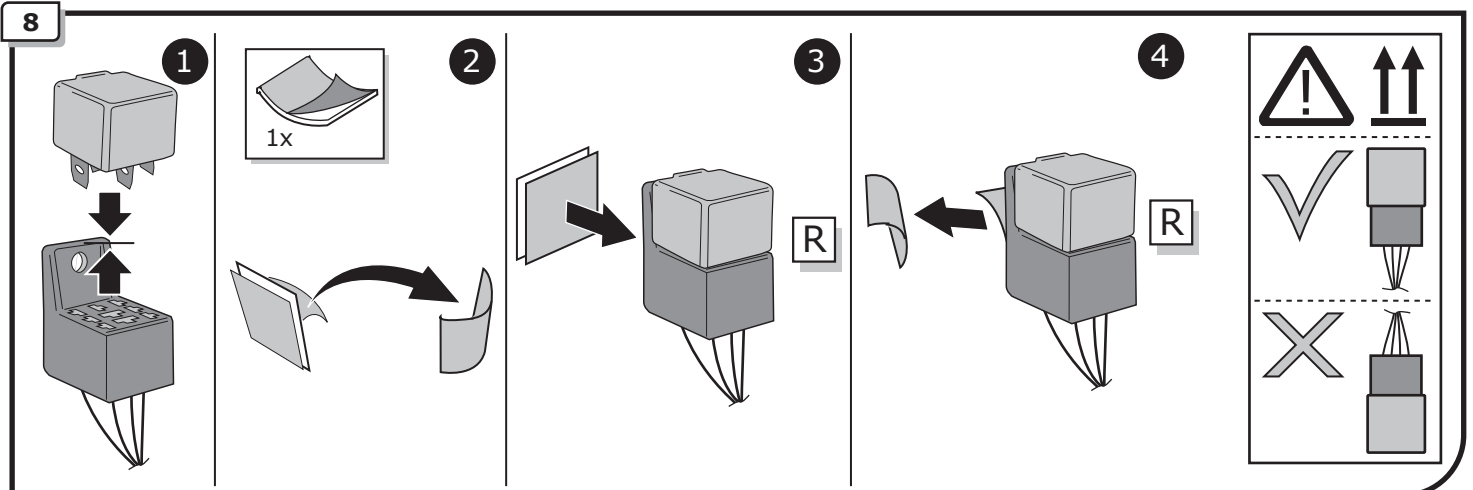
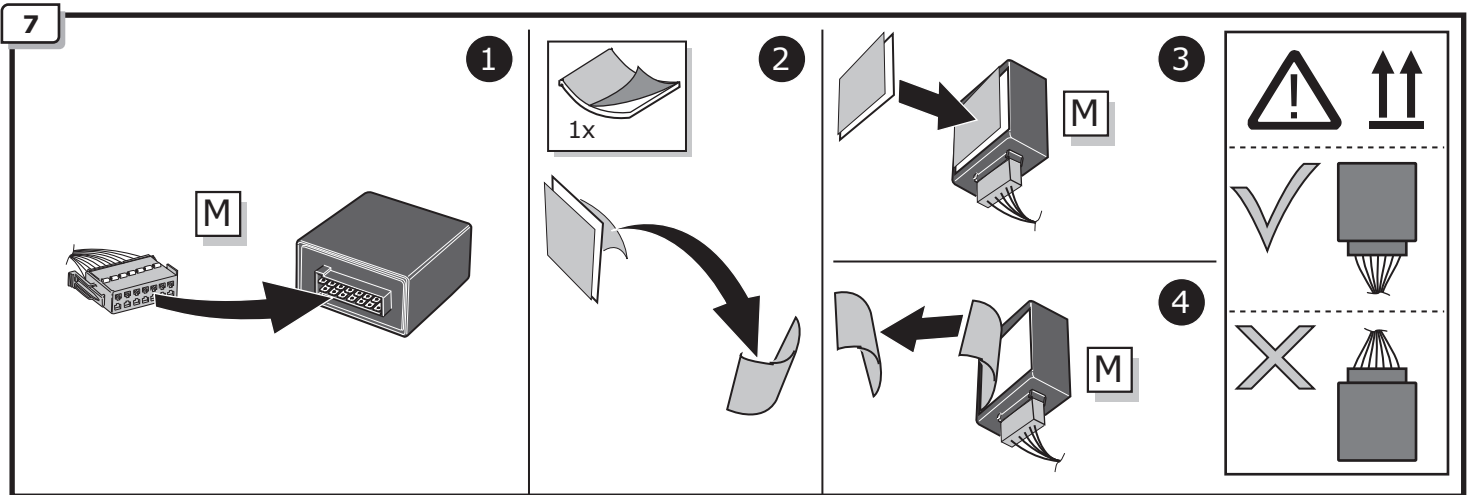
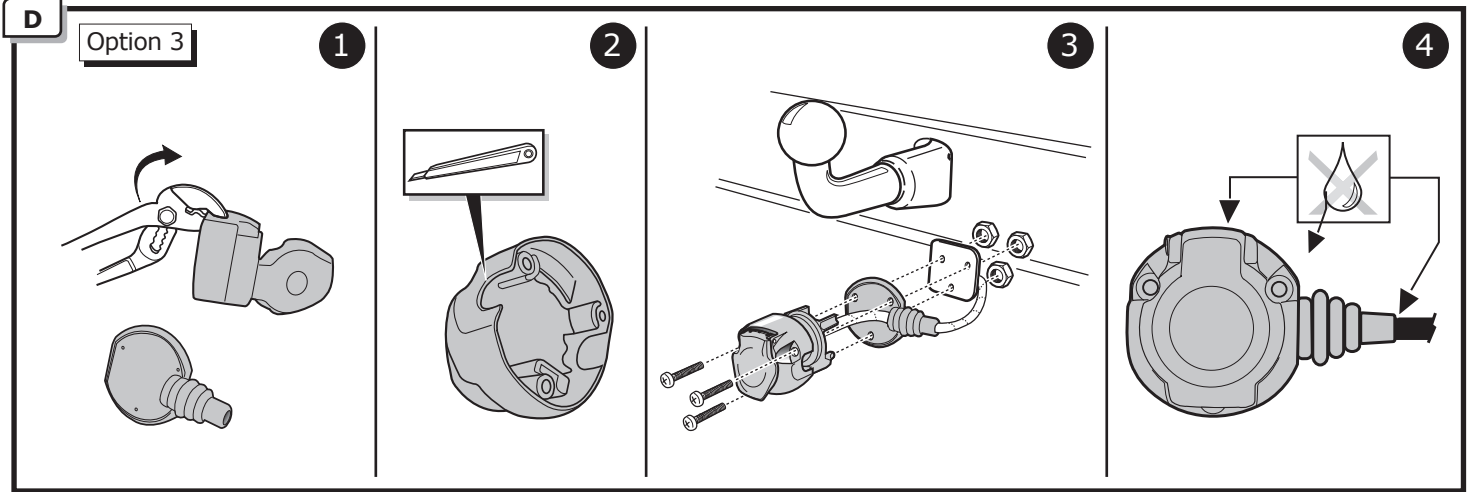
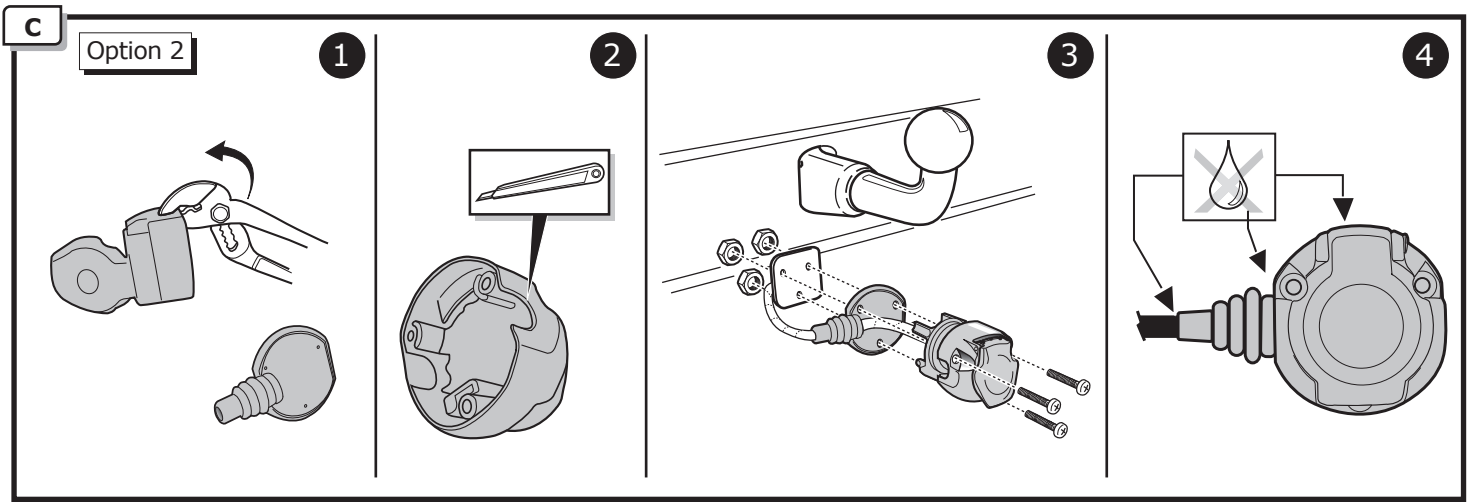


Pag. 12

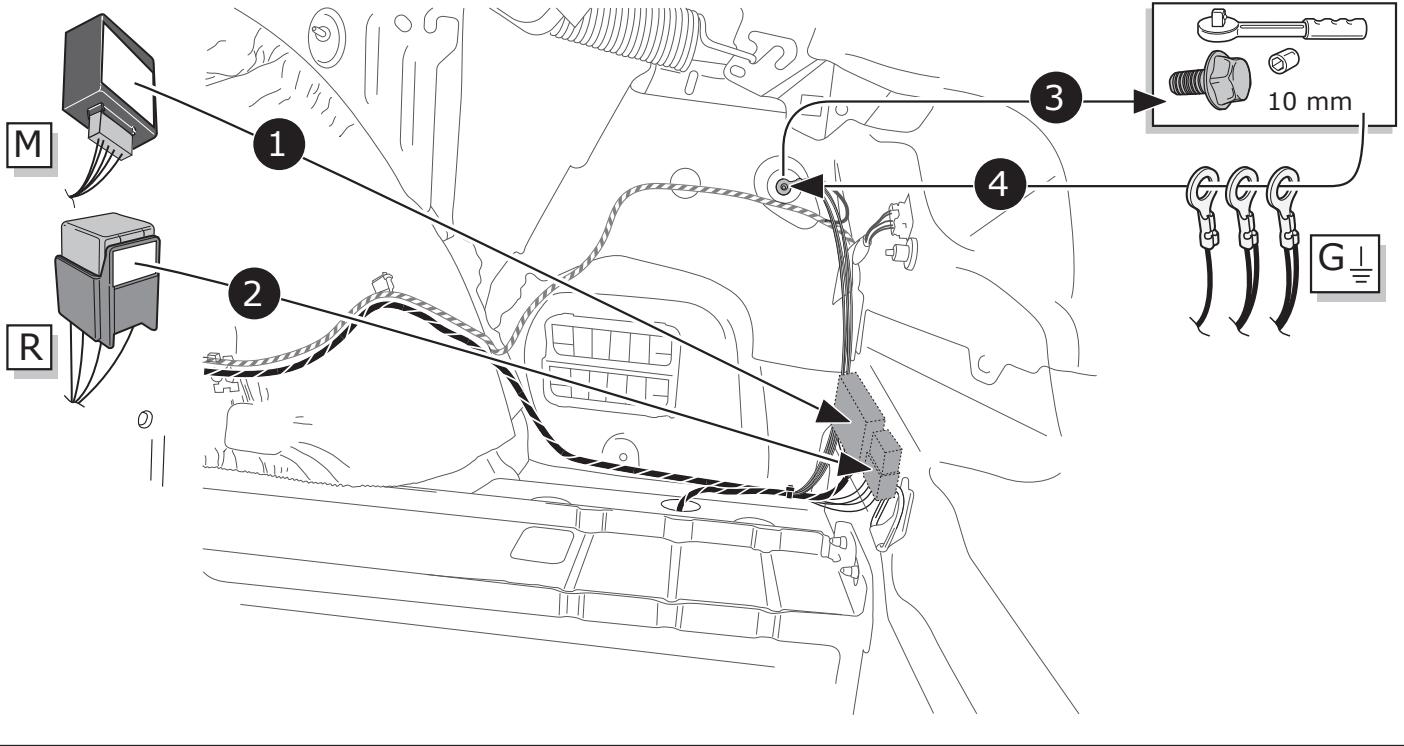
B

Option 1

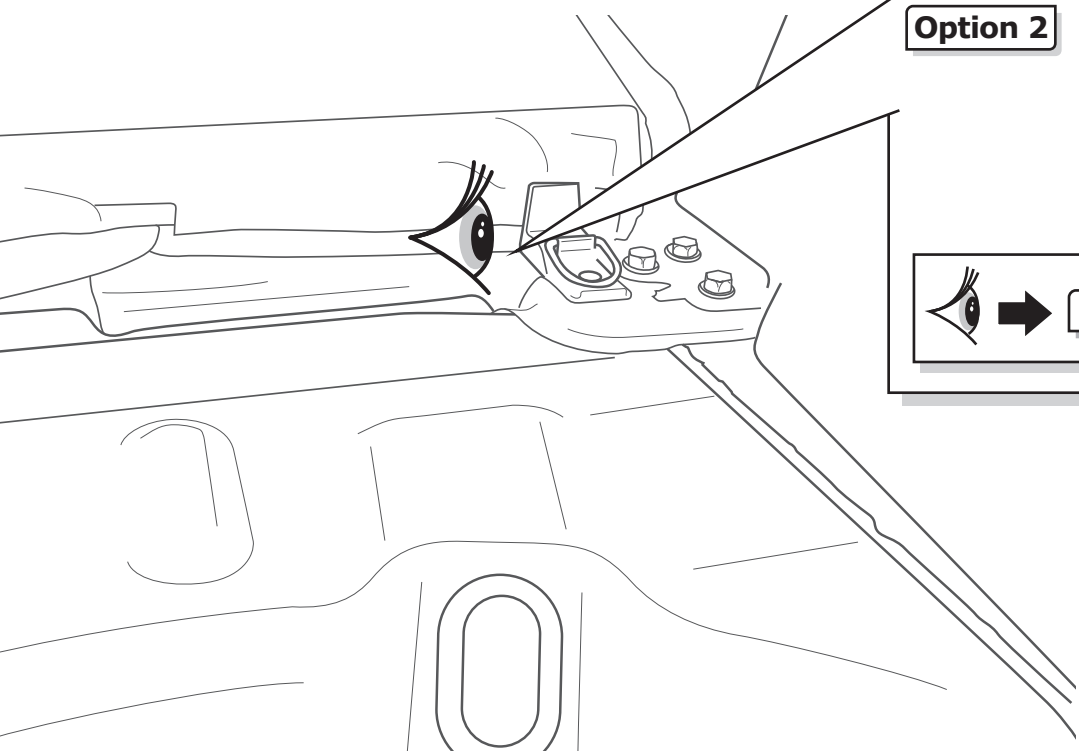
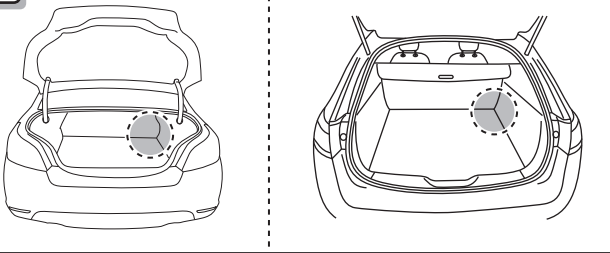




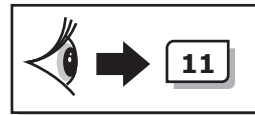
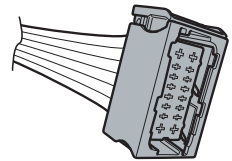
9



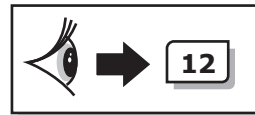
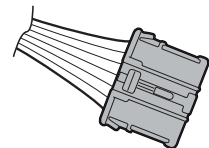
10



Option 1

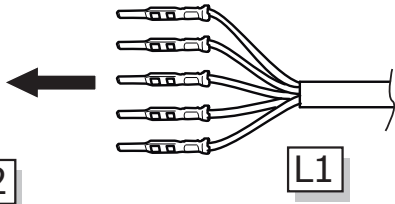
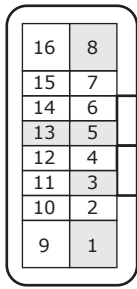


Option 2



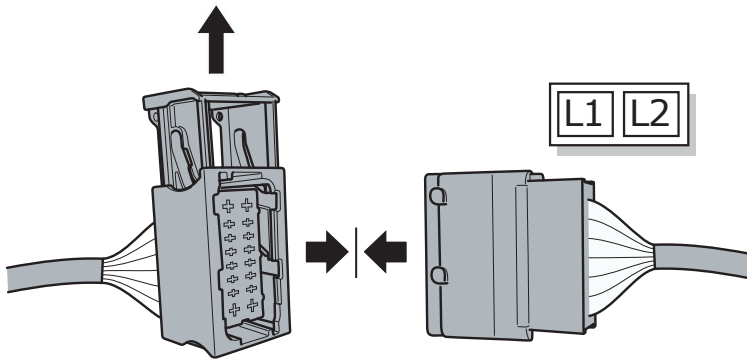
11

Option 1

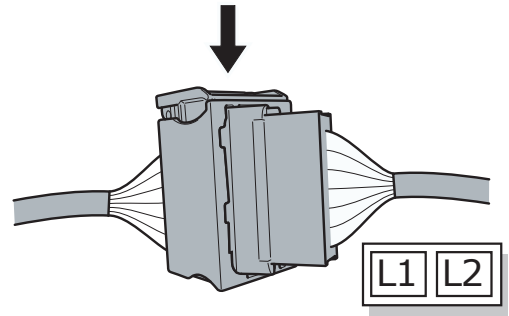


Pin 1	12 V	Orange + Orange
Pin 3	CAN H	Yellow/Black
Pin 5	CAN L	Green/Black
Pin 8	12 V	Brown/White + Red
Pin 13	54	Blue/Red

1



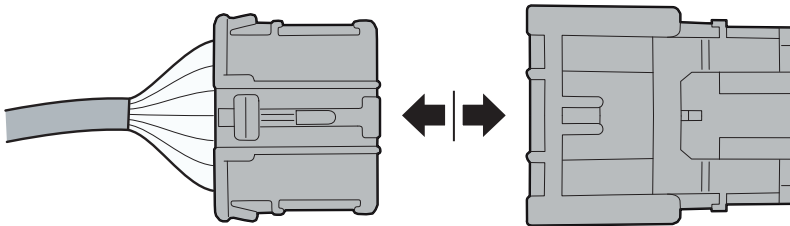
2



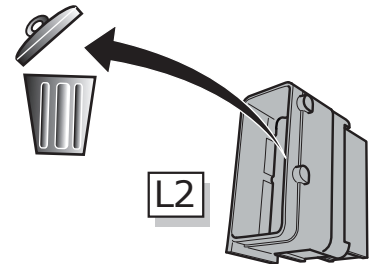
3

12

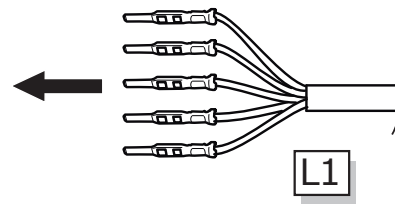
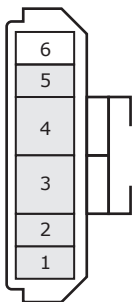
Option 2



1

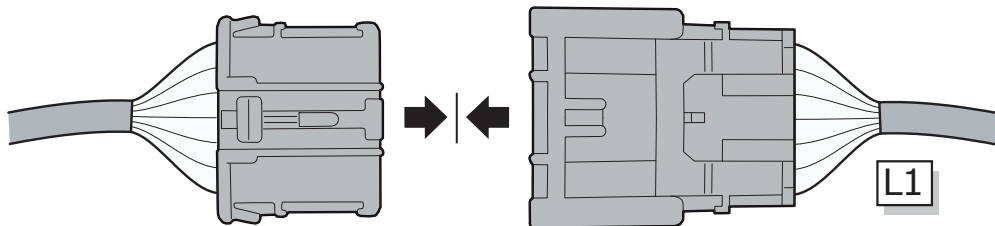


2

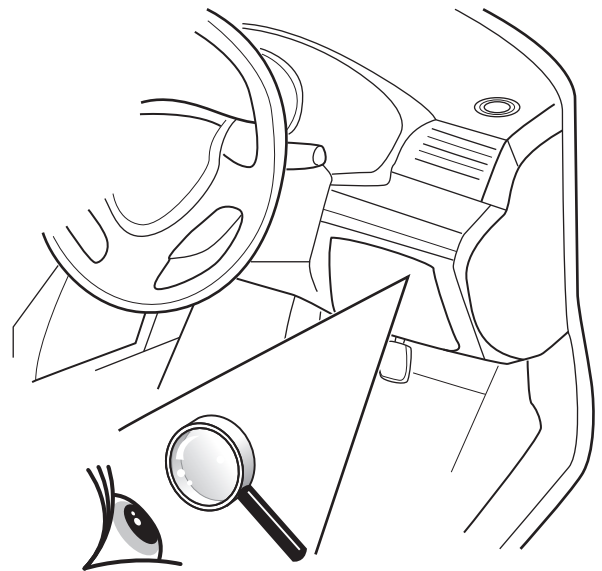
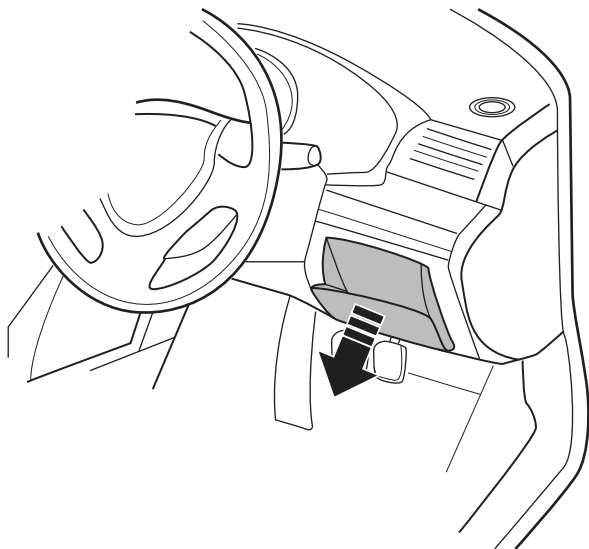


Pin 1	CAN H	Yellow/Black
Pin 2	54	Blue/Red
Pin 3	12 V	Brown/White + Red
Pin 4	12 V	Orange + Orange
Pin 5	CAN L	Green/Black

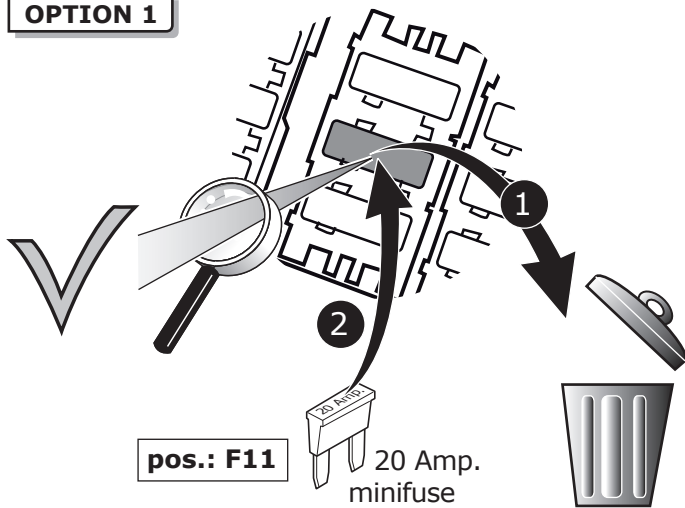
3



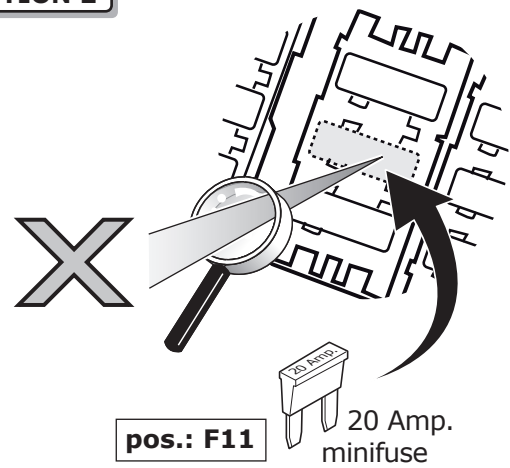
4



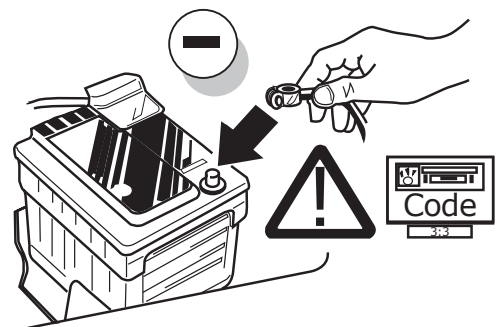
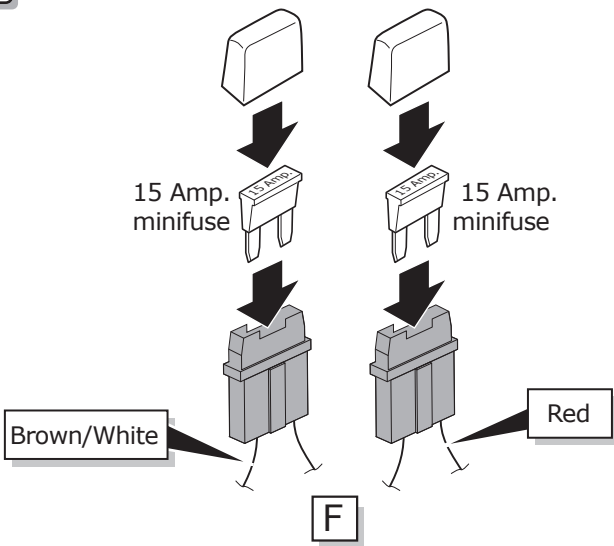
OPTION 1



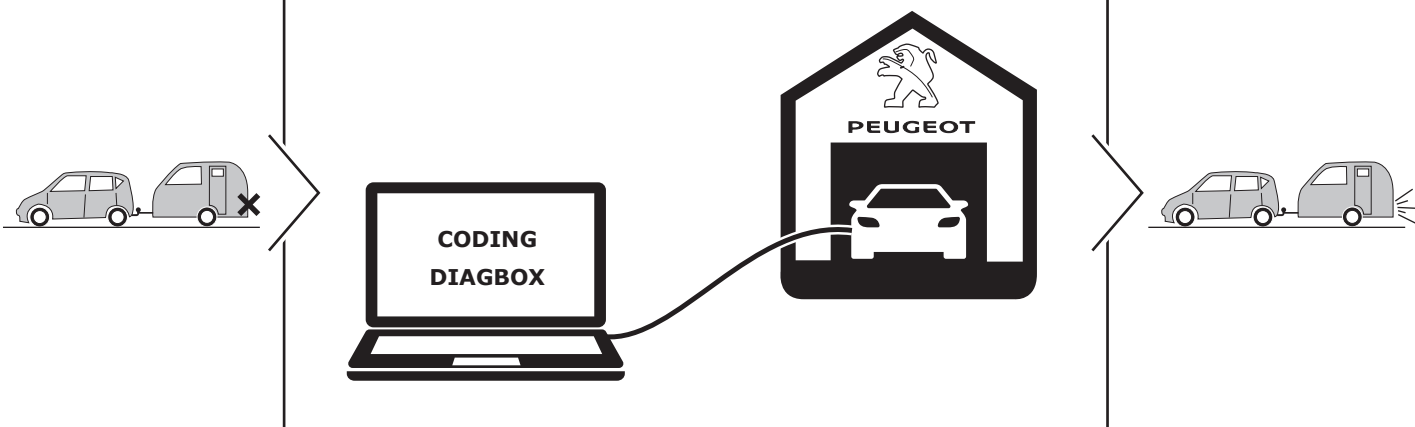
OPTION 2



INFO



INFO



Register for lighting functions

15

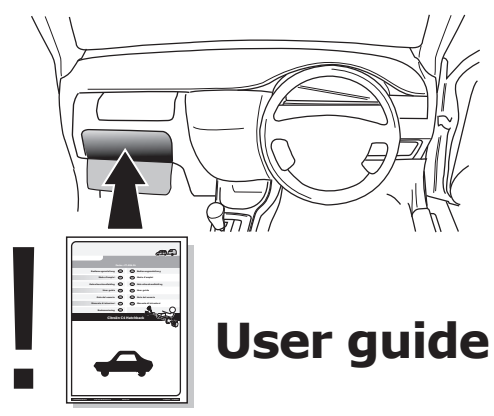


TEST ALL THE CIRCUITS WITH A TEST DEVICE WITH THE CORRECT POWER LOAD FOR EACH FUNCTION. A TEST DEVICE WITH LED'S CANNOT BE USED FOR THIS PURPOSE.

INFO

REINSTALL TRIM.



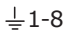







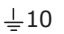
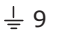
16



User guide

TECHNICAL SUPPORT
CALL 07440 202 052
MONDAY TO FRIDAY
08.00 - 11.00 am
12.00 - 05.00 pm
t.skinner@ecs-electronics.com
www.ecs-electronicsuk.co.uk
ECS ELECTRONICS

SOCKET CONNECTION

DIN/ISO 11446												—	
	1/L	2	3/31	4/R	5/58-R	6/54	7/58-L	8	9	10	11	12	13
Pmax	21W	21W		21W	42W	3x21W	42W	21W	180W/15Amp	180W/15Amp			
Colour	Yellow	Blue	White	Green	Brown	Red 1,00 mm ²	Black	Black/ Red	Brown/ White	Red 2,50 mm ²	White	-	White