

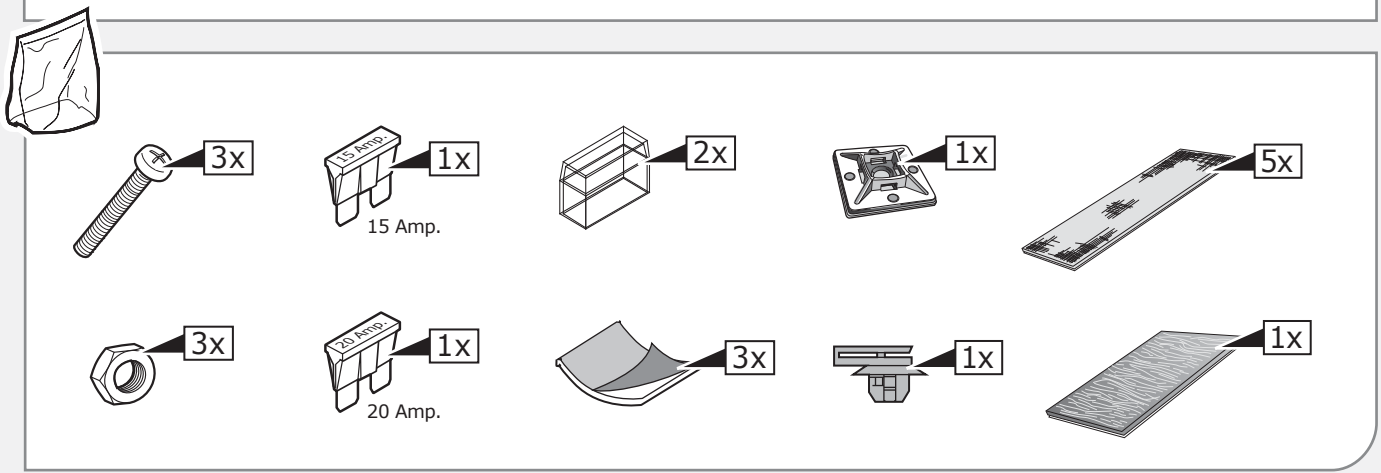
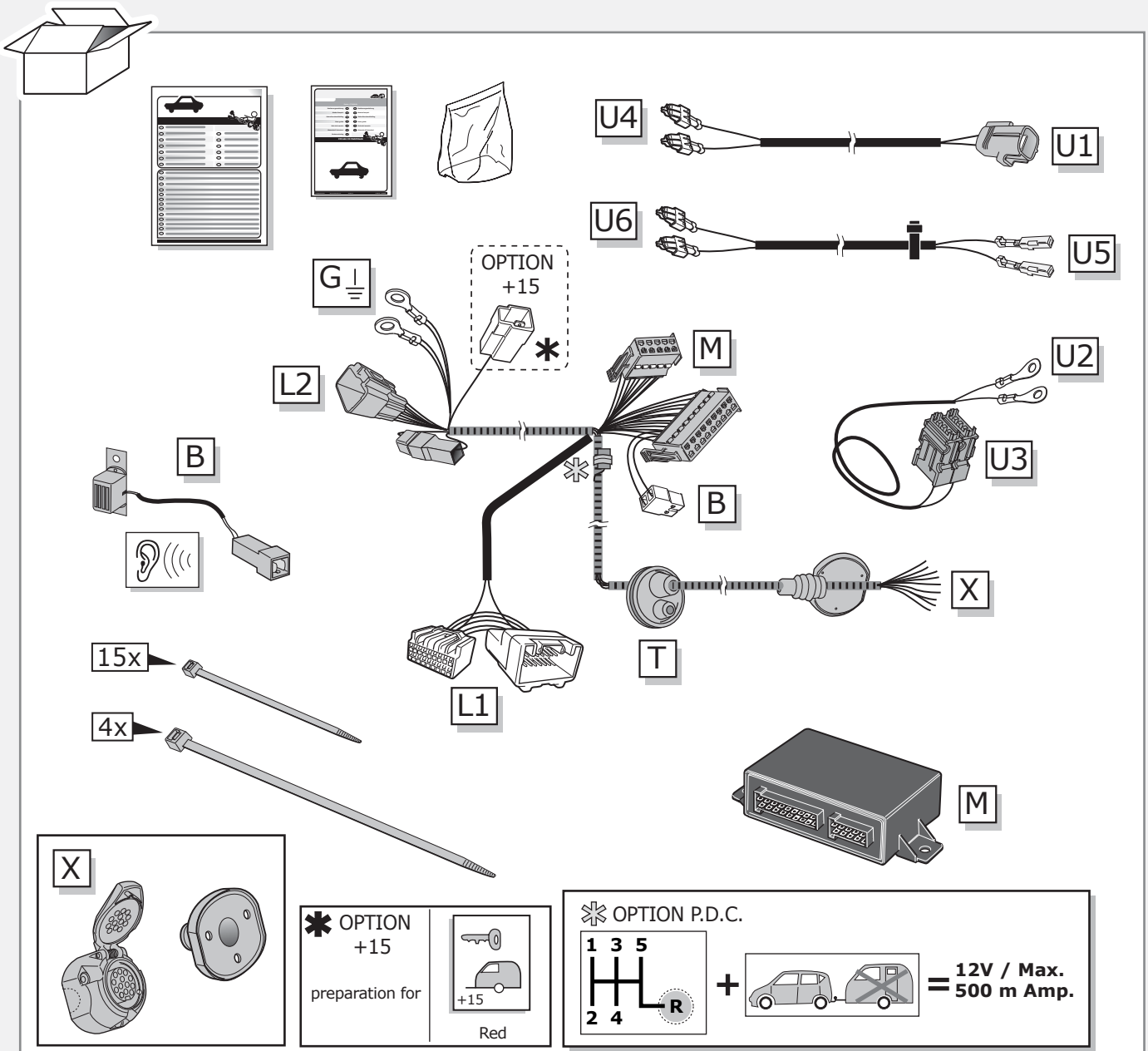
**Mitsubishi Outlander 2013- & 2016-
Mitsubishi Outlander PHEV 09/2013- & 2016-**

Partnr.: MT-115-DHU

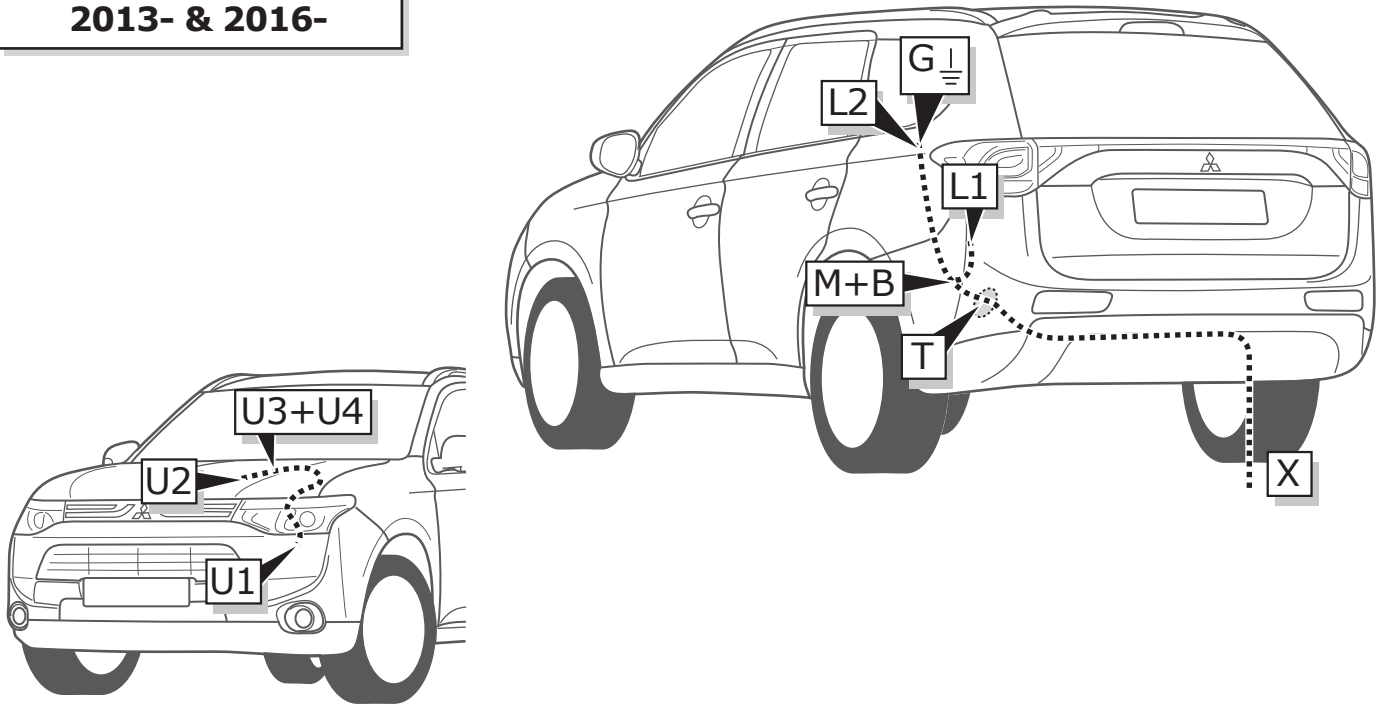
- Fitting instructions electric wiring kit tow bar with 13-P socket up to DIN/ISO Norm 11446.
- We would expressly point out that assembly not carried out properly by a competent installer will result in cancellation of any right to damage compensation, in particular those arising by virtue of the product liability act.
- Contents of these kits and their fitting manuals are subject to alteration without notice, please ensure that these instructions are read and fully understood before commencing installation.
- Do not overload circuits; the maximum loads per connection are detailed in this manual.
- Attention! Before Installation, please read this manual carefully and inform your customer to consult the vehicle owners manual to check for any vehicle modifications required before towing.
- In the event of functional problems, troubleshooting must be limited to about 0.5 hours, contact the technical support:
ukts@ecs-electronics.com / 07440 202 052.



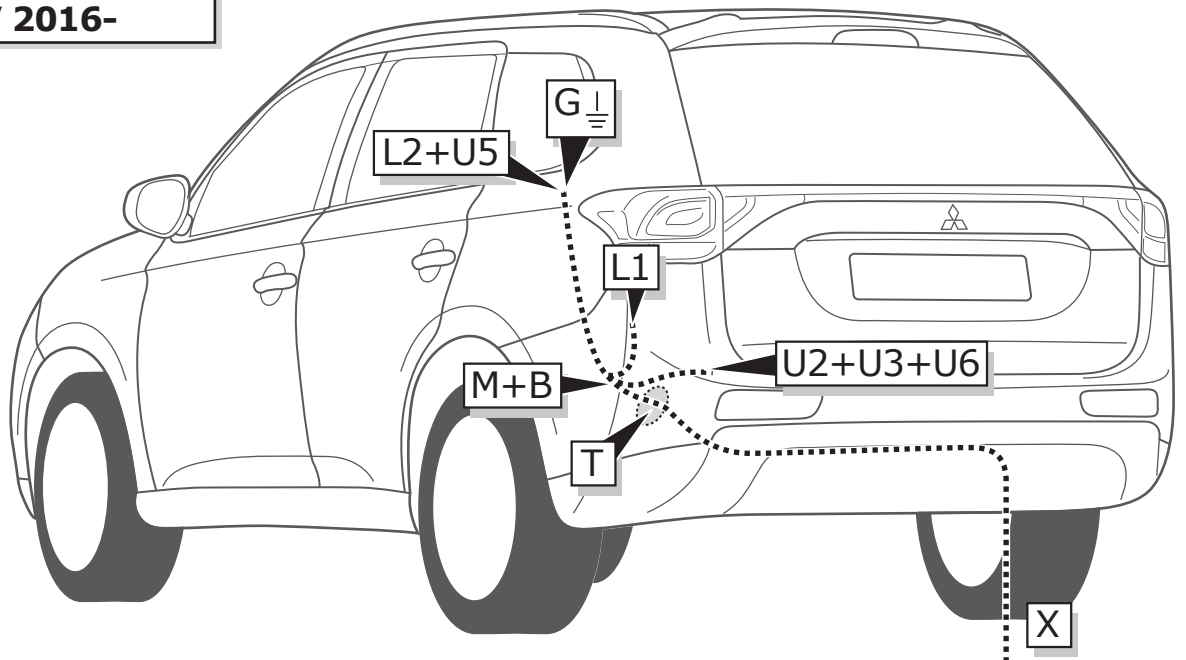
Part list



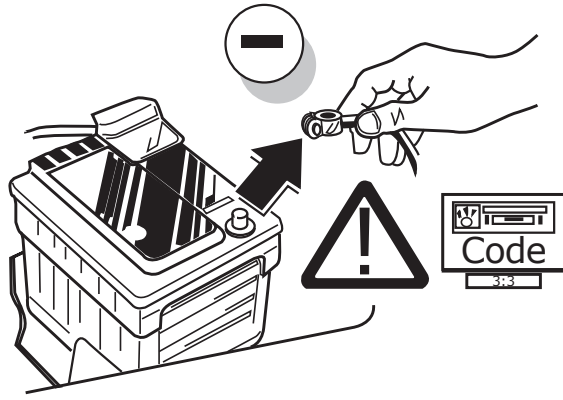
**Mitsubishi Outlander
2013- & 2016-**



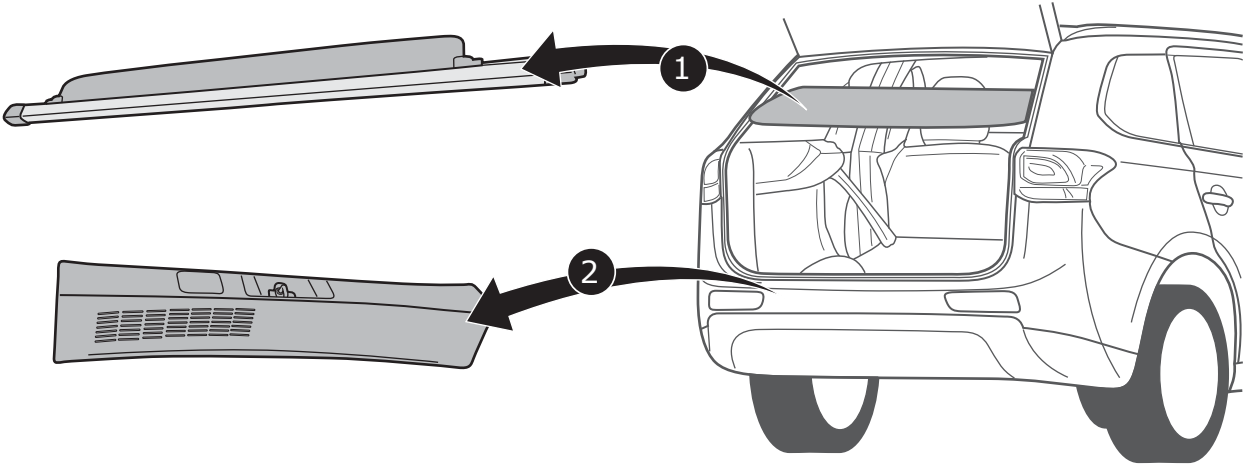
**Mitsubishi Outlander
PHEV 09/2013-
&
PHEV 2016-**



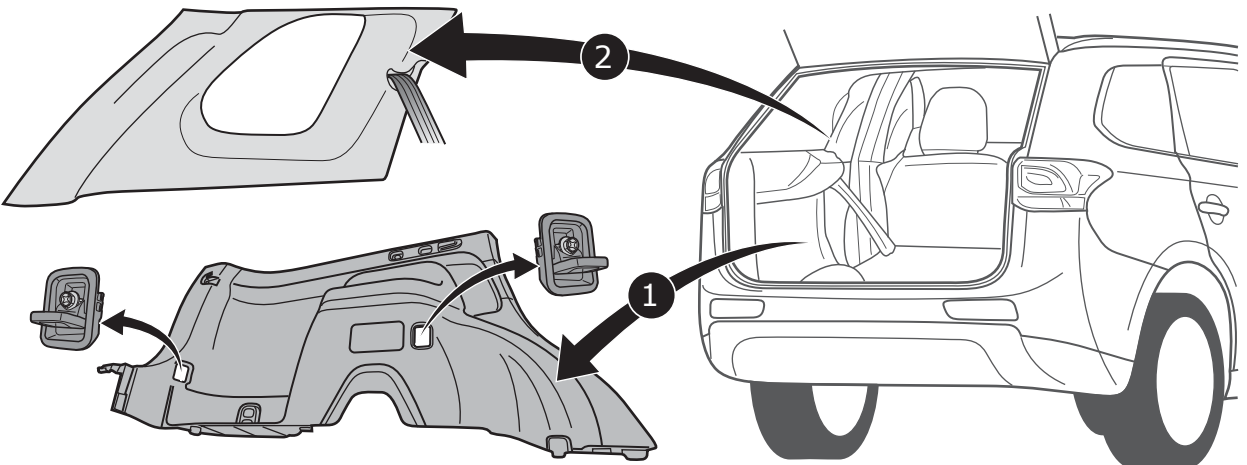
1



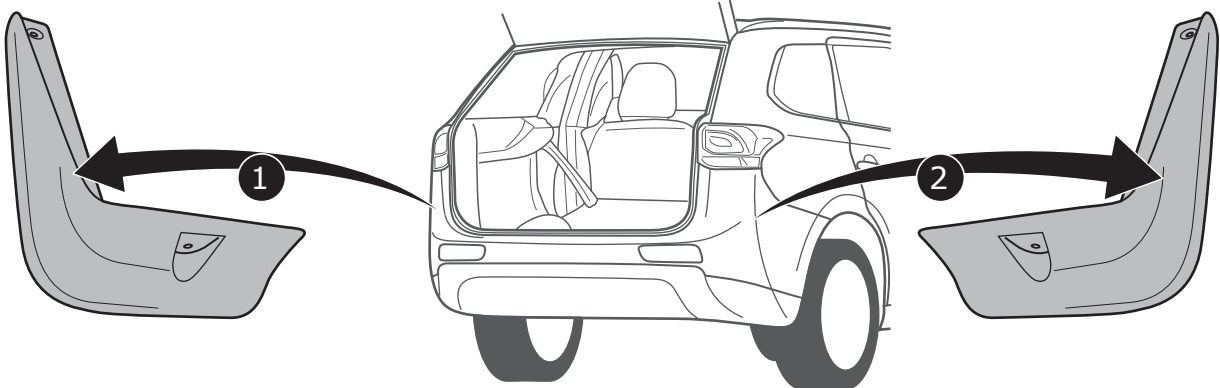
2



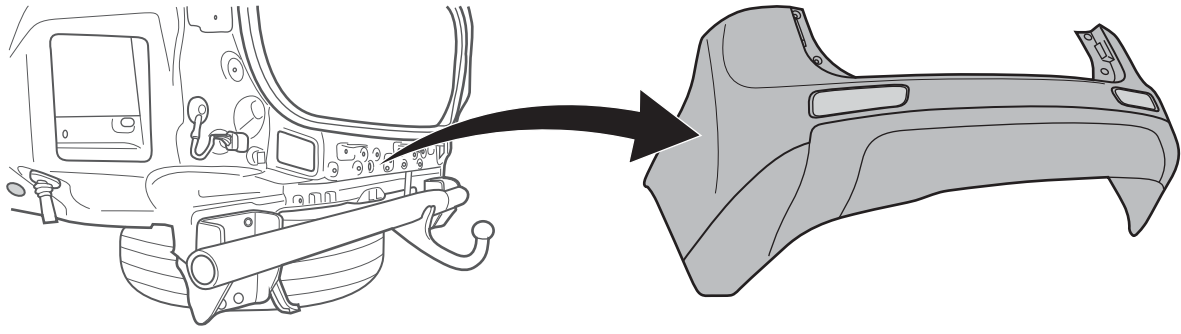
3



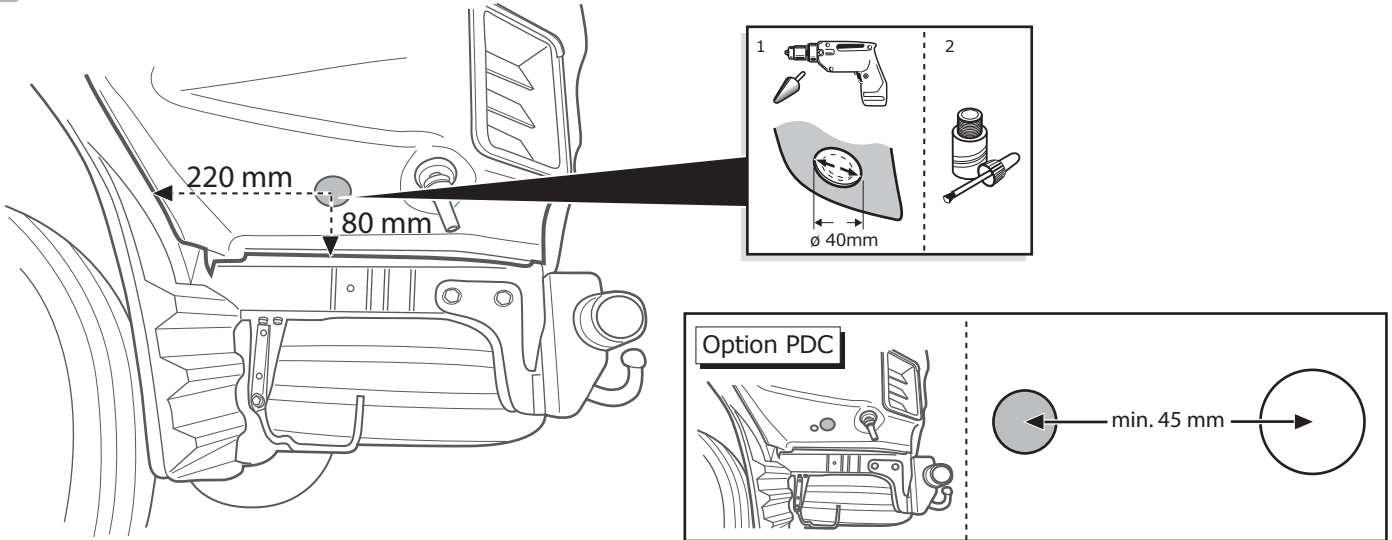
4



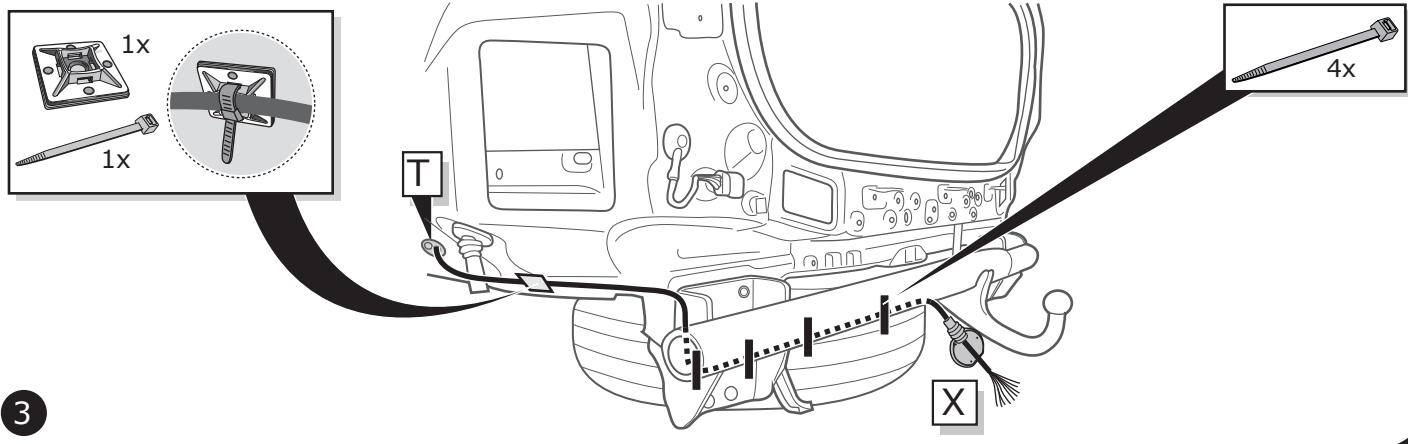
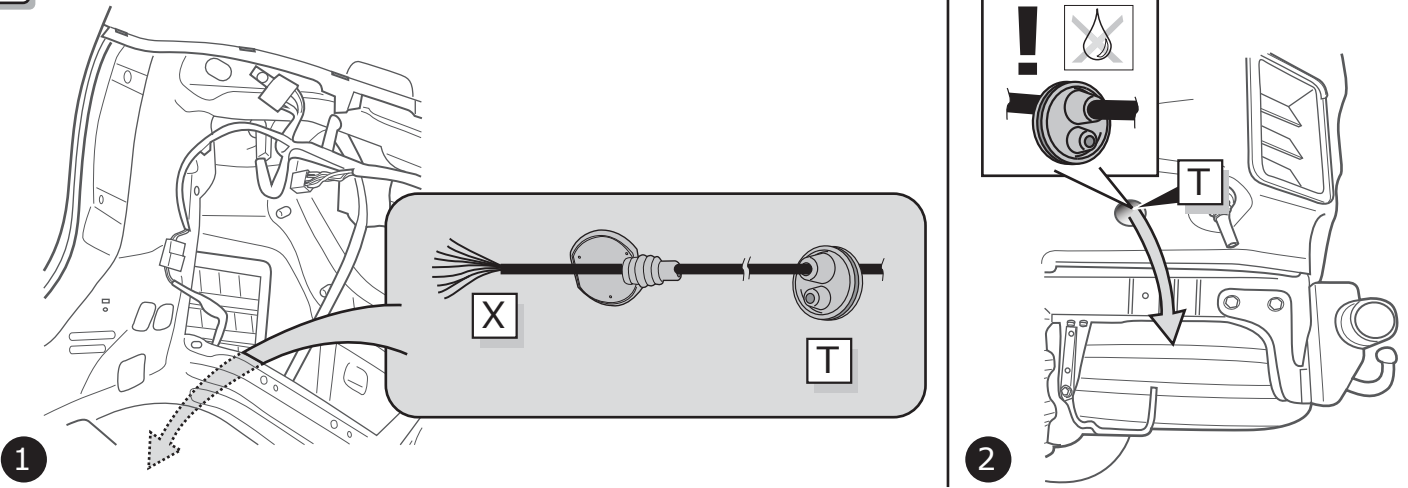
5



6



7



3

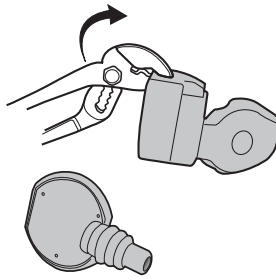
SOCKET CONNECTION



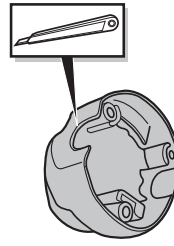
8

Option 1

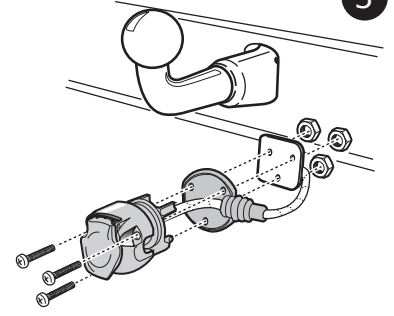
1



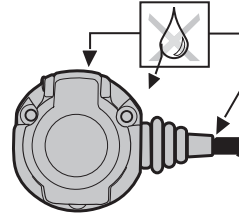
2



3



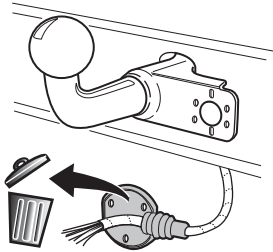
4



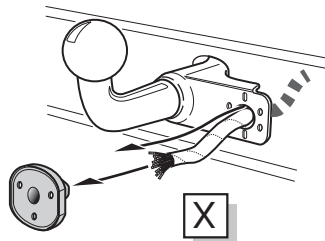
8A

Option 2

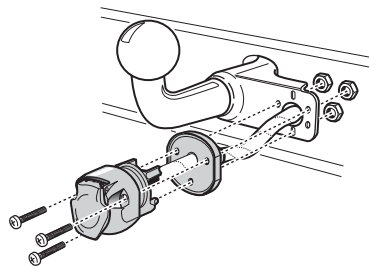
1



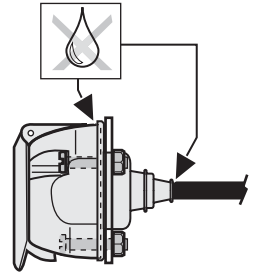
2



3

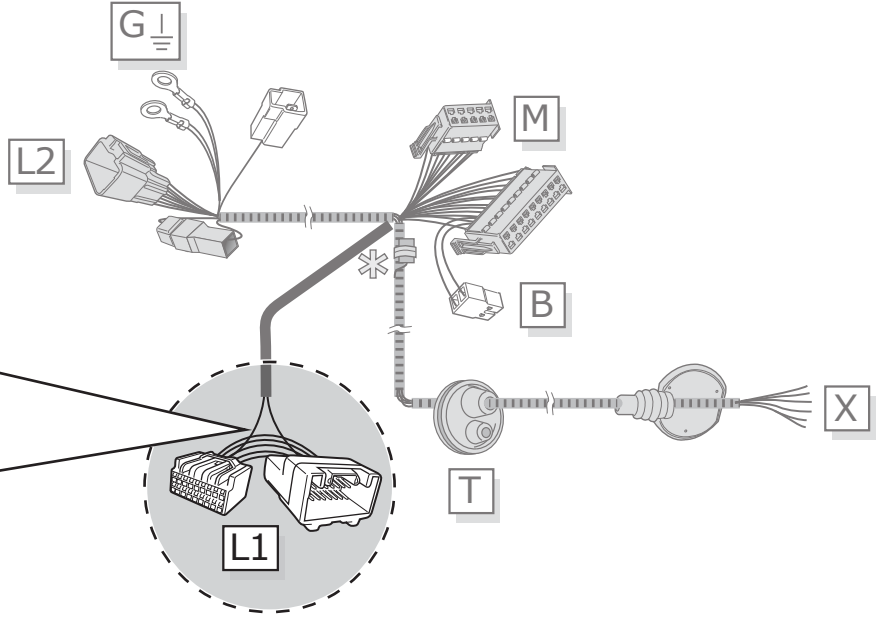
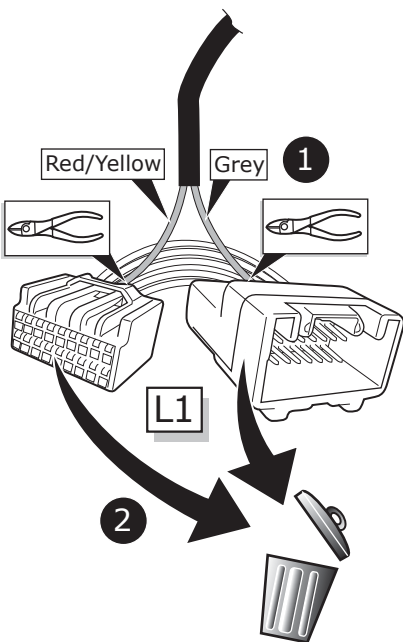


4



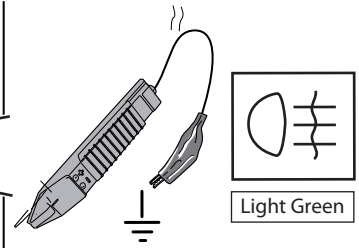
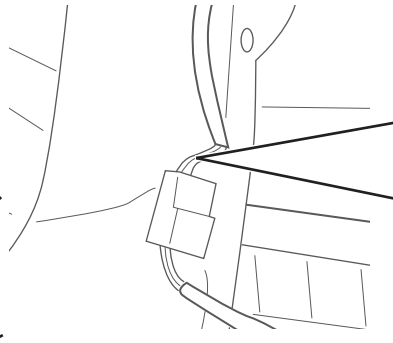
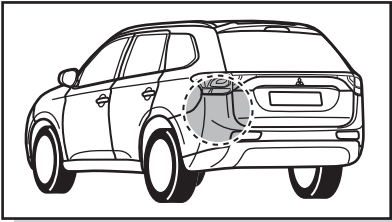
ONLY for PHEV models 2016-

9

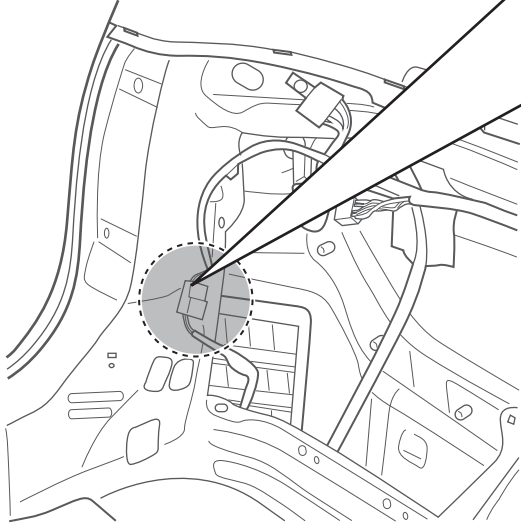


ONLY for PHEV models 2016-

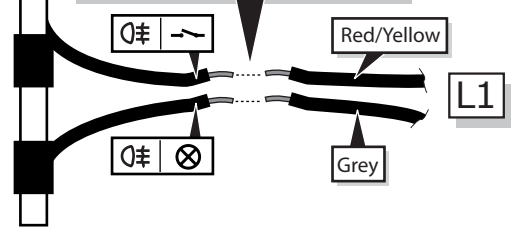
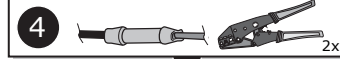
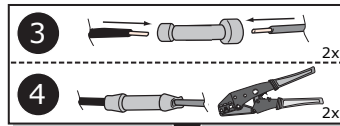
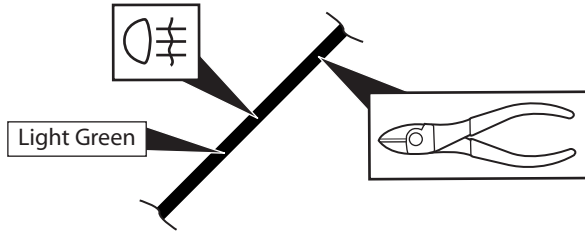
10



1



2

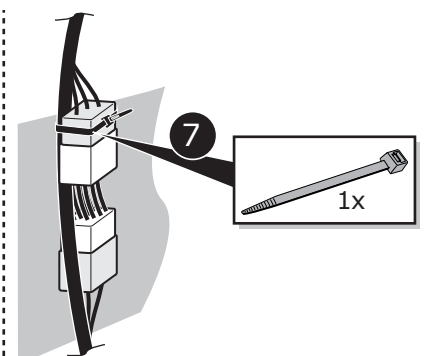
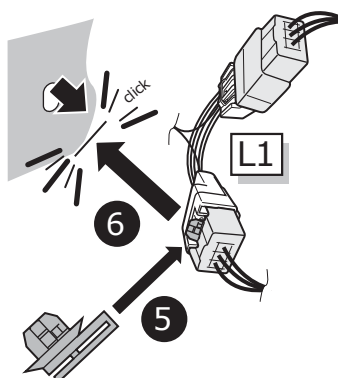
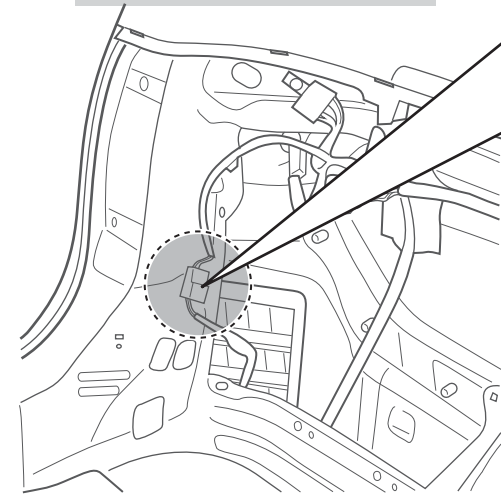
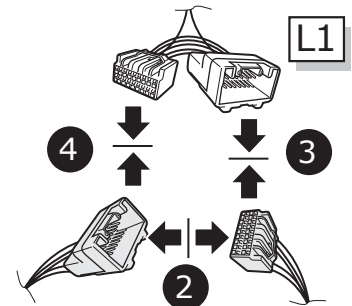
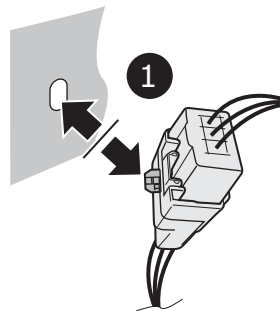
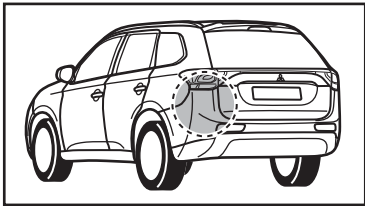


4

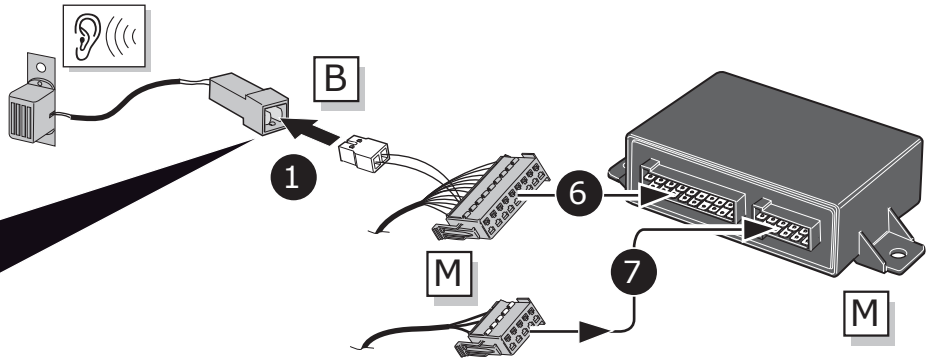
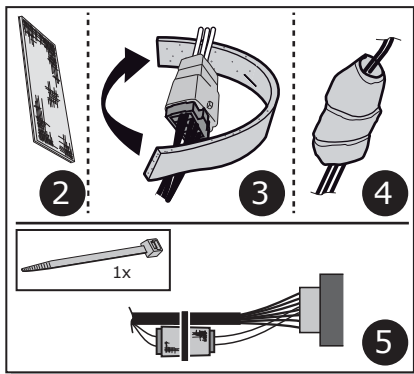


Other models

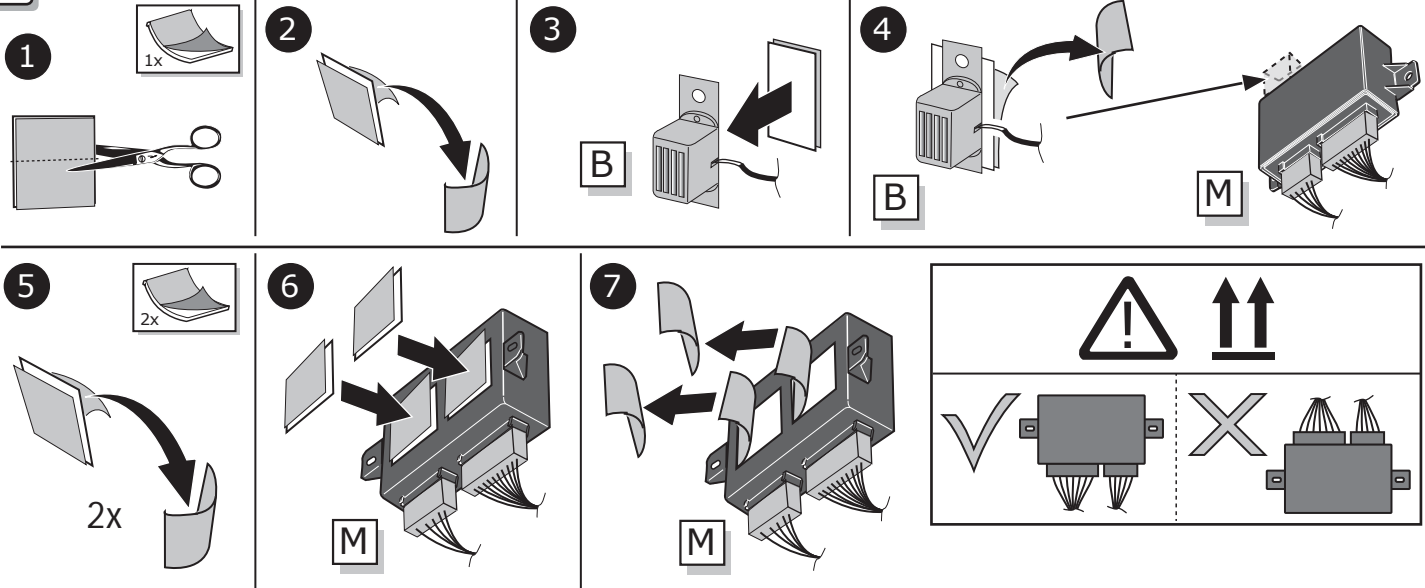
11



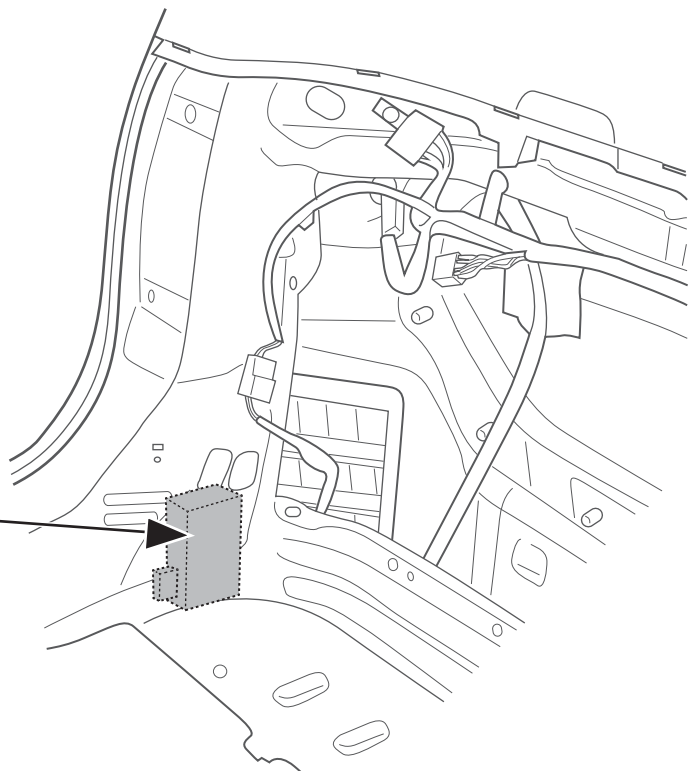
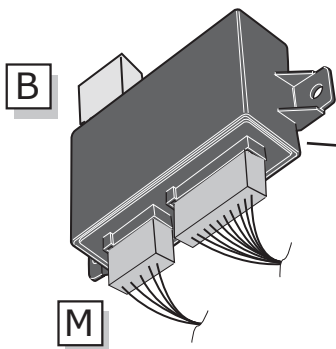
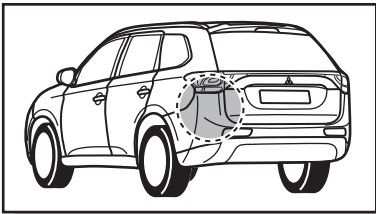
12



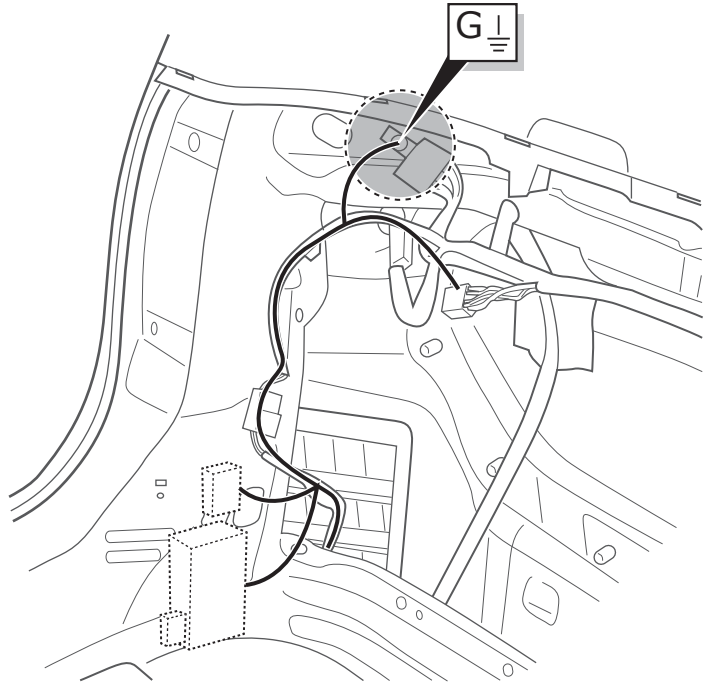
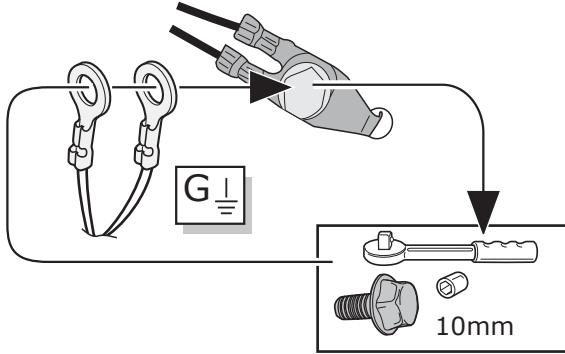
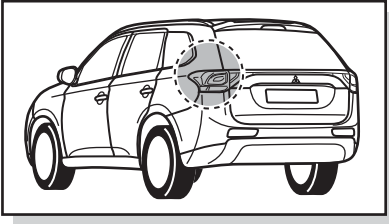
13



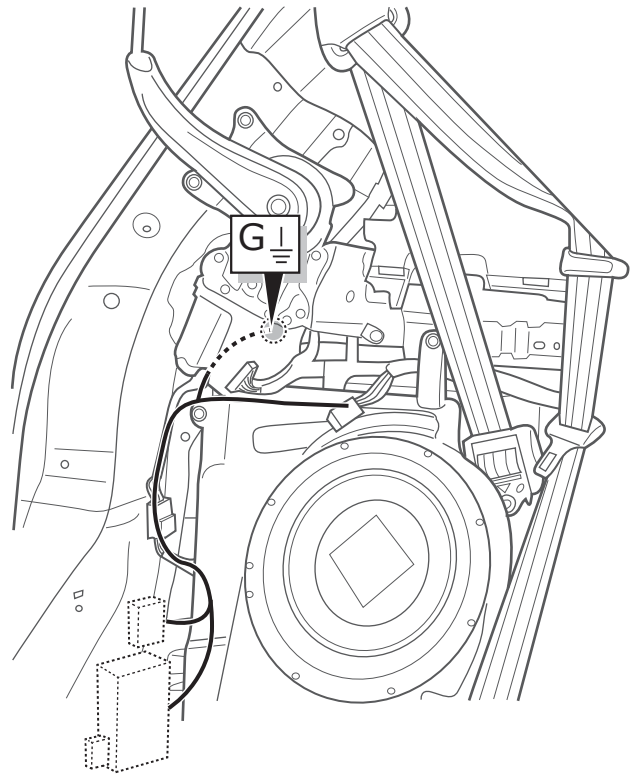
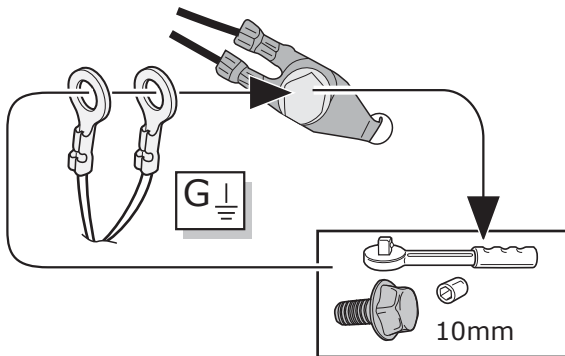
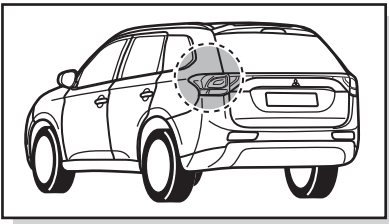
14



OPTION 1: without electrical tail gate opener



OPTION 2: with electrical tail gate opener



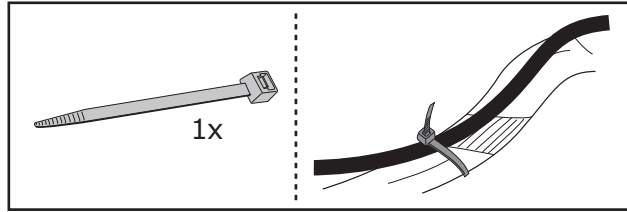
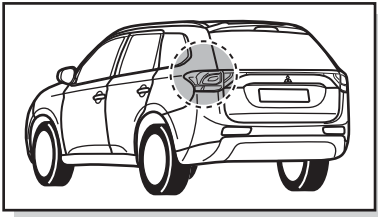
**Option 1:
Mitsubishi Outlander 2013- & 2016-**



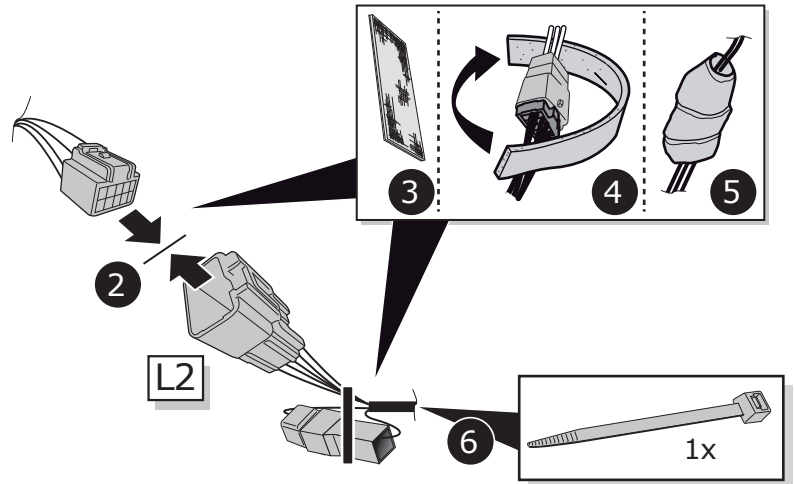
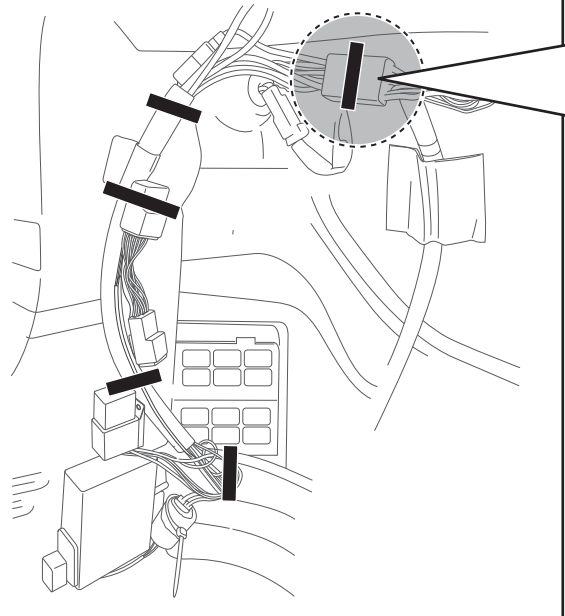
**Option 2:
Mitsubishi Outlander
PHEV 09/2013-
&
PHEV 2016-**



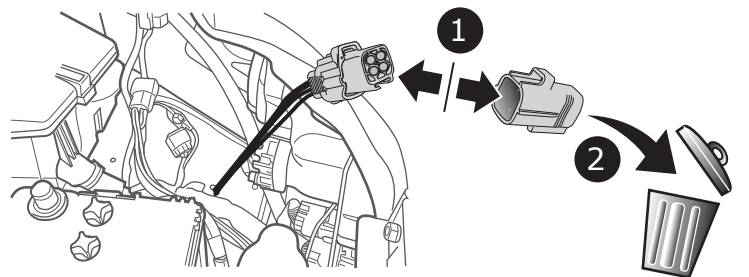
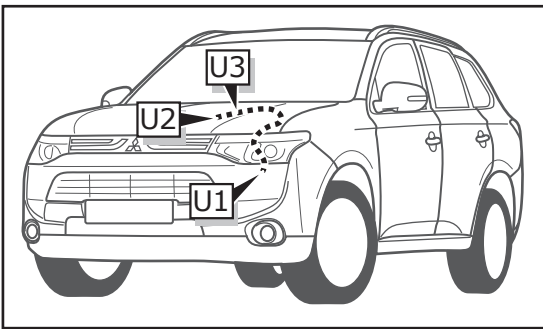
17



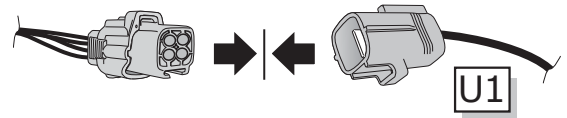
1



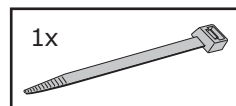
18



3



4

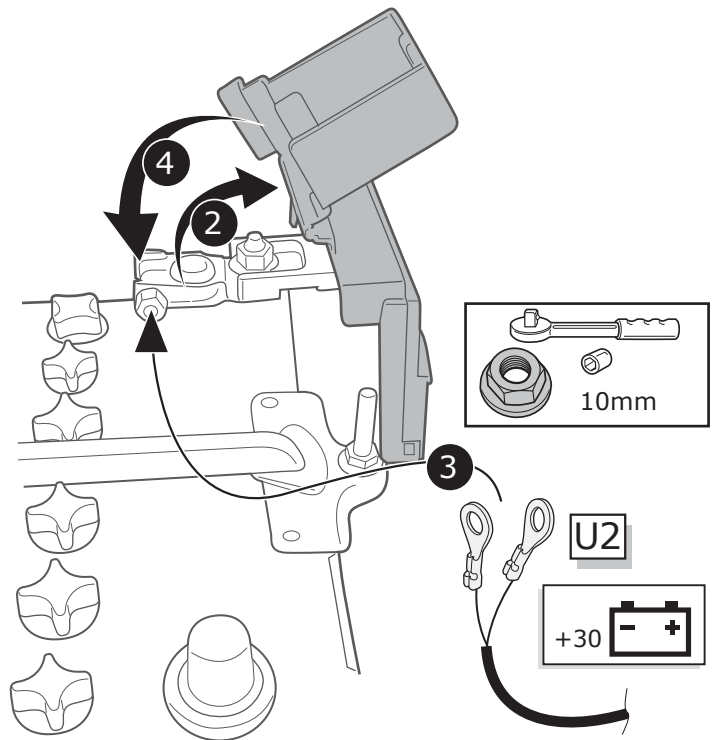
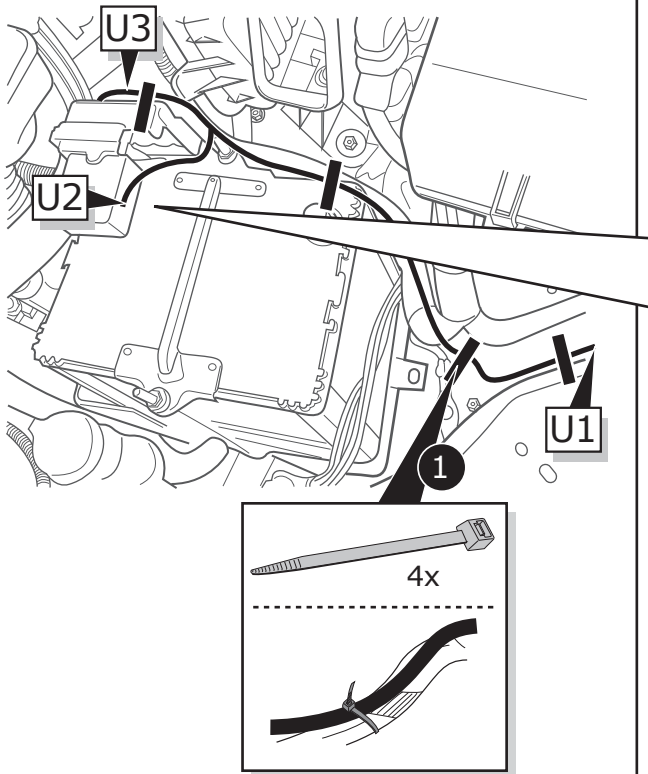


U1

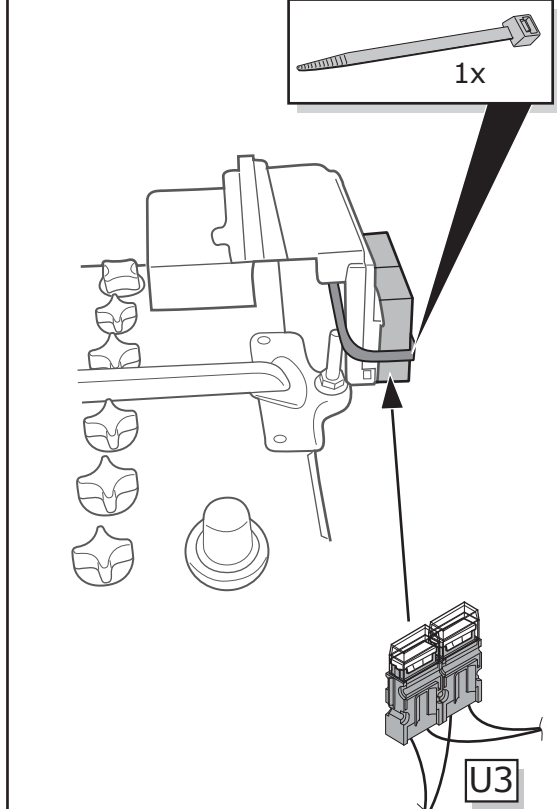
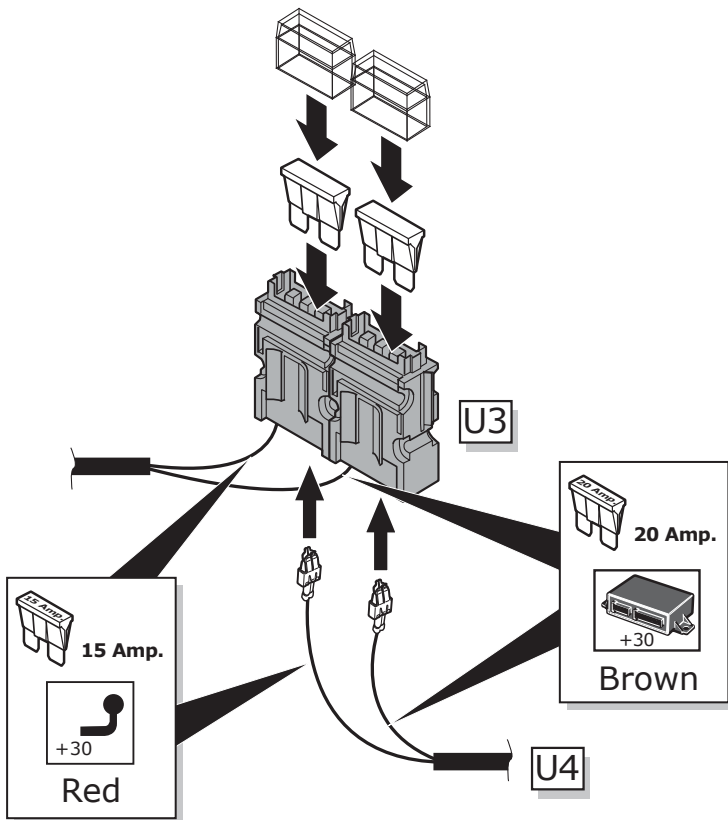


4

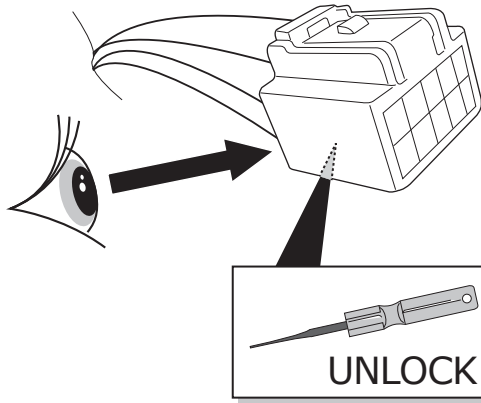
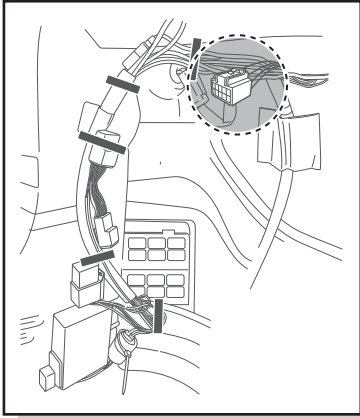
19



20

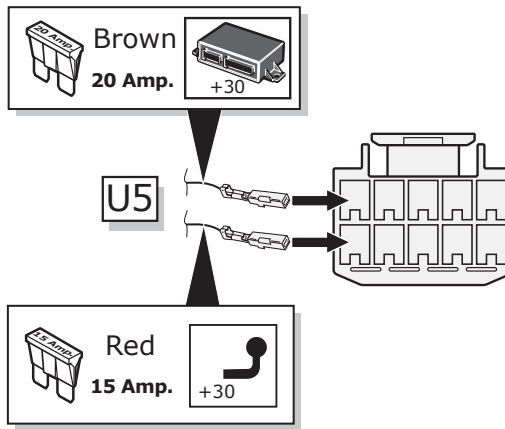
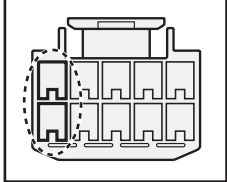


21

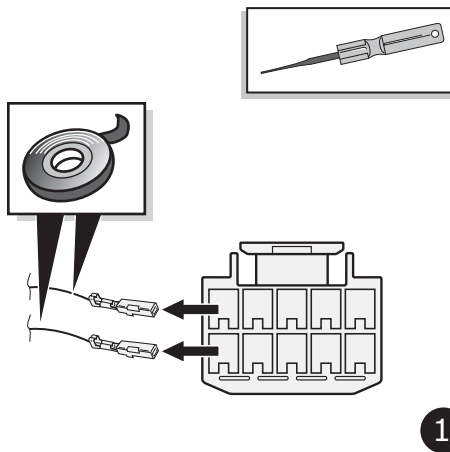
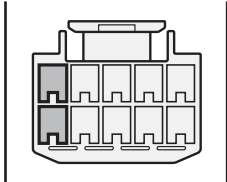


22

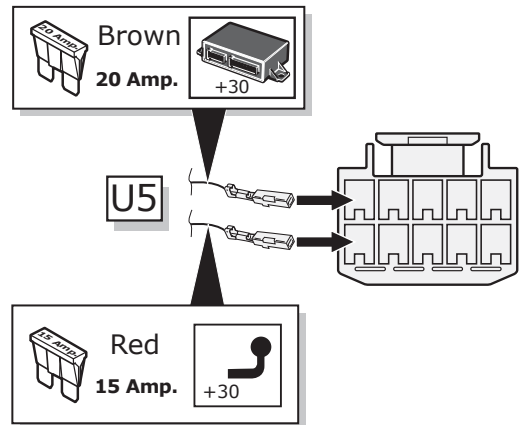
Option 1:
positions free



Option 2:
positions taken

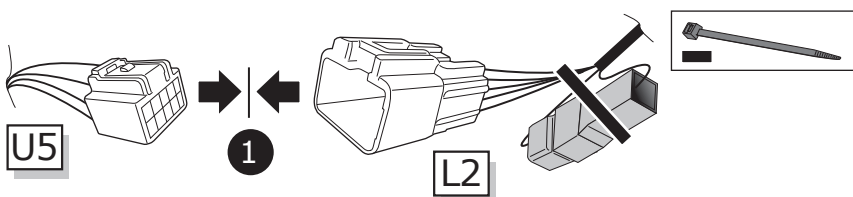


1

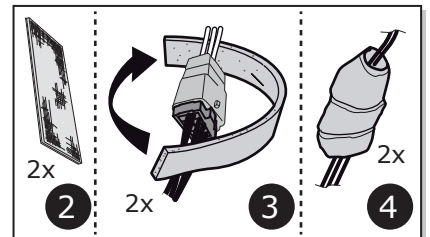


2

23



1



2

2x

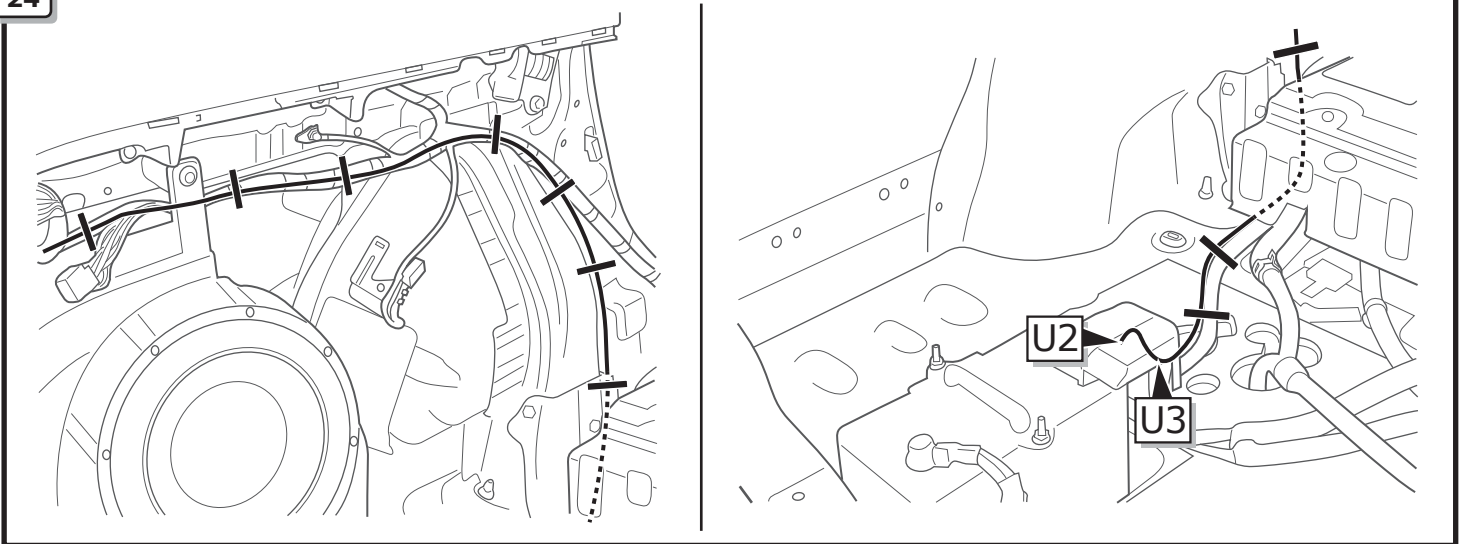
3

4

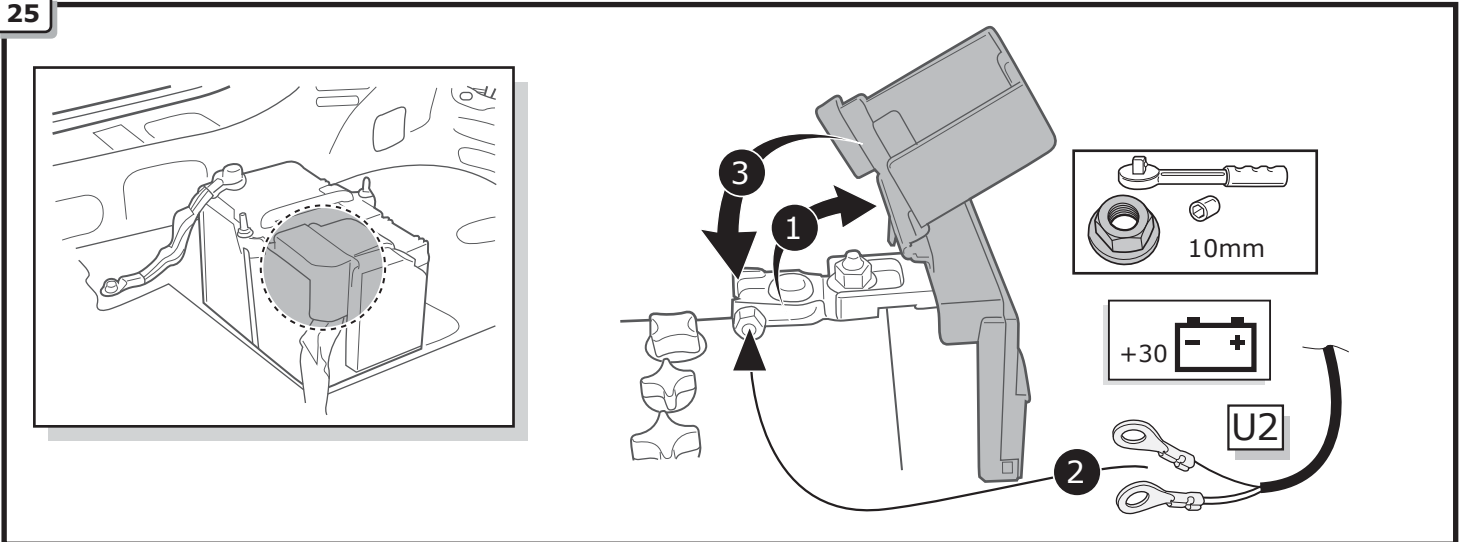
2x

Option 2: Outlander PHEV 09/2013- & 2016-

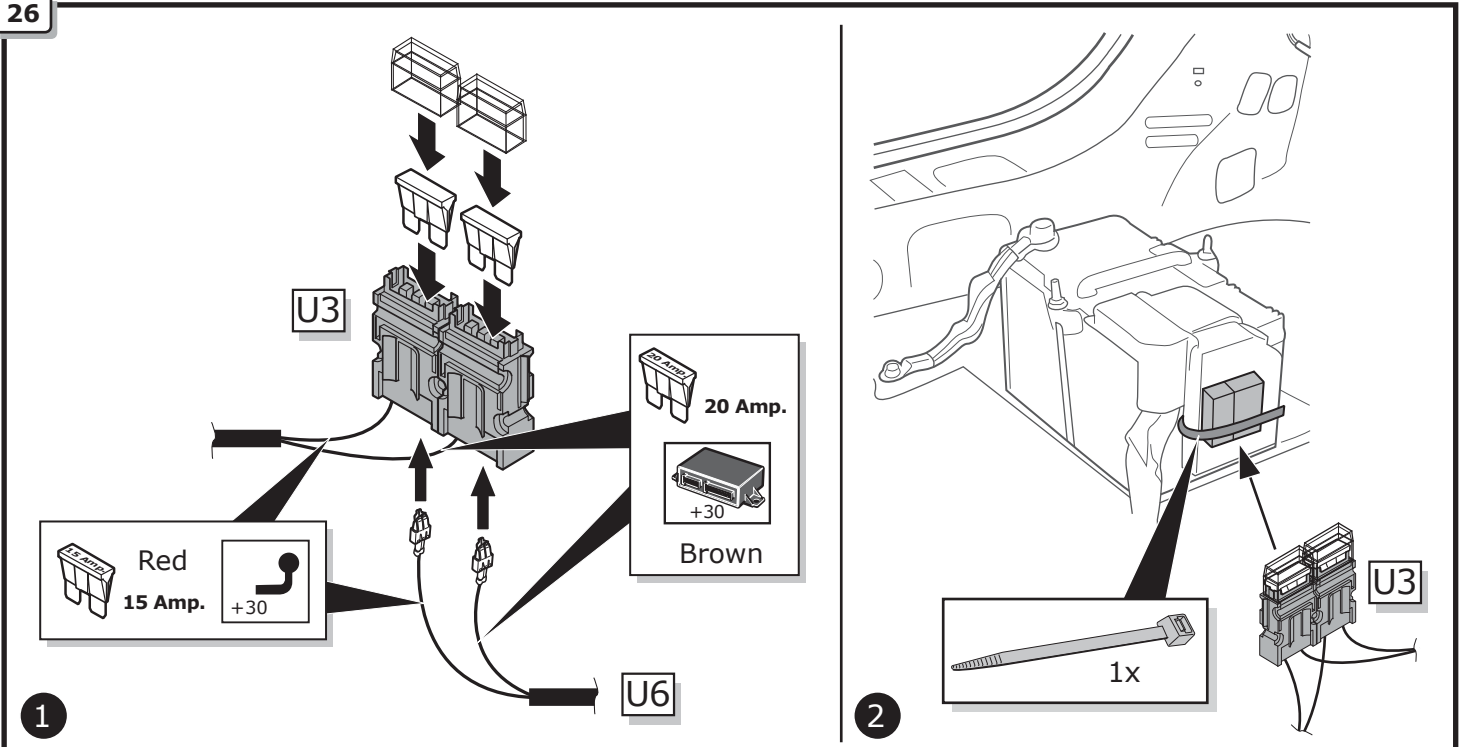
24



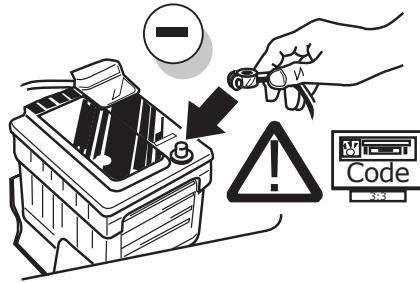
25



26



27



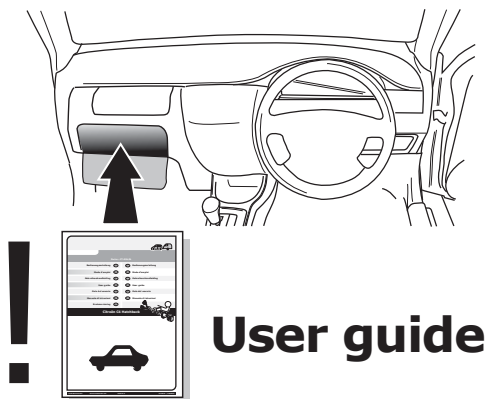
28

TEST ALL THE CIRCUITS WITH A TEST DEVICE WITH THE CORRECT POWER LOAD FOR EACH FUNCTION. A TEST DEVICE WITH LED'S CANNOT BE USED FOR THIS PURPOSE.

INFO

REINSTALL TRIM.

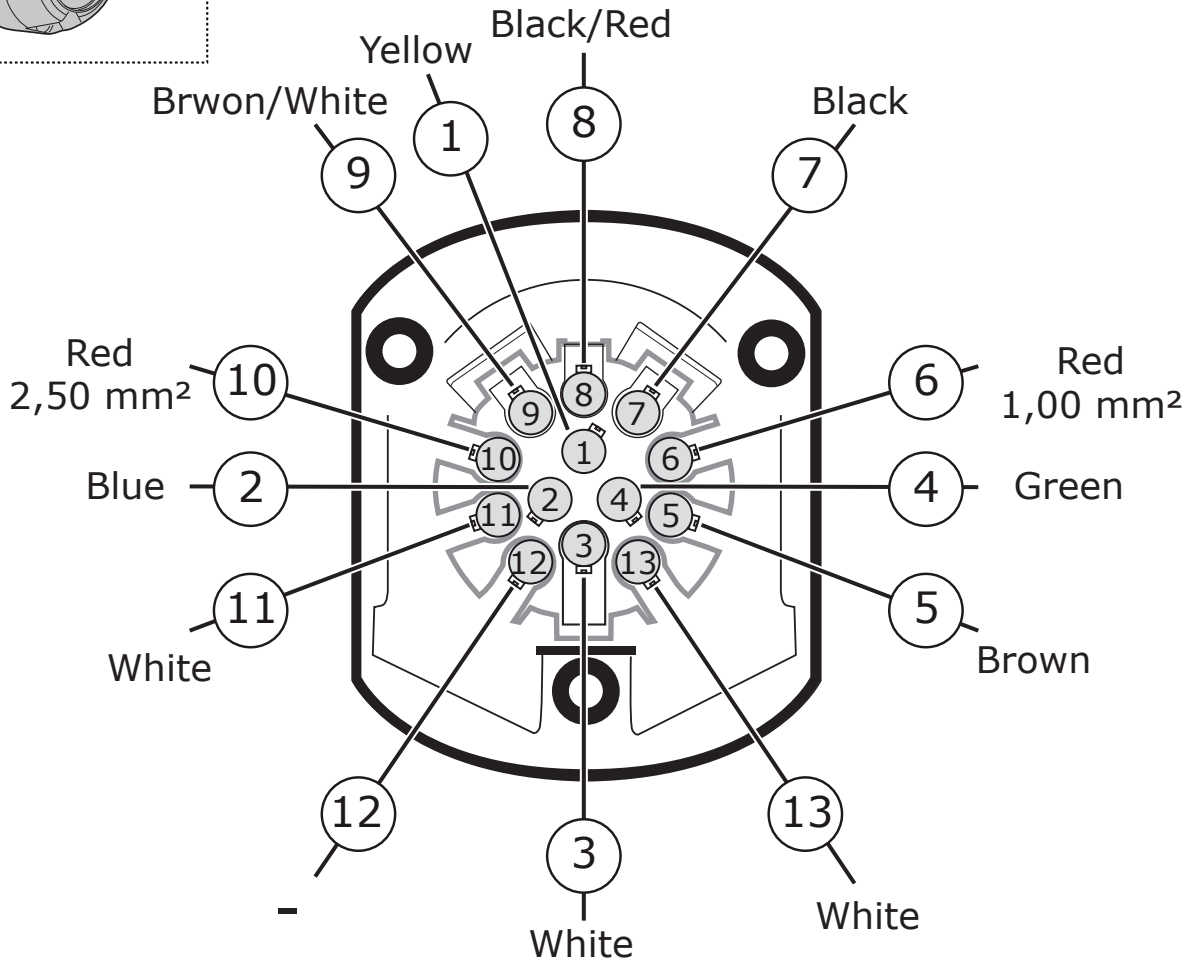
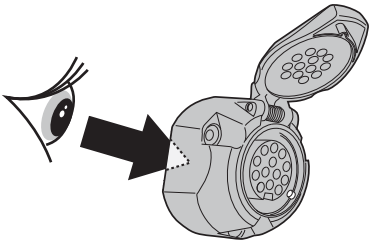
29



User guide

A graphic for technical support. It features a headset icon with the phone number 'CALL 07440 202 052'. A diagonal banner in the top left corner says 'TECHNICAL SUPPORT'. At the bottom is the ECS Electronics logo and contact information: 'MONDAY TO FRIDAY 08.00 - 11.00 am 12.00 - 05.00 pm ukts@ecs-electronics.com www.ecs-electronicsuk.co.uk'.

SOCKET CONNECTION



Socket connection

DIN/ISO 11446													
	1/L	2	3/31	4/R	5/58-R	6/54	7/58-L	8	9	10	11	12	13
Pmax	21W	21W		21W	52W	3x21W	52W	21W	180W/15Amp	180W/15Amp			
	Yellow	Blue	White	Green	Brown	Red 1,00 mm ²	Black	Black/Red	Brown/White	Red 2,50 mm ²	White	-	White