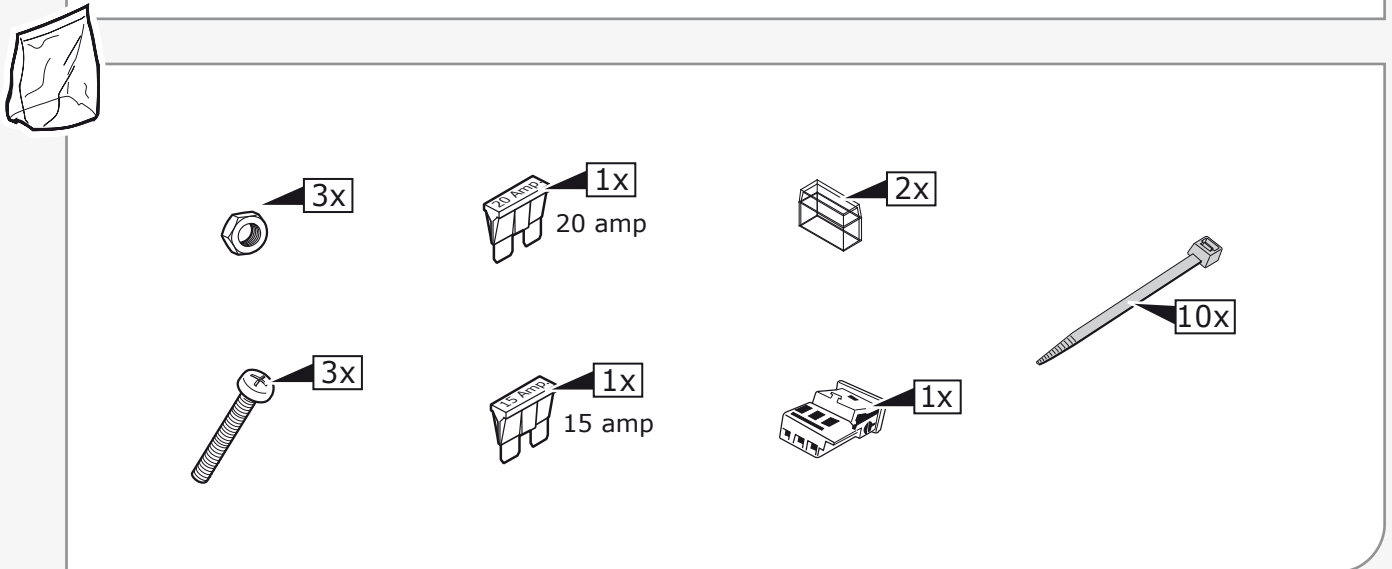
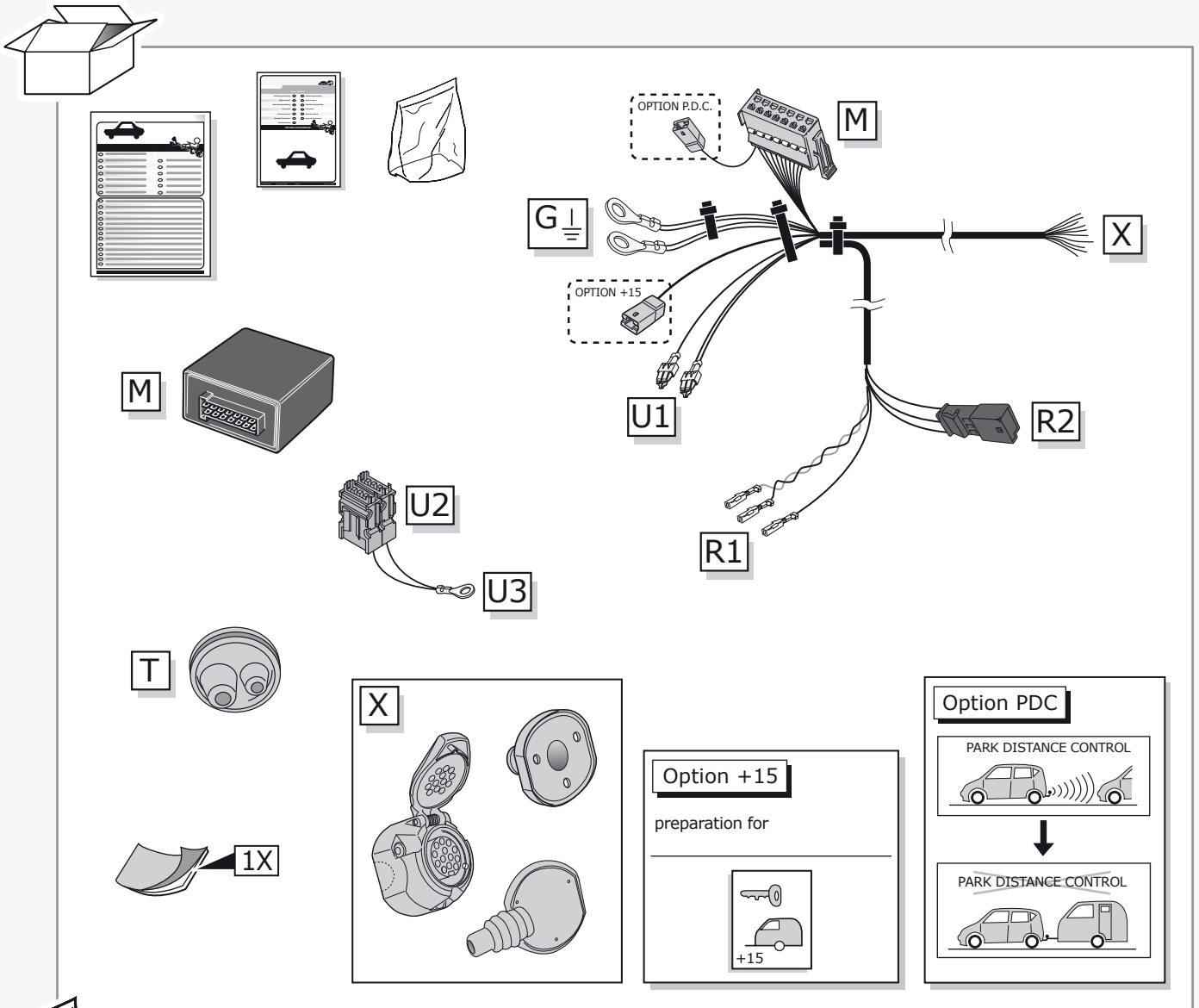


## AUDI A6 Limo / A6 Avant / A6 Allroad Partnr.: AU-030-D1U

- Fitting instructions electric wiring kit tow bar with 13-P socket up to DIN/ISO Norm 11446.
- We would expressly point out that assembly not carried out properly by a competent installer will result in cancellation of any right to damage compensation, in particular those arising by virtue of the product liability act.
- Contents of these kits and their fitting manuals are subject to alteration without notice, please ensure that these instructions are read and fully understood before commencing installation.
- Do not overload circuits; the maximum loads per connection are detailed in this manual.
- Attention! Before Installation, please read this manual carefully and inform your customer to consult the vehicle owners manual to check for any vehicle modifications required before towing.
- In the event of functional problems, troubleshooting must be limited to about 0.5 hours, contact the technical support:  
[ukts@ecs-electronics.com](mailto:ukts@ecs-electronics.com) / 07440 202 052.

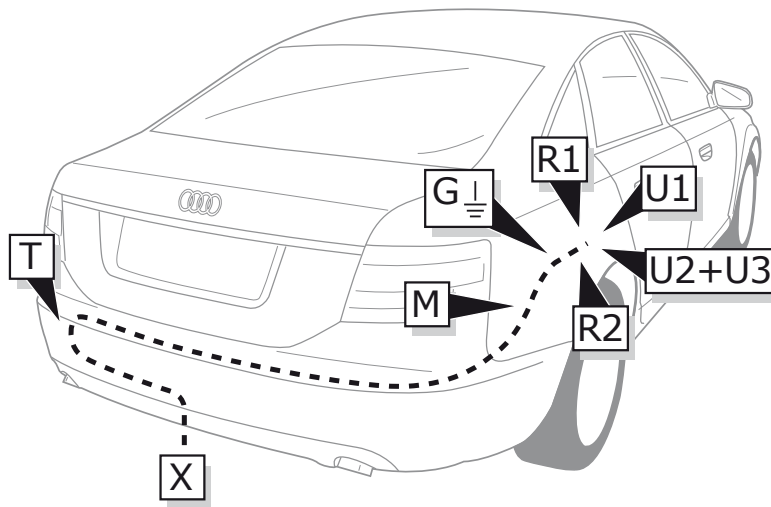


# Part list

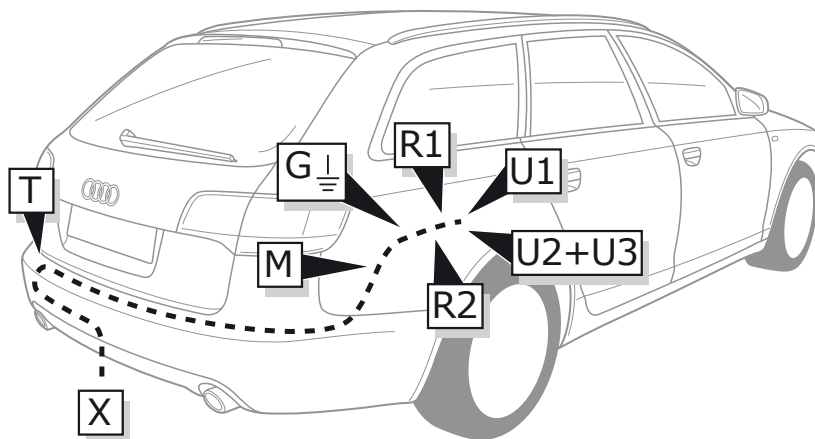


ROUTING

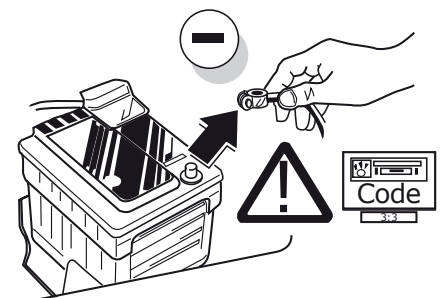
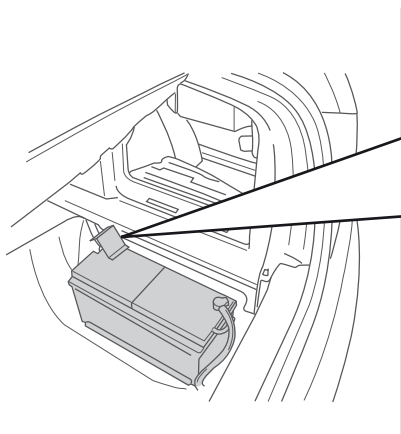
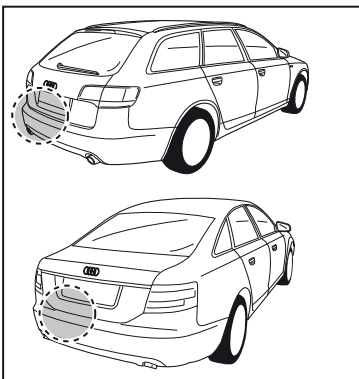
LIMO



AVANT & ALLROAD

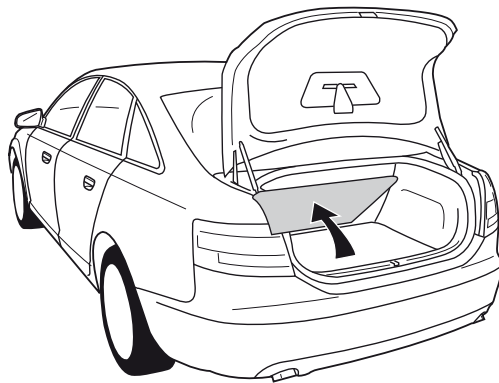


1



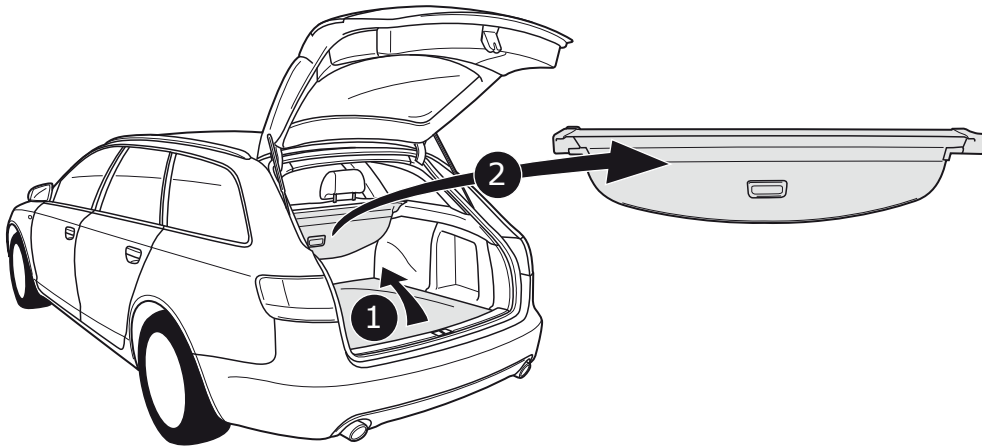
## LIMO

2



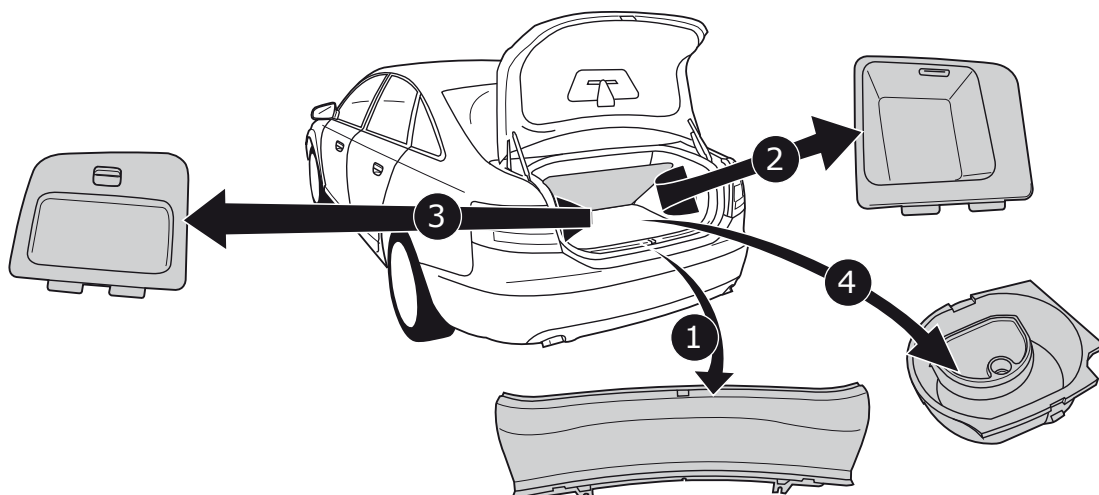
## AVANT & ALLROAD

3



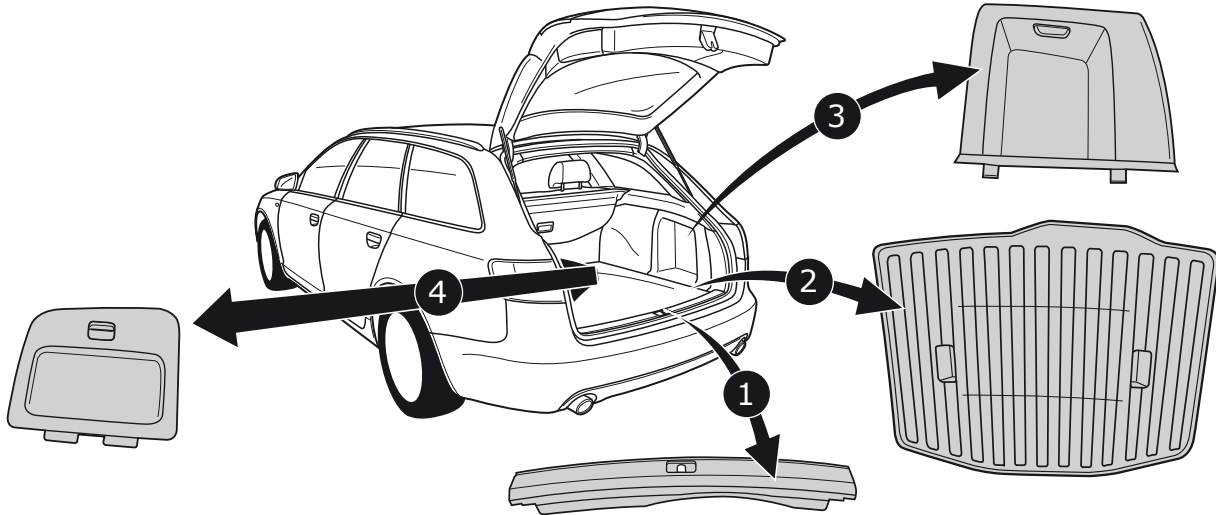
## LIMO

4



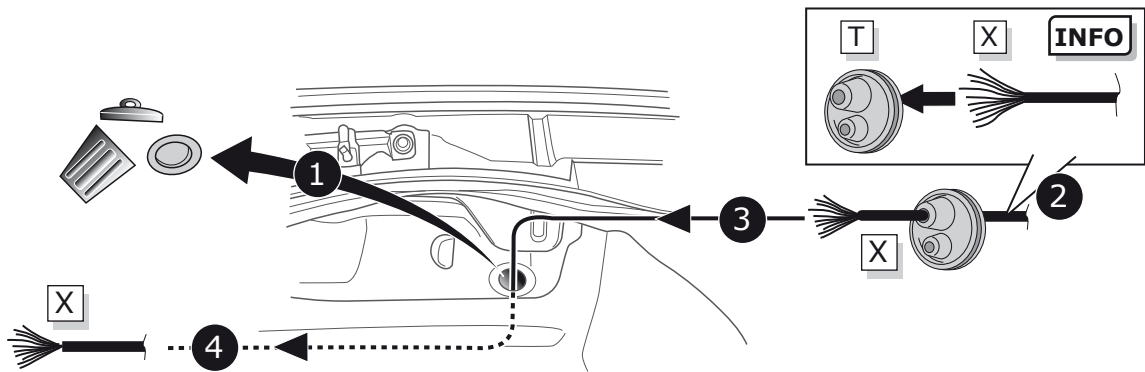
## AVANT & ALLROAD

5



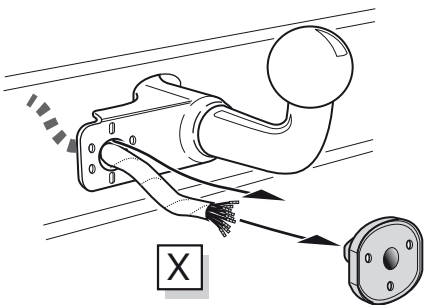
## LIMO & AVANT & ALLROAD

6

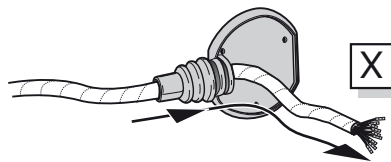


A

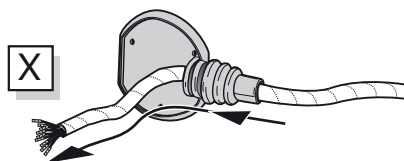
Option 1



Option 2



Option 3



INFO

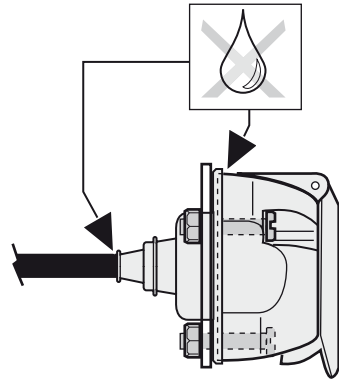
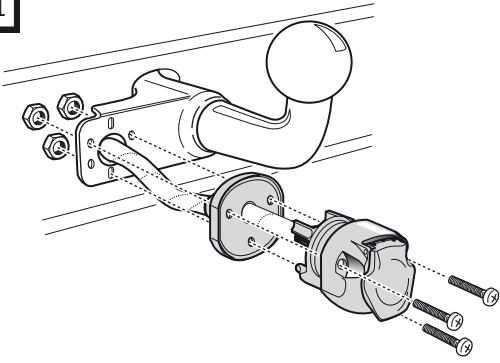
SOCKET CONNECTION



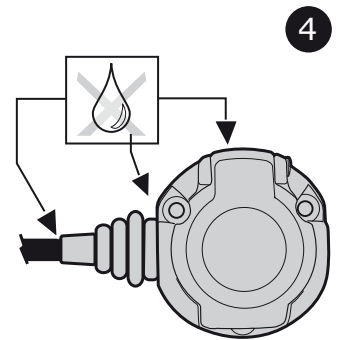
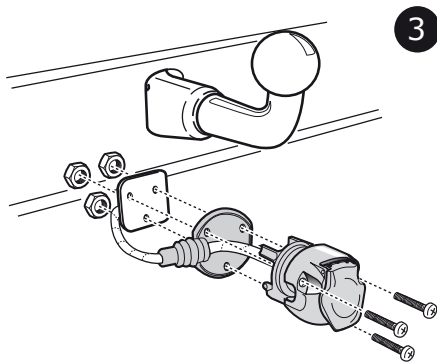
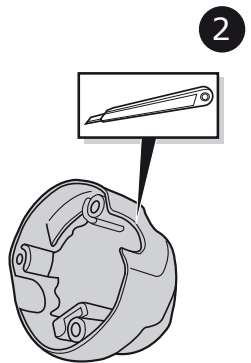
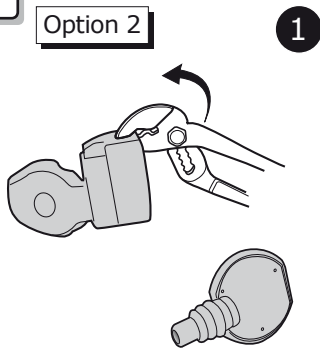
Pag. 12

# LIMO & AVANT & ALLROAD

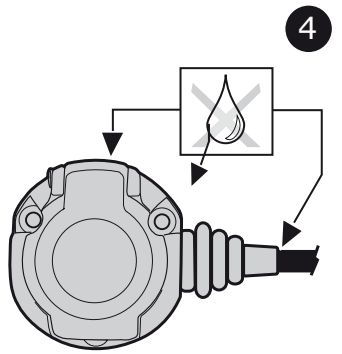
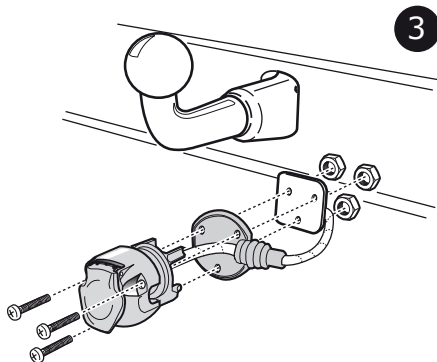
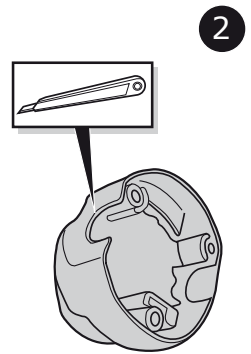
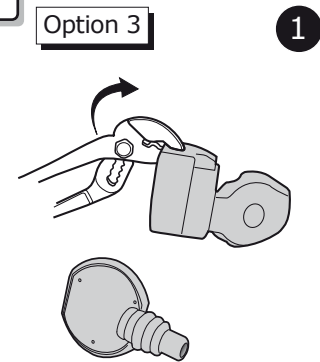
## B Option 1



## C Option 2

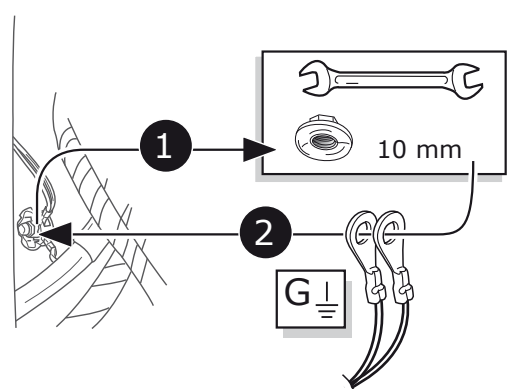
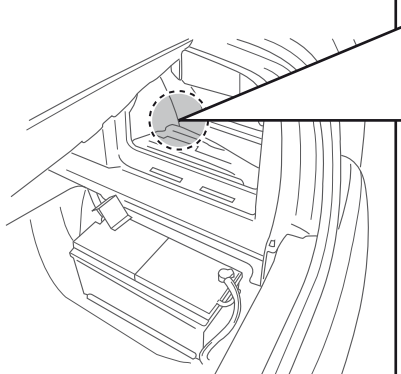
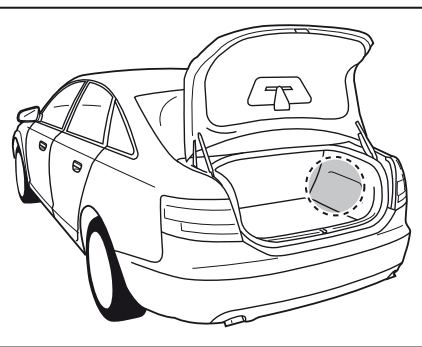


## D Option 3



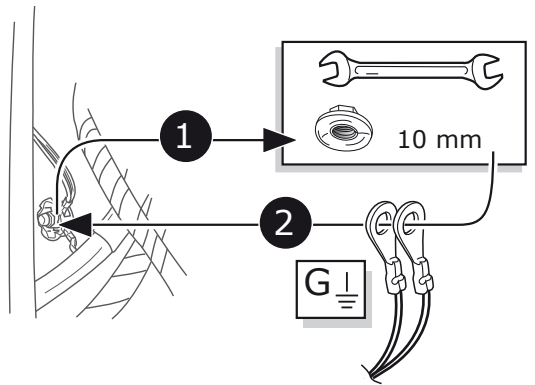
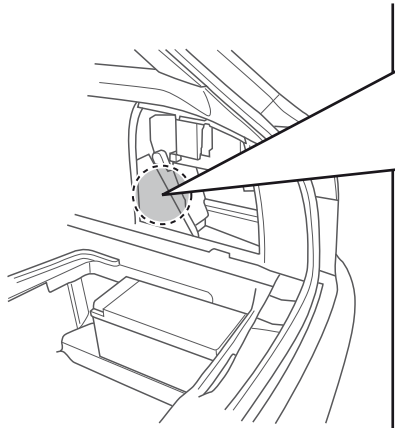
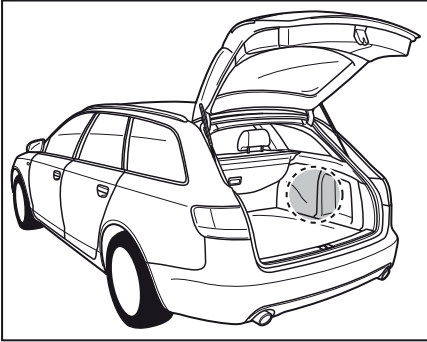
# LIMO

## 7



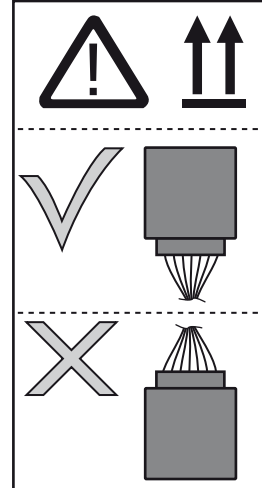
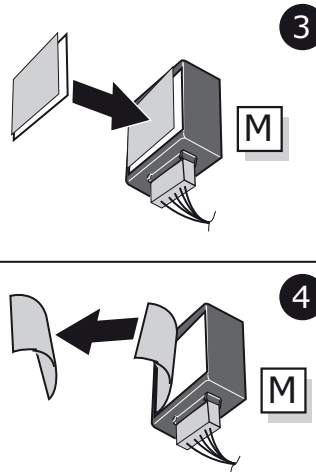
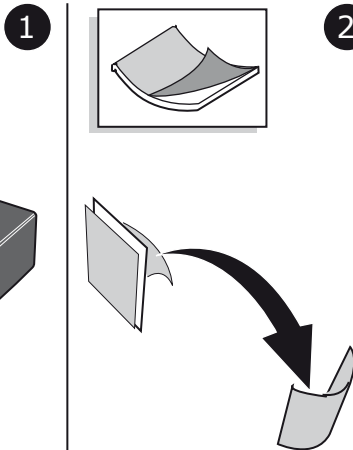
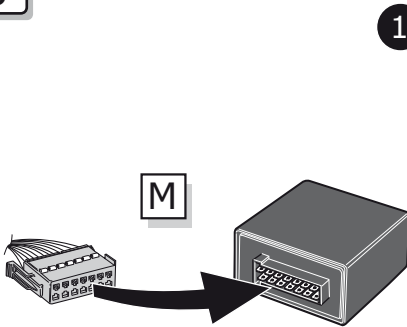
## AVANT & ALLROAD

8



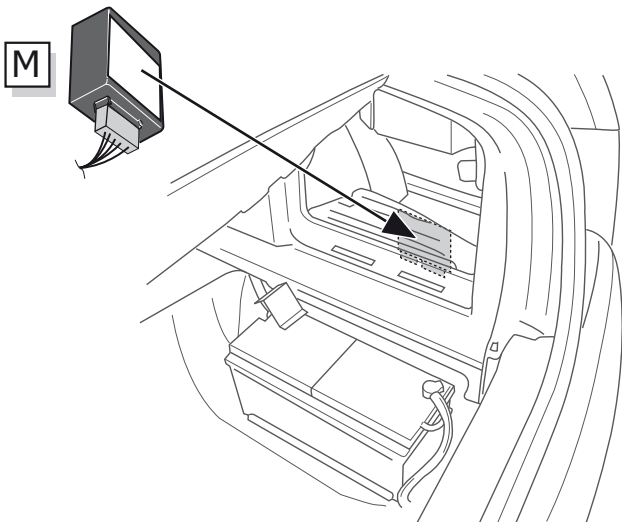
## LIMO & AVANT & ALLROAD

9



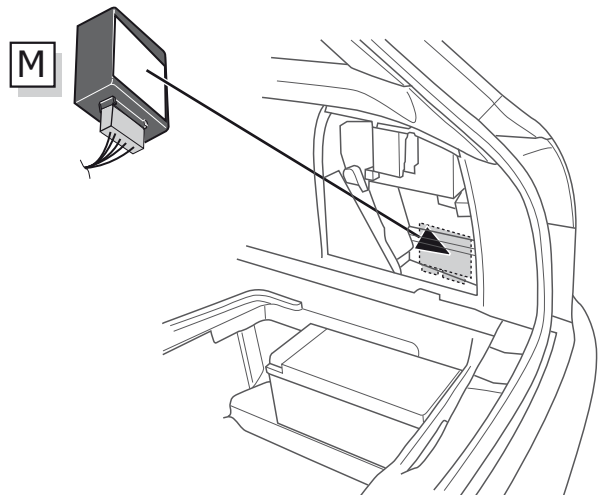
## LIMO

10



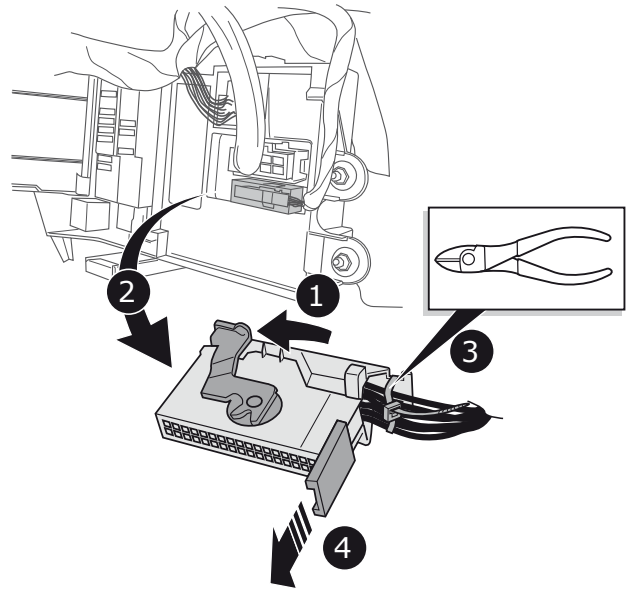
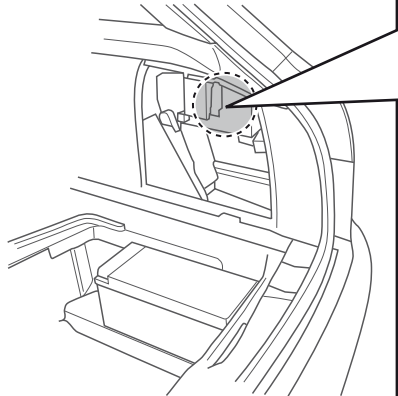
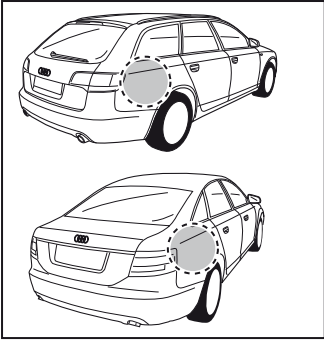
## AVANT & ALLROAD

11

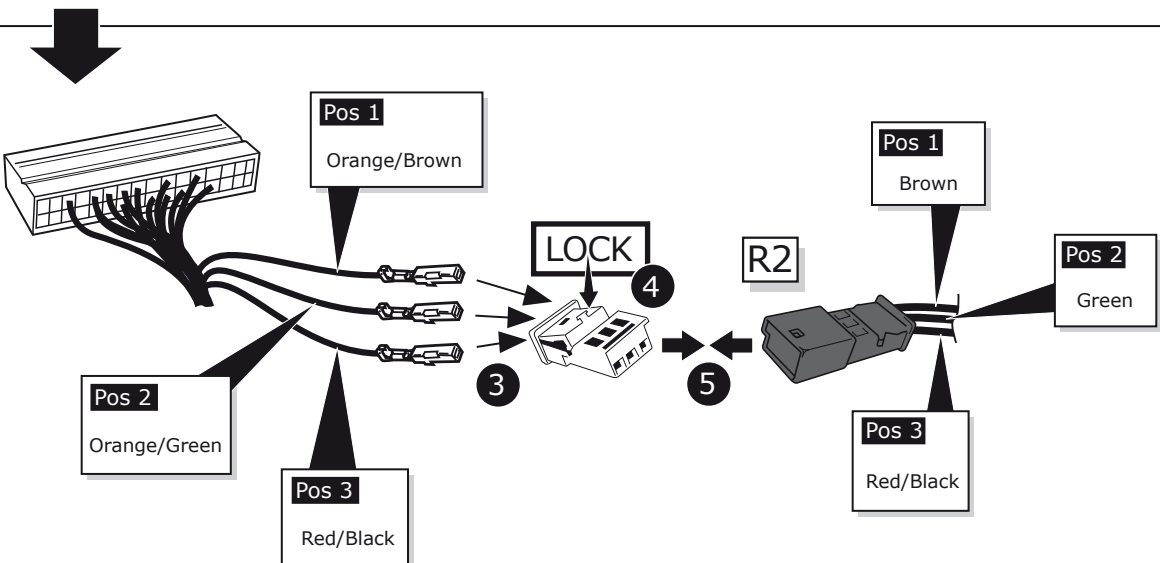
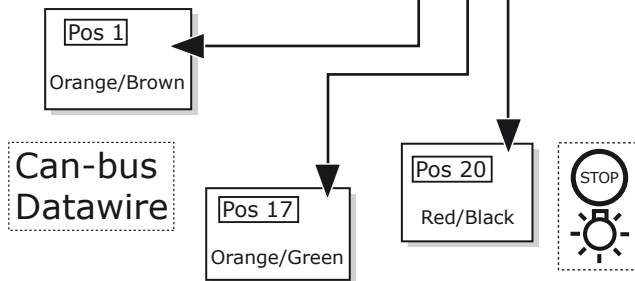
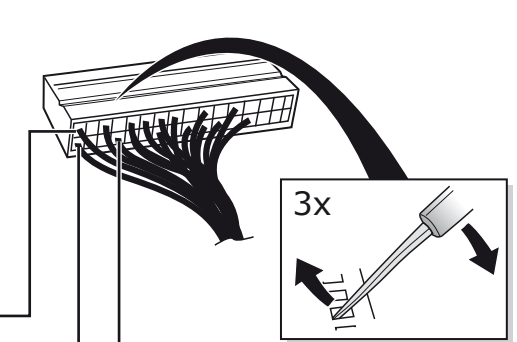
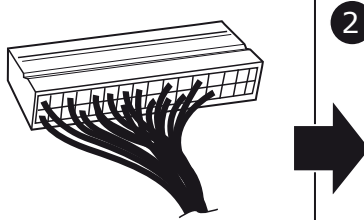
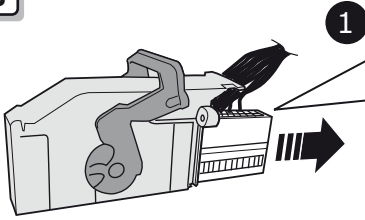


# LIMO & AVANT & ALLROAD

12



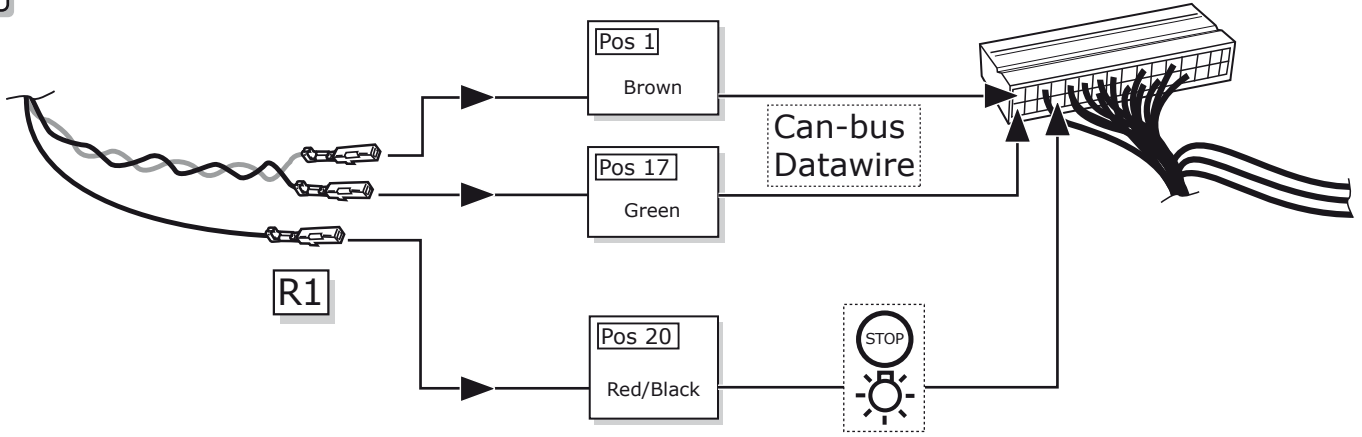
13



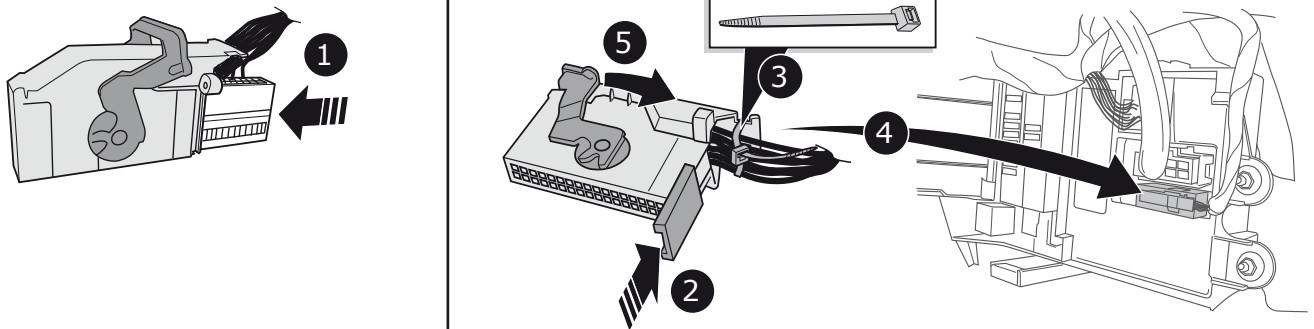


# LIMO & AVANT & ALLROAD

14

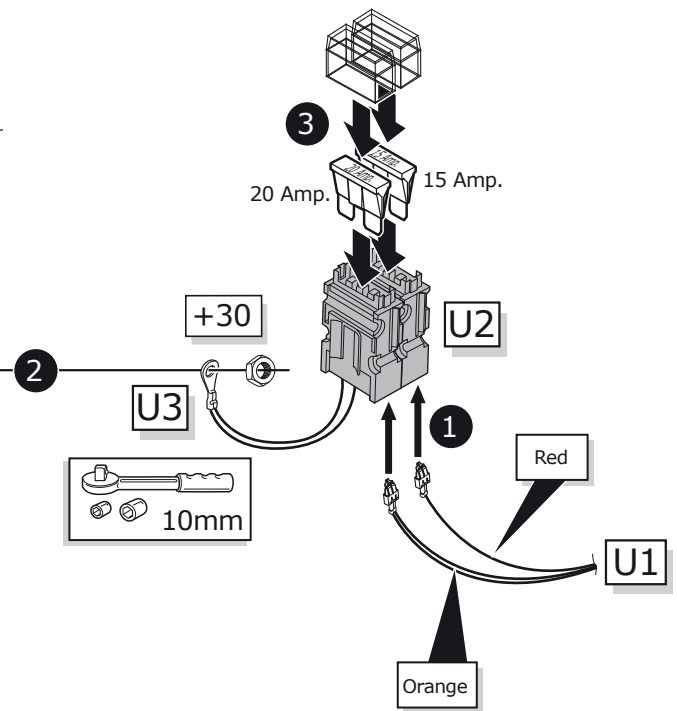
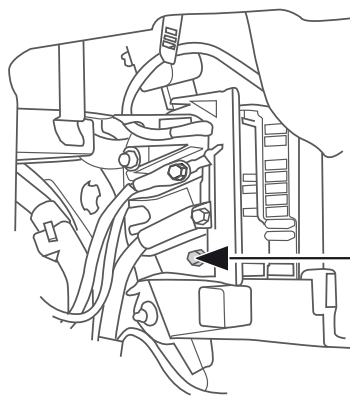
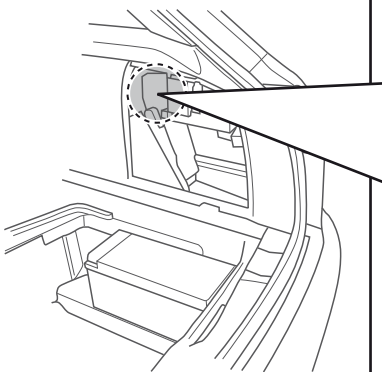
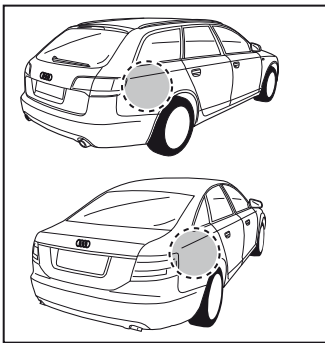


15



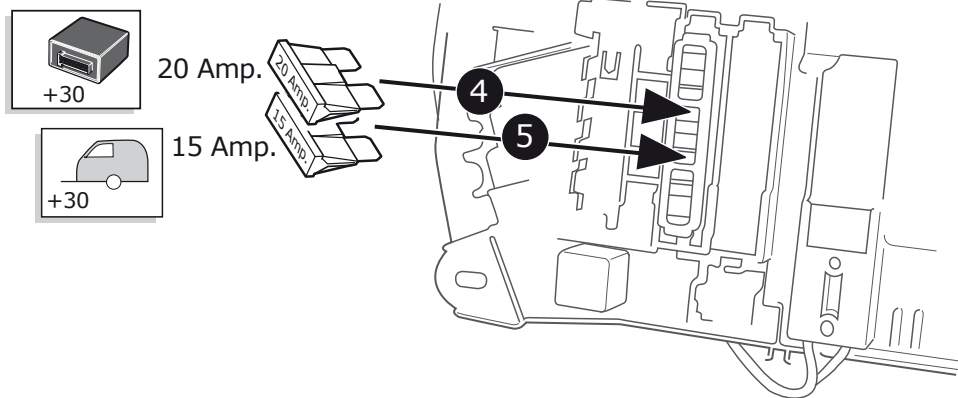
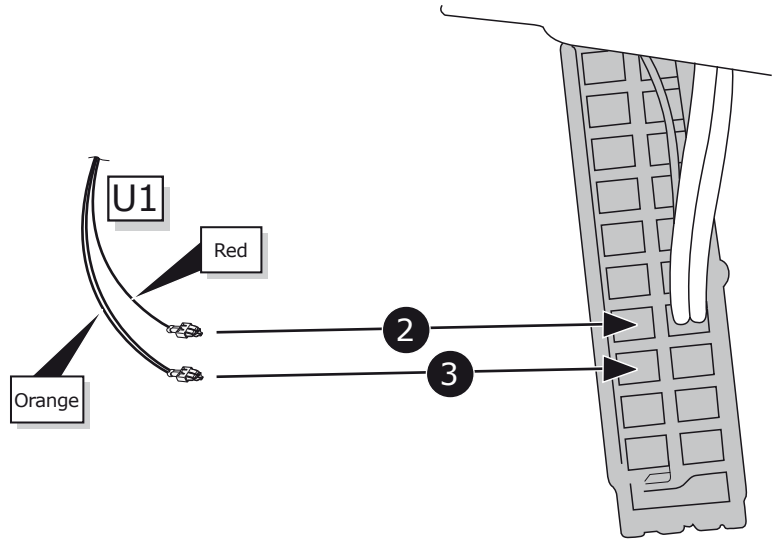
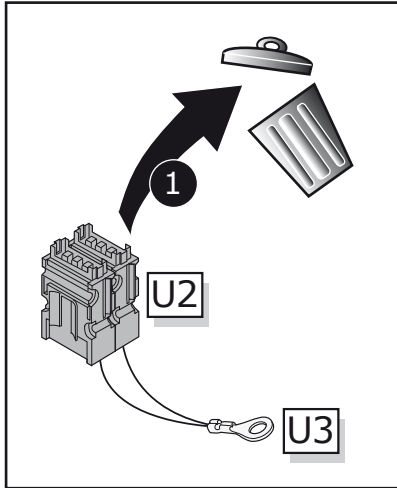
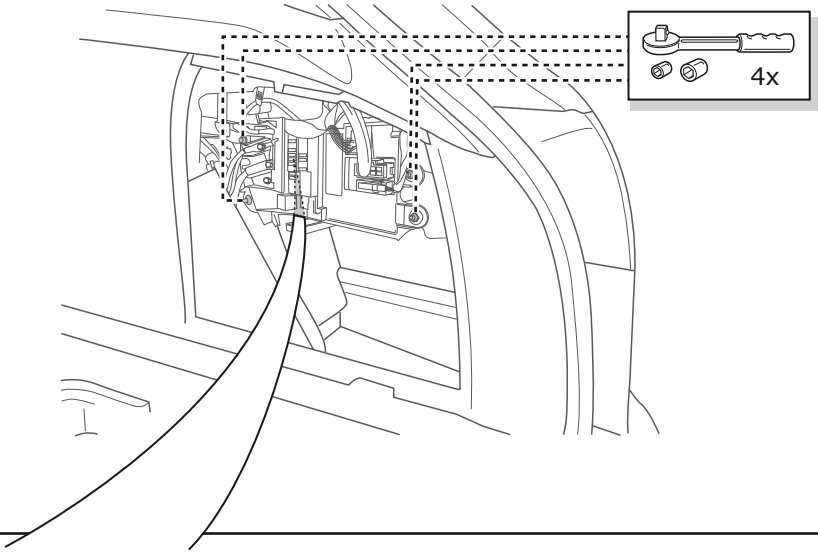
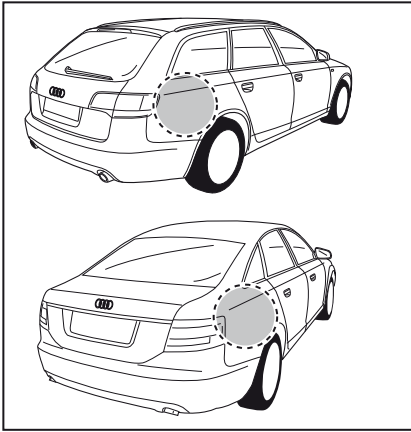
16

-2007



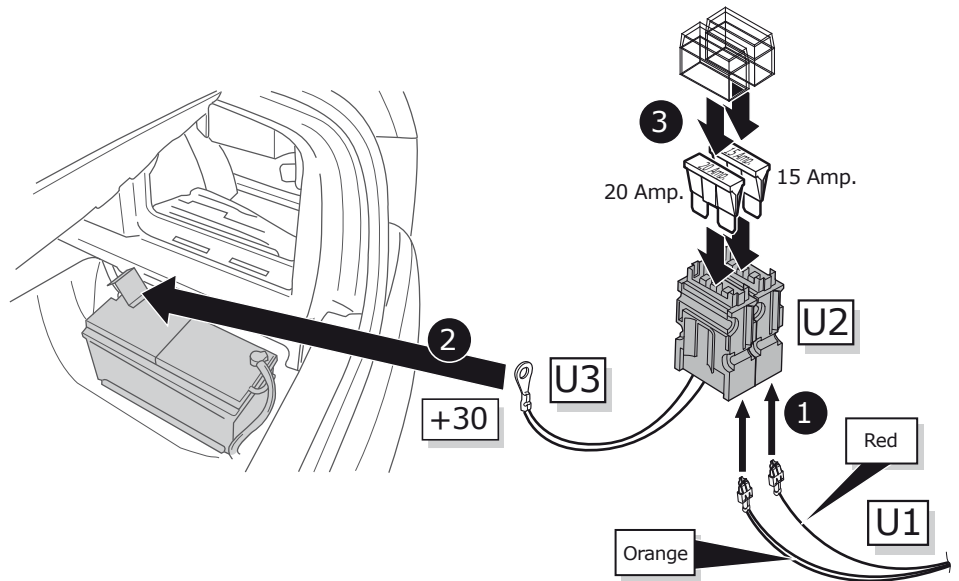
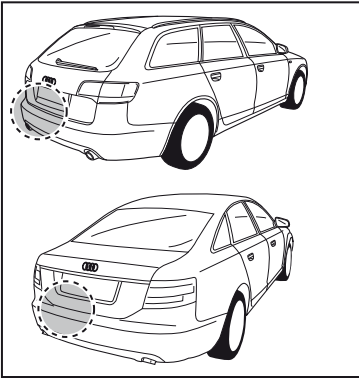
17

### 2007- OPTION 1: use free Positions

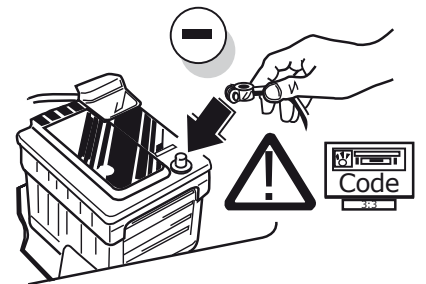
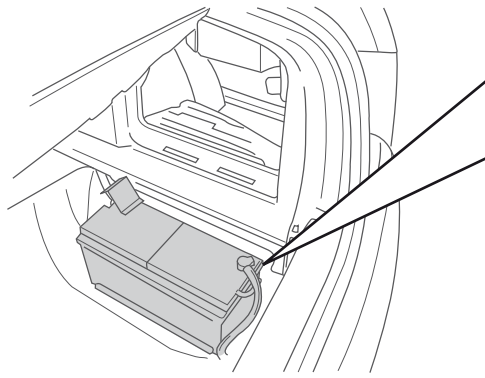
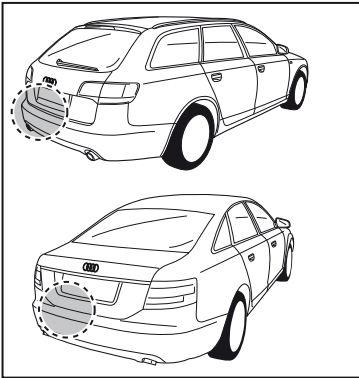


18

**2007- OPTION 2: if all Positions are taken**



19



20

A VAG Service Tester must be used to code the vehicle's Gateway with the additional function for the towing hitch at the dealer.

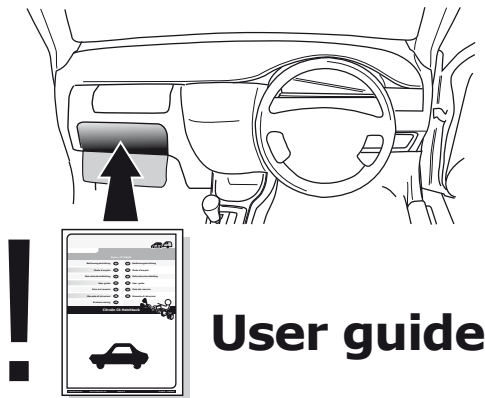
21

TEST ALL THE CIRCUITS WITH A TEST DEVICE WITH THE CORRECT POWER LOAD FOR EACH FUNCTION. A TEST DEVICE WITH LED'S CANNOT BE USED FOR THIS PURPOSE.

INFO

REINSTALL TRIM.

22



INFO

SOCKET CONNECTION

DIN/ISO 11446													
	1/L	2	3/31	4/R	5/58-R	6/54	7/58-L	8	9	10	11	12	13
Pmax	21W	21W		21W	42W	3x21W	42W	21W	180W/15Amp	180W/15Amp			
Colour	Black/White	Blue	Brown	Black/Green	Grey/Red	Black/Red	Grey/Black	Black	Red	Yellow	Brown	-	Brown